

Parts Manual



Ag-BAG

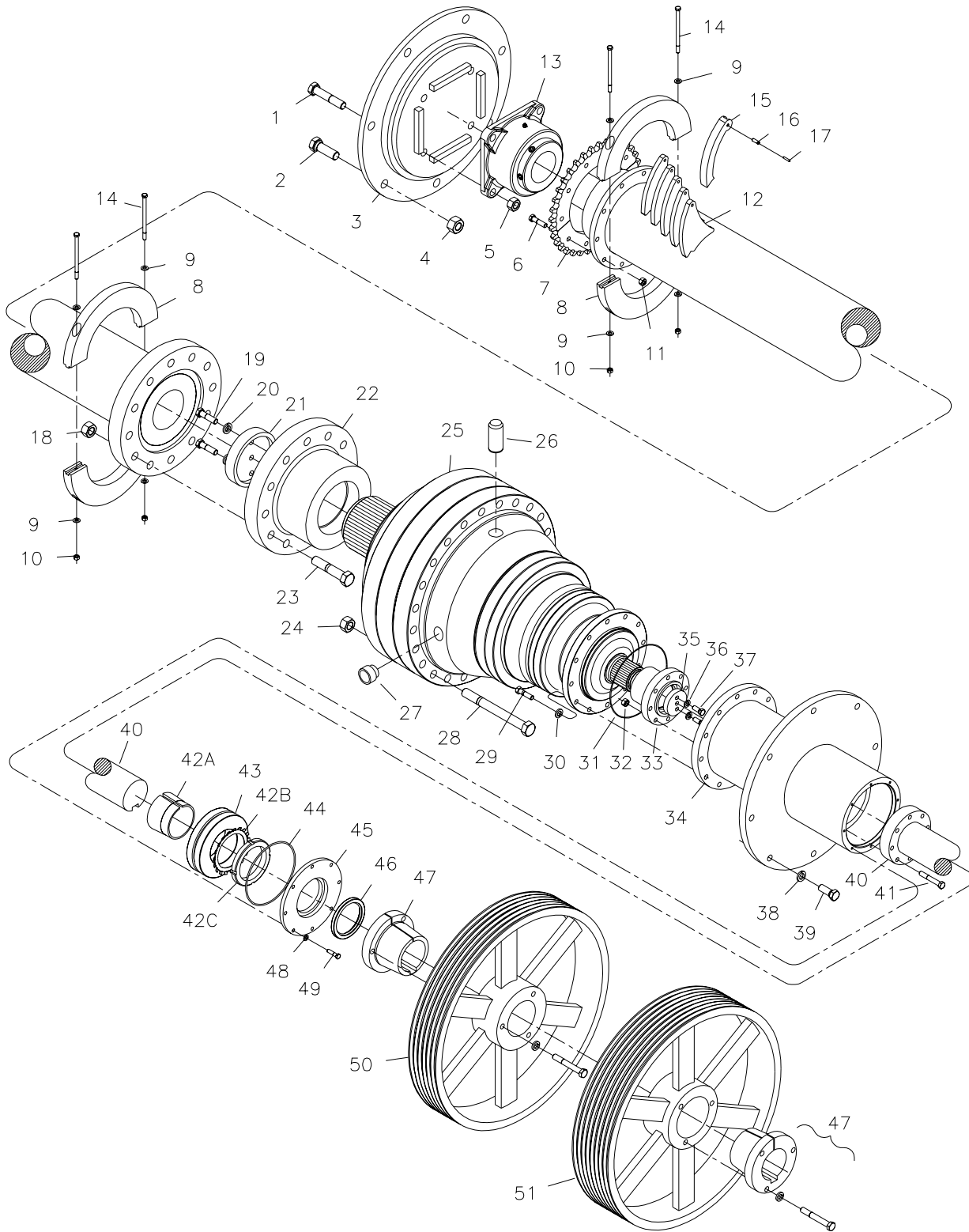
The parts manual is organized into groups, it is designed to make the locating of parts easier. The exploded drawings also show assembly paths. All parts listed are available from your authorized Ag-Bag® Dealer.

THIS PAGE INTENTIONALLY LEFT BLANK

PARTS

<i>ROTOR GROUP</i>	<i>4</i>
<i>FEED TABLE WHEEL</i>	<i>8</i>
<i>FEED TABLE - DRIVE END.....</i>	<i>10</i>
<i>FEED TABLE - IDLE END.....</i>	<i>11</i>
<i>BAG BOOM - 12'</i>	<i>14</i>
<i>HYPAC SYSTEM</i>	<i>16</i>
<i>WHEEL - BRAKE GROUP</i>	<i>20</i>
<i>WATER COOLING SYSTEM</i>	<i>24</i>
<i>ENGINE COWL.....</i>	<i>26</i>
<i>AIR INTAKE AND EXHAUST</i>	<i>28</i>
<i>HYDRAULIC SYSTEM - MAIN PUMP & FAN.....</i>	<i>30</i>
<i>HYDRAULIC SYSTEM - HPTO & PUMP DRIVE</i>	<i>32</i>
<i>BEATER BAR GROUP.....</i>	<i>36</i>
<i>FORAGE DAM - FEED TABLE MOUNT</i>	<i>38</i>
<i>TOWING SYSTEM.....</i>	<i>40</i>
<i>BAG PAN SYSTEM</i>	<i>42</i>
<i>TUNNEL CLEAN OUT SYSTEM.....</i>	<i>44</i>
<i>TUNNEL EXTENSION & CRADLE</i>	<i>46</i>
<i>STEERING</i>	<i>48</i>
<i>SPRAYER - 55 GALLON.....</i>	<i>50</i>
<i>GANDY APPLICATOR</i>	<i>52</i>
<i>OPERATOR'S PLATFORM</i>	<i>54</i>
<i>TANK COMPONENTS</i>	<i>56</i>

Rotor Group

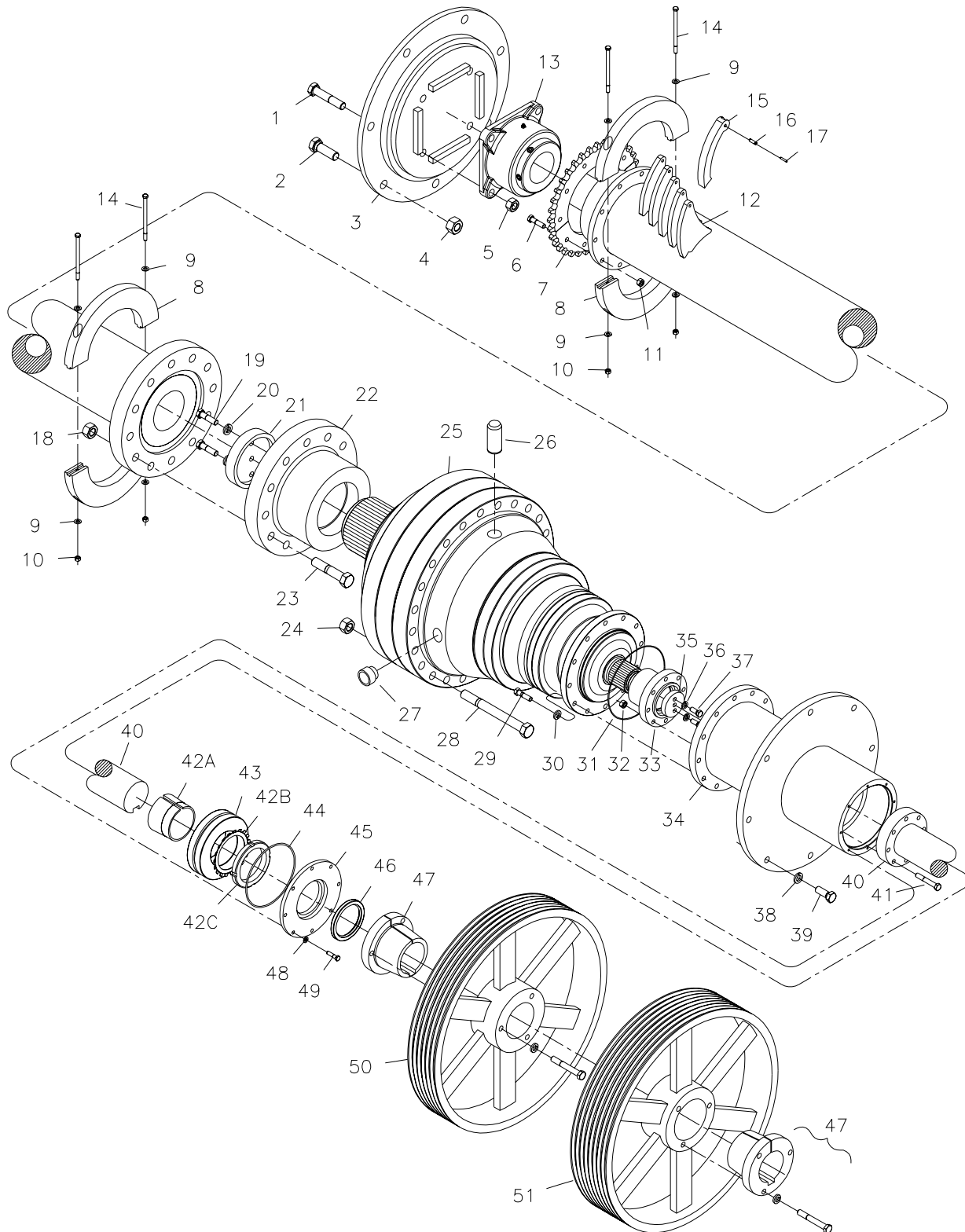


PARTS MANUAL

Rotor Group - Parts List

Item#	Part#	Description	Qty.	Remarks
1	ref.	Cap Screw, Hex Head	4	7/8-9 NC x 5-1/2 G8
2	ref.	Cap Screw, Hex Head	7	1-8 NC x 3 G8
3	1202032	Mount, Rotor Idle Bearing	1	
4	ref.	Nut, Hex Head	7	1-8 NC Nylock
5	ref.	Nut, Hex Head	4	7/8-9 NC Nylock
6	ref.	Cap Screw, Hex Head	10	1/2-13 NC x 2-1/4 G8
7	1120496	Sprocket, Beater Bar Drive - Rotor	1	
8	1202030	Seal, Rotor Cover	2	
9	ref.	Washer, Flat	8	3/8 SS
10	ref.	Nut, Hex Head	4	3/8-16 NC SS
11	ref.	Nut, Hex Head	10	1/2-13 NC Nylock
12	1202029	Rotor Tube Weldment, No Teeth	1	
	1202045	Rotor Complete		1
	1202046	Rotor Stub Shaft	1	
	1020049	Tooth, Rotor	116	
	1501666	Adhesive, rotor tooth cap install	2	
13	1510210	Bearing, 4-Bolt Flange	1	
14	ref.	Cap Screw, Hex Head	4	3/8-16 NC x 6 SS
15	1020021	Cap, rotor tooth - cast alloy	116	
16	ref.	Pin, slotted spring	116	3/8 x 1
17	ref.	Pin, slotted spring	116	5/16 x 1
18	ref.	Nut, Hex Head	12	1-8 NC Nylock
19	ref.	Cap Screw, Hex Head	2	M16 x 55
20	ref.	Washer, Spring	2	
21	ref.	Cap, Output Billet Retaining	1	
22	1202022	Billet Planetary Output	1	
23	ref.	Cap Screw, Hex Head	12	1-8 NC x 5 G8
24	ref.	Nut, Hex Head	18	1-8 NC Nylock
25	1520036	Planetary	1	
26	1502077	Breather, Oil	1	
27	1502076	Gauge, Sight - Fluid Level	1	
28	ref.	Cap Screw, Hex Head	18	1-8 NC x 10 G8
29	ref.	Cap Screw, Hex Head	12	9/16-12 NC x 2 G8
30	ref.	Washer, Spring	12	9/16
31	1501891	Seal, O-ring	1	
32	ref.	Nut, Hex Head	8	1/2-13 NC Nylock
33	1202020	Billet, Planetary Input	1	
34	1202035	Housing, Planetary Drive Shaft	1	
35	ref.	Cap, Input Billet Retaining	1	
36	ref.	Washer, Spring	2	
37	ref.	Cap Screw, Hex Head	2	M12 x 30
38	ref.	Washer, Spring	8	5/8
39	ref.	Cap Screw, Hex Head	8	5/8-11 x 2 G8
40	1202036	Shaft, Planetary Drive	1	

Rotor Group

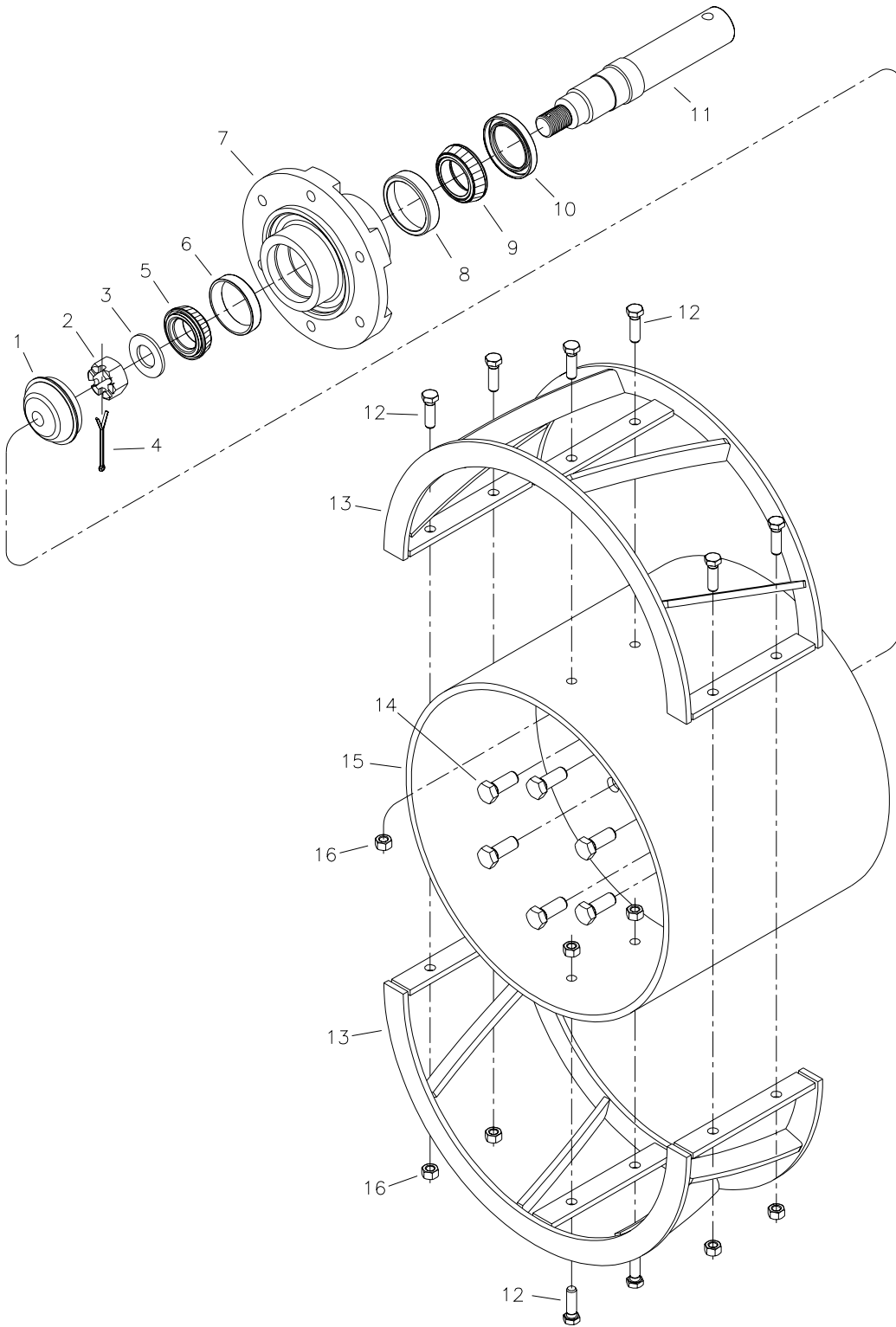


PARTS MANUAL

Rotor Group - Parts List

Item#	Part#	Description	Qty.	Remarks
41	ref.	Cap Screw, Hex Head	8	1/2-20 NF x 3-1/2 G8
42	1510206	Insert, Bearing	1	
43	1510205	Bearing, Spherical roller	1	
44	1501892	Seal, O-ring	1	
45	1202027	Cap, Planetary Drive Shaft Housing Input	1	
46	1510207	Seal, Oil	1	
47	1501200	Bushing, Driven Sheave	2	
48	ref.	Washer, Flat	8	3/8
49	ref.	Cap Screw, Hex Head	8	3/8-16 NC x 1-1/2 G8
50	1501199	Sheave, Driven - inner	1	
51	1501885	Sheave, Driven - outer	1	
52	1501105	Belt, Drive - 6 Rib	1	Not Shown
53	1501895	Belt, Drive - 8 Rib	1	Not Shown
54	1202034	Sheave, Drive 14 Groove W/bushing	1	Not Shown

Feed Table Wheel

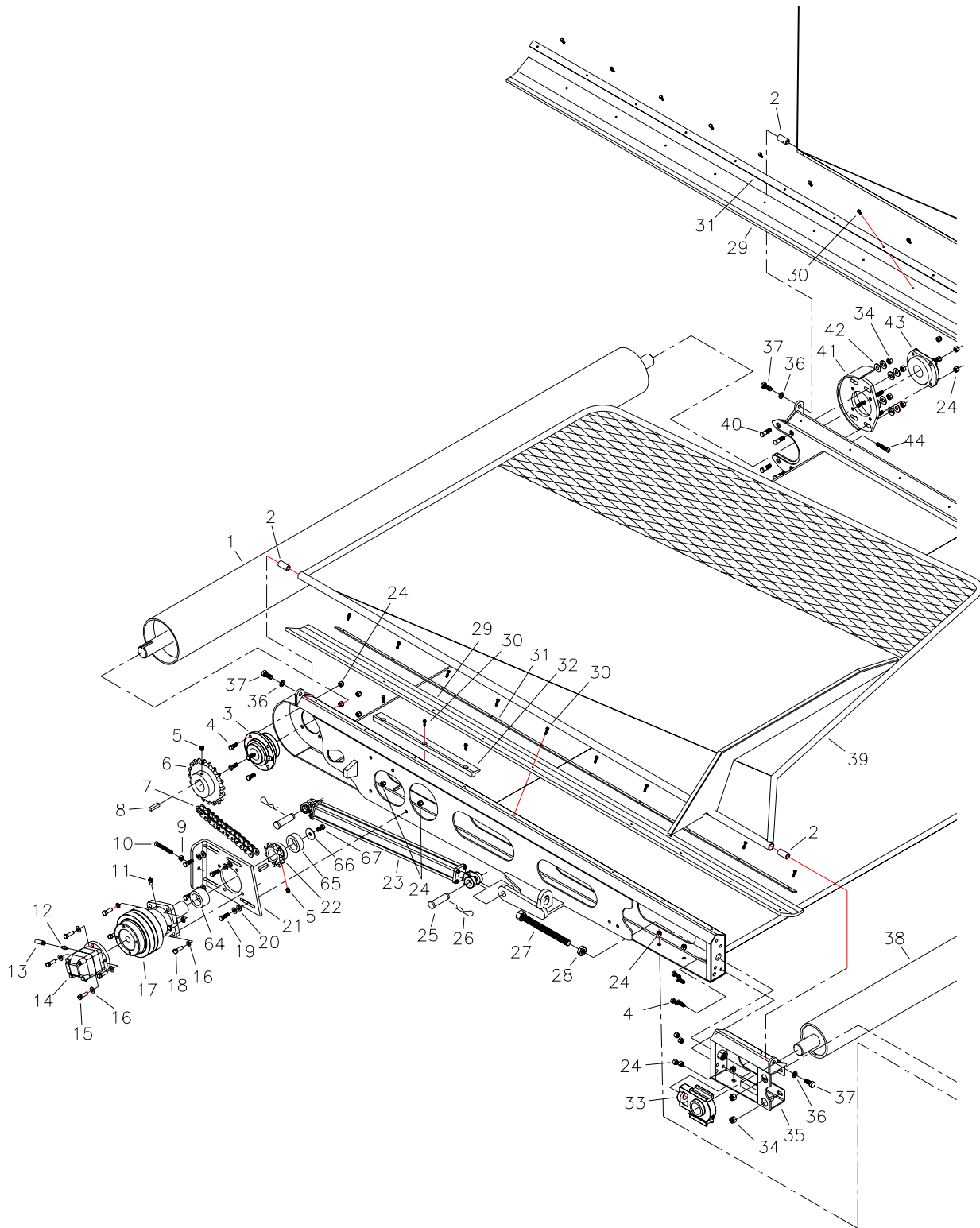


PARTS MANUAL

Feed Table Wheel - Parts List

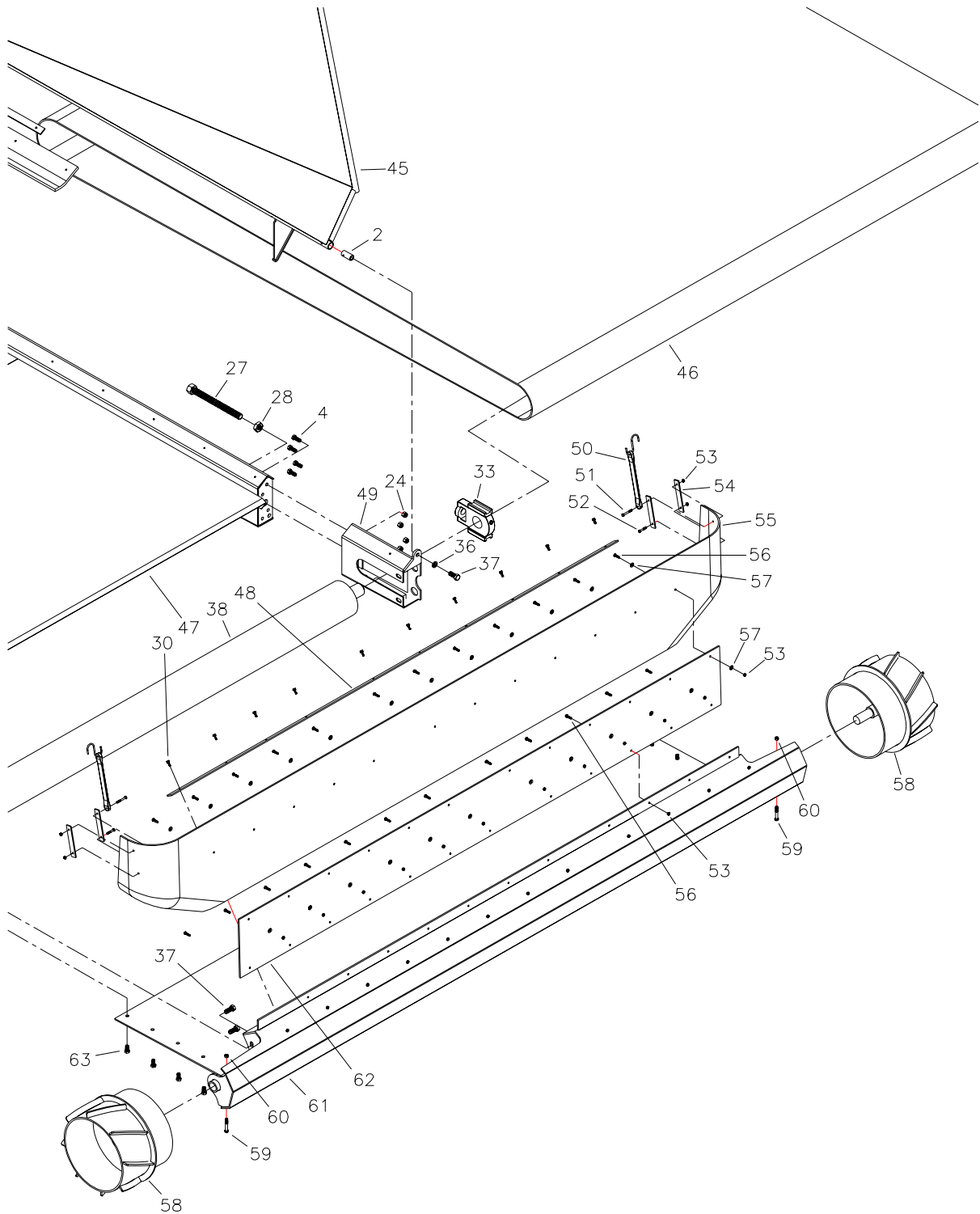
Item#	Part#	Description	Qty.	Remarks
1	1500070	Cap, Dust	1	
2	ref.	Nut	1	
3	1550211	Washer, Flat	1	
4	ref.	Hair Pin	1	
5	1510113	Bearing, Roller Cone	1	
6	1510093	Bearing, Roller Cup	1	
7	1501875	Hub, Wheel W888 Tapped Holes	1	Includes items 6 and 8
8	1510073	Bearing, Roller Cup	1	
9	1510183	Bearing, Roller Cone	1	
10	ref.	Grease Seal	1	
11	1080210	Axle, Feed Table Wheel	1	
12	1550059	Cap Screw, Hex	8	
13	1080207	Cleat Assembly, Feed Table Wheel	1	
14	1550257	Bolt, Hub	6	
15	1080208	Wheel, Feed Table	1	
16	1550129	Nut, Hex	8	
ref.	1080169	Feed Table Wheel Complete		
ref.	1010087	Kit, Hub Repair W888		Includes 1,2,3,4,5,9,10

Feed Table - Drive End



SEE PARTS LIST ON PAGES 12 AND 13

Feed Table - Idle End



PARTS MANUAL

Feet Table Drive and Idle End - Part List

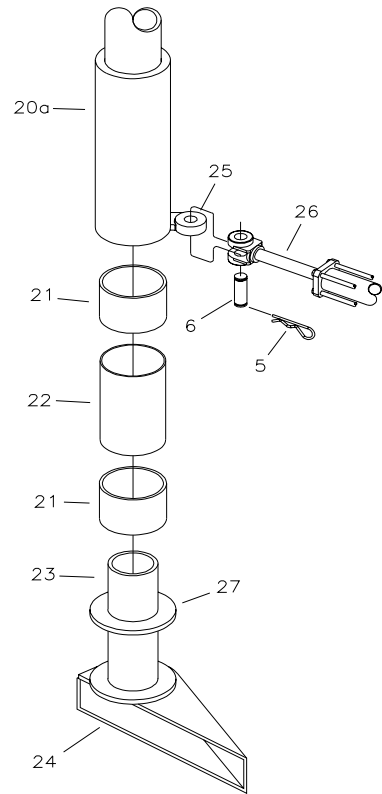
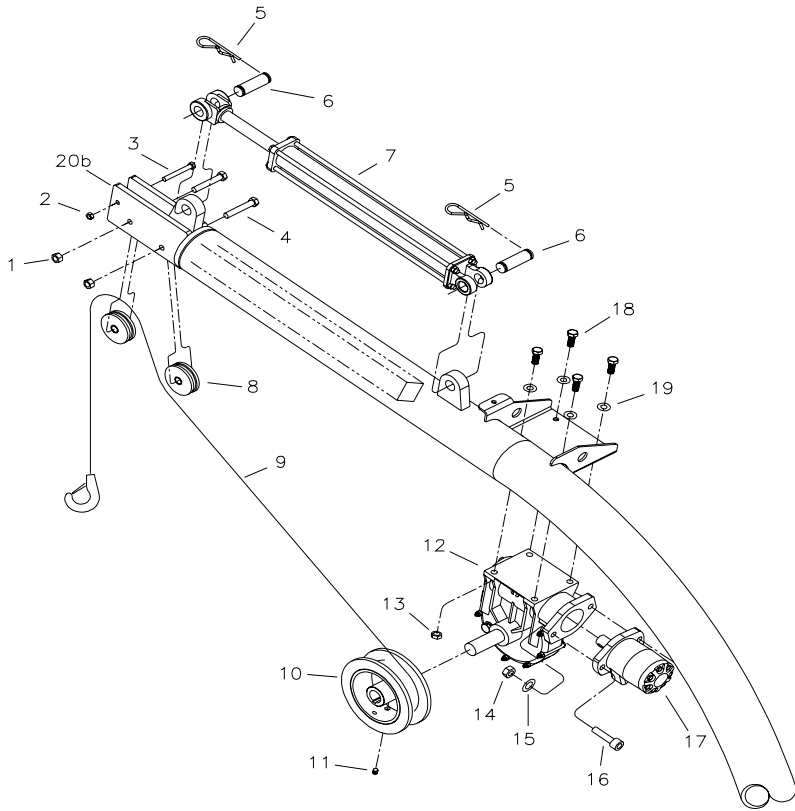
Item#	Part#	Description	Qty.	Remarks
1	1080139	Roller, Feed Table Drive	1	10 foot
2	1080050	Bushing, Feed Table Wing	4	
3	1510031	Bearing	1	
4	ref.	Cap Screw, Hex	12	1/2-13NC x 1-1/4 G5
5	ref.	Screw, Set	2	1/2
6	1520104	Sprocket	1	
7	1520341	Chain, Roller 100H Super	5.5'	
	1520342	Link, Connecting 100H	1	Not Shown
8	1080082	Key	2	
9	ref.	Nut, Hex	1	1/2-13NC
10	1550404	Cap Screw	1	
11	1540313	Fitting, Hydraulic	1	
	1100090	Kit, Vent - Feed Table Planetary	ref	Not Shown
12	1540566	Fitting, Hydraulic	1	
13	ref.	Hose Assembly	1	Motor Case Drain
14	1520763	Motor, Hydraulic	1	
15	ref.	Cap Screw, Hex	4	M12 x 1-1/2 x 30
16	ref.	Washer, Split Lock	8	1/2
17	1541844	Planetary	1	
18	ref.	Cap Screw, Socket	4	1/2-13NC x 1-3/4
19	ref.	Cap Screw, Hex	4	1/2-13NC x 1-1/2
20	ref.	Washer, Flat	8	1/2
21	1080202	Mount, Feed Table Hydraulic Motor	1	
22	1520762	Sprocket	1	
23	1540102	Cylinder, Hydraulic	2	
24	ref.	Nut, Hex	28	1/2-13NC lock
25	ref.	Pin, Cylinder Clevis	4	
26	ref.	Pin, Hair	4	
27	1080000	Adjuster, Feed Table Roller	2	
28	1550111	Nut, Hex Jam	2	
29	ref.	Skirt, Feed Table Side	2	
30	ref.	Screw, Hex Self Tapping	ref	1/4 x 3/4
31	1080054	Strip, Feed Table Skirting	2	
32	1080024	Guide, Feed Table Belt	ref	
33	1510251	Bearing	2	
34	ref.	Nut, Hex	8	5/8-11NC lock
35	1080180	Section, Feed Table Frame	1	
36	ref.	Washer, Split Lock	4	5/8
37	ref.	Cap Screw, Hex	8	5/8-11NC X 1-1/2 G5
38	1080137	Roller, Feed Table Idle	1	10 foot
39	1080204	Wing, Feed Table Extended	1	Left Side
40	1550102	Bolt, Hub	4	

PARTS MANUAL

Feet Table Drive and Idle End - Part List

Item#	Part#	Description	Qty.	Remarks
41	1080064	Mount, Feed Table Bearing Adjust	1	
42	ref.	Washer, Flat	8	5/8
43	1080182	Bearing	1	
44	1550101	Cap Screw	1	
45	1080203	Wing, Feed Table Extended	1	Right
46	1500449	Belt, Feed Table Continuous	1	
47	1208000	Frame	1	
48	1080206	Strip, Feed Table Skirting	1	
49	1120519	Section, Feed Table Frame	1	Right
50	1120007	Bungee	2	10 inch
51	ref.	Cap Screw	2	1/4-20NC x 2
52	ref.	Cap Screw	2	1/4-20NC x 1-1/2
53	ref.	Nut, Hex	ref	1/4-20NC lock
54	1080004	Bracket, Skirting Small	2	
55	ref.	Skirting, Front	1	10 feet
56	ref.	Cap Screw	ref	1/4-20NC x 1
57	ref.	Washer, Flat	ref	1/4
58	1080169	Wheel, Feed Table	2	
59	ref.	Cap Screw, Hex	2	3/8-16NC x 2-1/2
60	ref.	Nut, Hex	2	3/8-16NC
61	1208001	Bumper	1	
62	1120282	UHMW	1	
63	ref.	Cap Screw	8	1/2-13NC x 1
64	1080211	Bushing, outer long	1	
65	1080212	Bushing, inner - short	1	
66	1080215	Washer, Feed Table Planetary Shaft	1	
67	ref.	Cap Screw	1	1/2-20NF x 1-1/4

Bag Boom - 12'

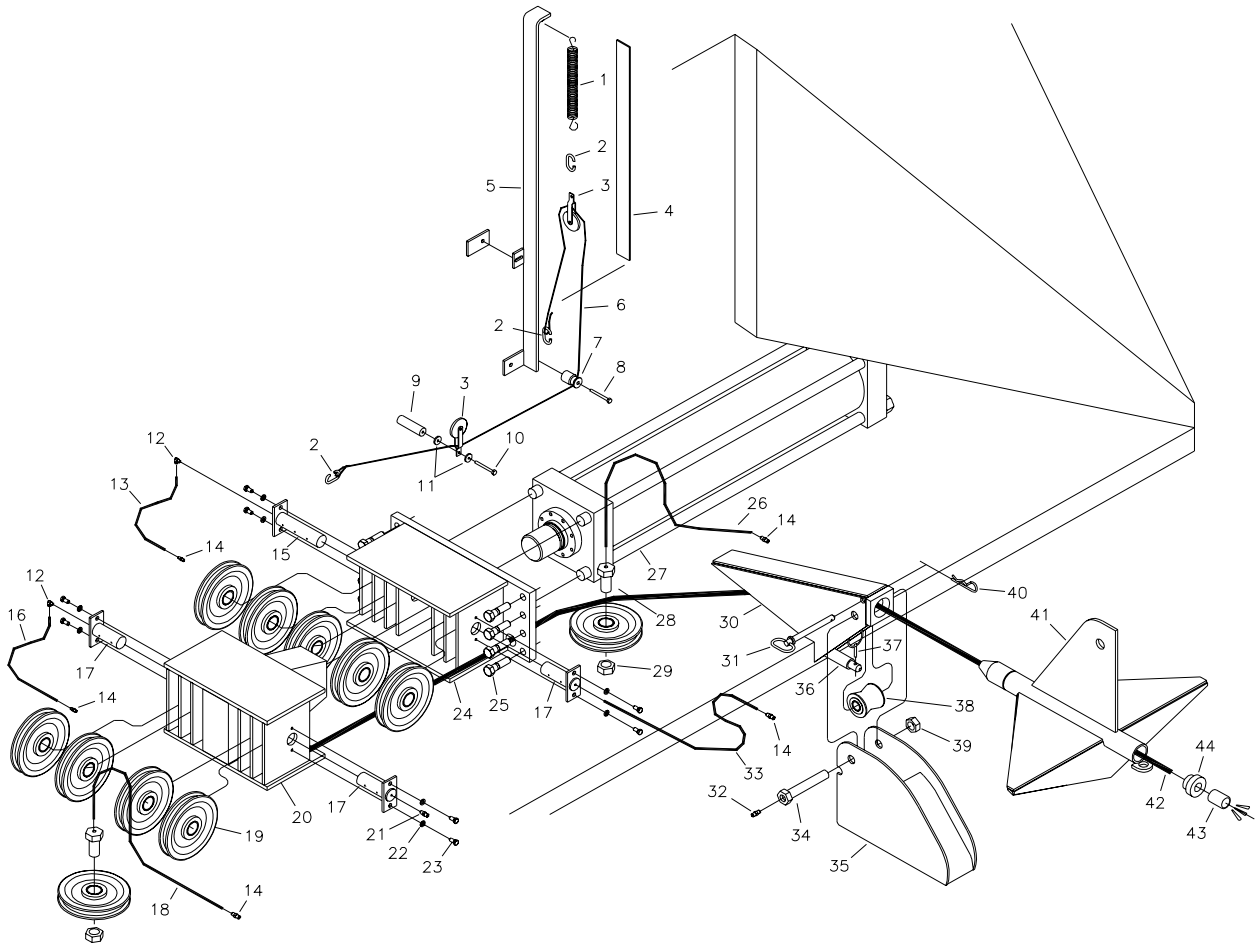


PARTS MANUAL

Bag Boom - Parts List

Item#	Part#	Description	Qty.	Remarks
1	Ref.	Nut	2	5/8-11nc
2	Ref.	Nut	1	5/16-18nc
3	Ref.	Capscrew, Hex	1	5/16-18nc x 2
4	Ref.	Capscrew, Hex	2	5/8-11nc x 3
5	Ref.	Pin, Hair Cotter	4	
6	Ref.	Pin, Cylinder	4	
7	1541739	Cylinder, Hydraulic	1	2 x 20
8	1060144	Pulley, Bag Boom	2	3" steel with bushing
9	1590055	Cable, With Hook	1	5/16 x 23 foot
10	1501622	Spool, bag Boom Cable	1	
11	Ref.	Screw, Set	1	3/8-16nc
12	1520339	Gearbox, Right Angle	1	
13	Ref.	Nut, Hex	4	7/16-14nc
14	Ref.	Nut, Hex	2	1/2-13nc
15	Ref.	Washer, Flat	2	1/2
16	Ref.	Capscrew, Socket	2	1/2-13nc x 2
17	1540904	Motor, Hydraulic 2 Bolt	1	
18	Ref.	Capscrew, Hex	4	7/16-14nc x 1-1/2
19	Ref.	Washer, Flat	4	7/16
20a	1060169	Bag Boom Frame w/extension	1	
20b	Ref.	Extension, Bag Boom	1	
21	Ref.	Bearing, Bronze	2	
22	Ref.	Sleeve, Bearing Spacer	1	
23	1060168	Mount, Bag Boom	1	12" and 14"
24	Ref.	Frame, Mounting	1	
25	Ref.	Bracket, Cylinder - Boom	2	
26	1540097	Cylinder, Hydraulic	1	2-1/2 x 10
27	1201023	Spacer, Bronze	1	5-inch

HyPac System

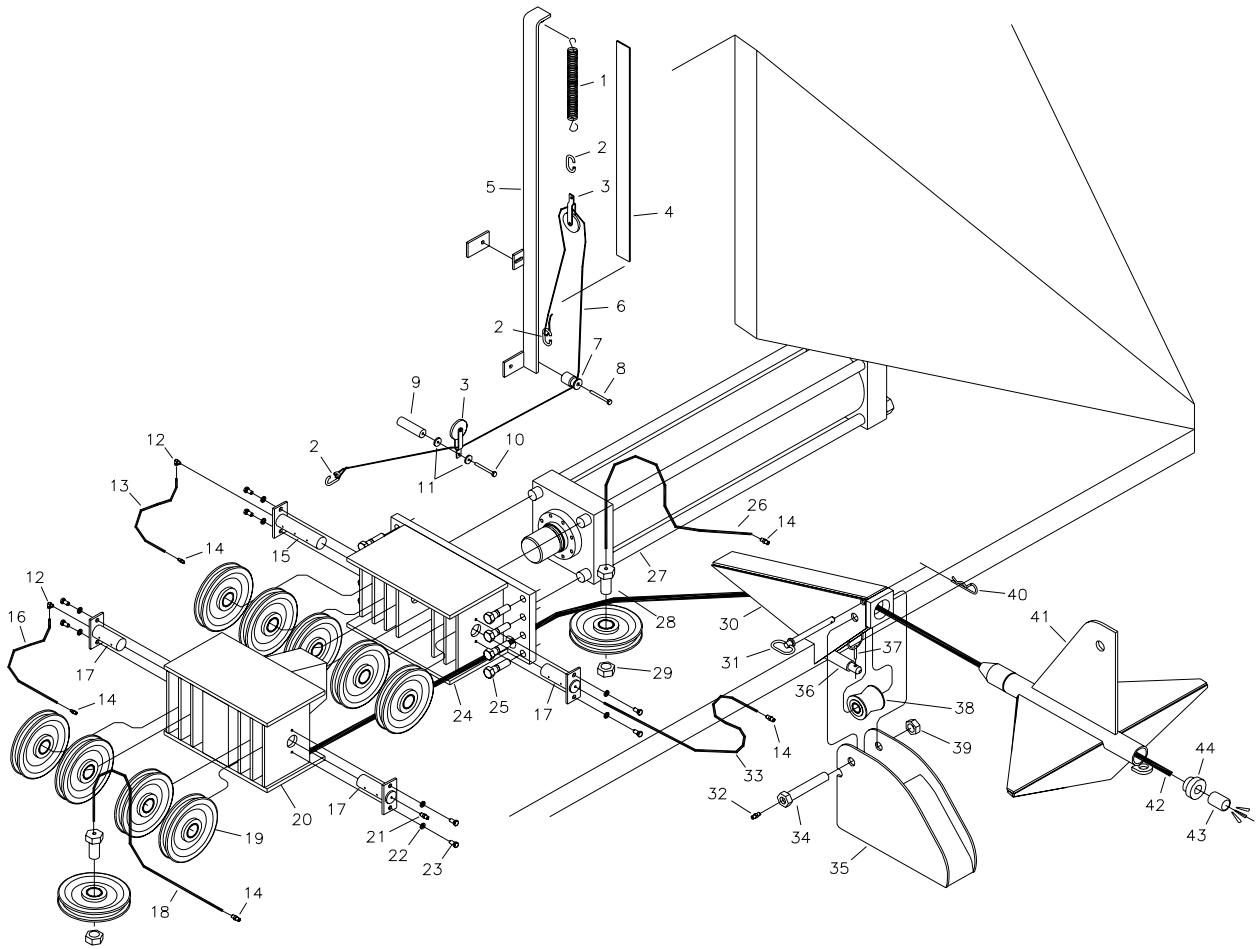


PARTS MANUAL

HyPac System - Parts List

Item#	Part#	Description	Qty.	Remarks
1	1501441	Spring, Extension	1	
2	1501440	Link, Quick	3	
3	1501439	Pulley	2	
4	1100078	Decal, Anchor Indicator	1	
5	1120500	Indicator Assembly, Anchor	1	
6a	1590049	Cable, Aircraft	1	30-feet
6b	1501442	Sleeve, Micropress crimped	2	
7	1120545	Roller, Anchor Indicator	1	
8	ref.	Cap Screw, Hex Head	1	1/4-20NC x 2-1/2
9	ref.	Extension, Pulley	1	
10	ref.	Cap Screw, Hex	1	1/4-20NC x 2
11	ref.	Washer, flat	2	1/4
12	1540453	Fitting, Hydraulic	2	
13	ref.	Grease Whip	1	48-inches
14	ref.	Grease Zerk	5	1/8 FNPT
15	1030090	Pin, Anchor Cylinder - long	1	
16	ref.	Grease Whip	1	24-inches
17	1030091	Pin, Anchor Cylinder - short	3	
18	ref.	Grease Whip	1	18-inches
19	1060156	Pulley, Anchor Cylinder	11	
20	1206079	Cylinder, Head	1	
21	ref.	Grease zerk	4	1/8 MNPT
22	ref.	Washer, Spring Lock	8	3/8
23	ref.	Cap Screw, Hex Head	8	3/8-16NC x 3/4
24	ref.	Cylinder, Mount	1	
25	ref.	Cap Screw, Hex Head	8	3/4-10NC x 2-3/4
26	ref.	Grease Whip	1	38-inches
27	1541802	Cylinder, Hydraulic Tie Rod	1	
28	1060163	Pin, Anchor Cylinder Outlet Pulley	2	
29	ref.	Nut, Hex	2	1-8NC Lock
30	ref.	Access Plate Parts	2	
30a	ref.	Side Plate - access	ref	
30b	ref.	Top Plate - access	ref	
30c	ref.	Seat, Anchor	ref	
31	1550172	Pin	2	
32	ref.	Grease Zerk	2	1/4-28
33	ref.	Grease Whip	1	30-inches
34	1206076	Bolt, Anchor Fairlead	2	

HyPac System

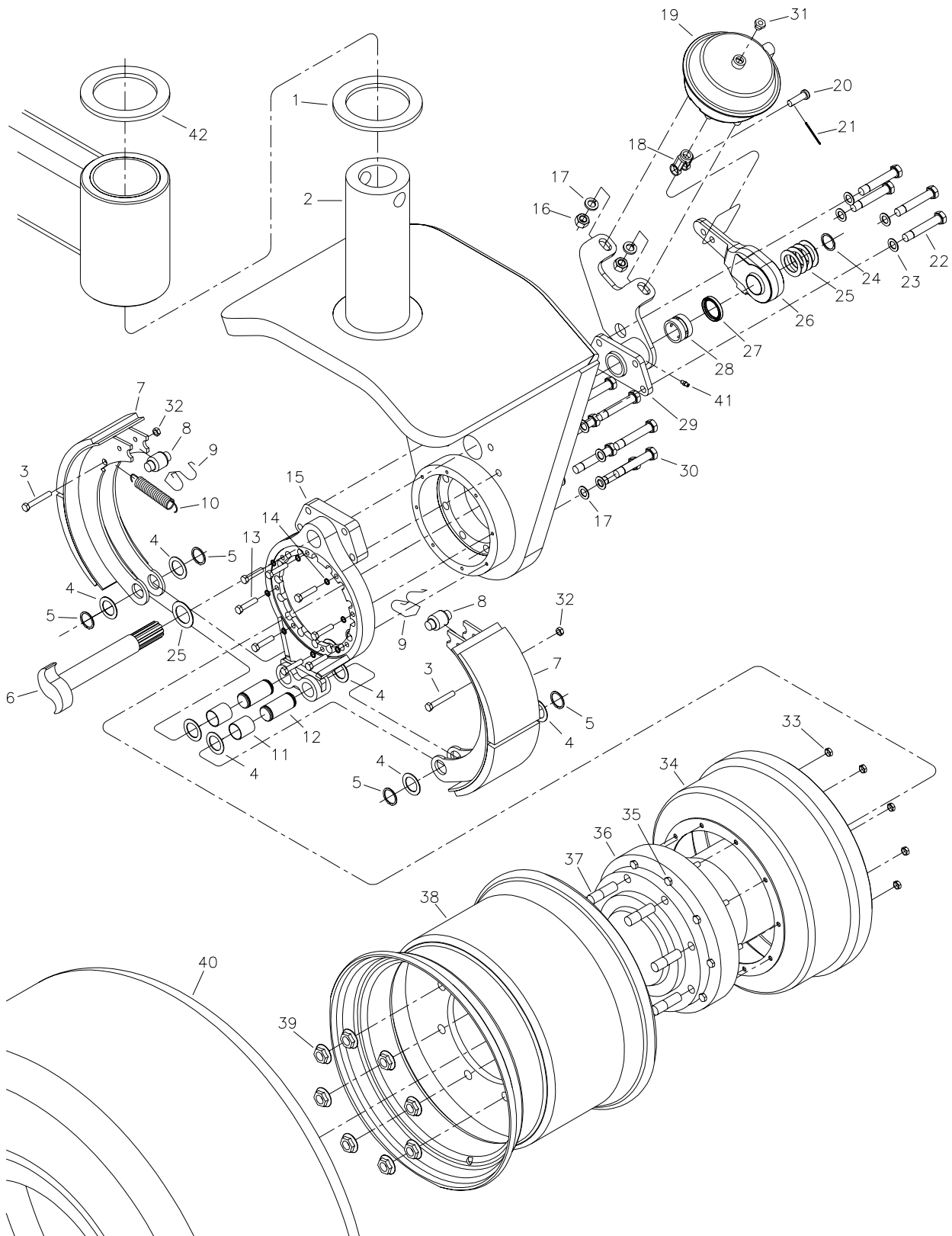


PARTS MANUAL

HyPac System - Parts List

Item#	Part#	Description	Qty.	Remarks
35	1030093	Kit, Anchor Support	2	bolt, nut, shaft and block
36	ref.	Shaft, Anchor Support lock	2	
37	1550184	Pin, snap	2	
38	1030080	Fairlead, roller	2	
39	ref.	Nut, Hex	2	1-8NC Jam Lock
40	ref.	Pin, Hair	2	
41	1030084	Anchor	2	30-inch
	1030073	Anchor	2	27-inch
42a	1590058	Cable, Right - blank ends	1	5/8 x 34ft
42b	1590059	Cable, Left - blank ends	1	5/8 x 30ft not shown
43	1501401	Cable, Quick Knob	2	
44	1030095	Retainer, Cable Quick Knob	2	

Wheel - Brake Group



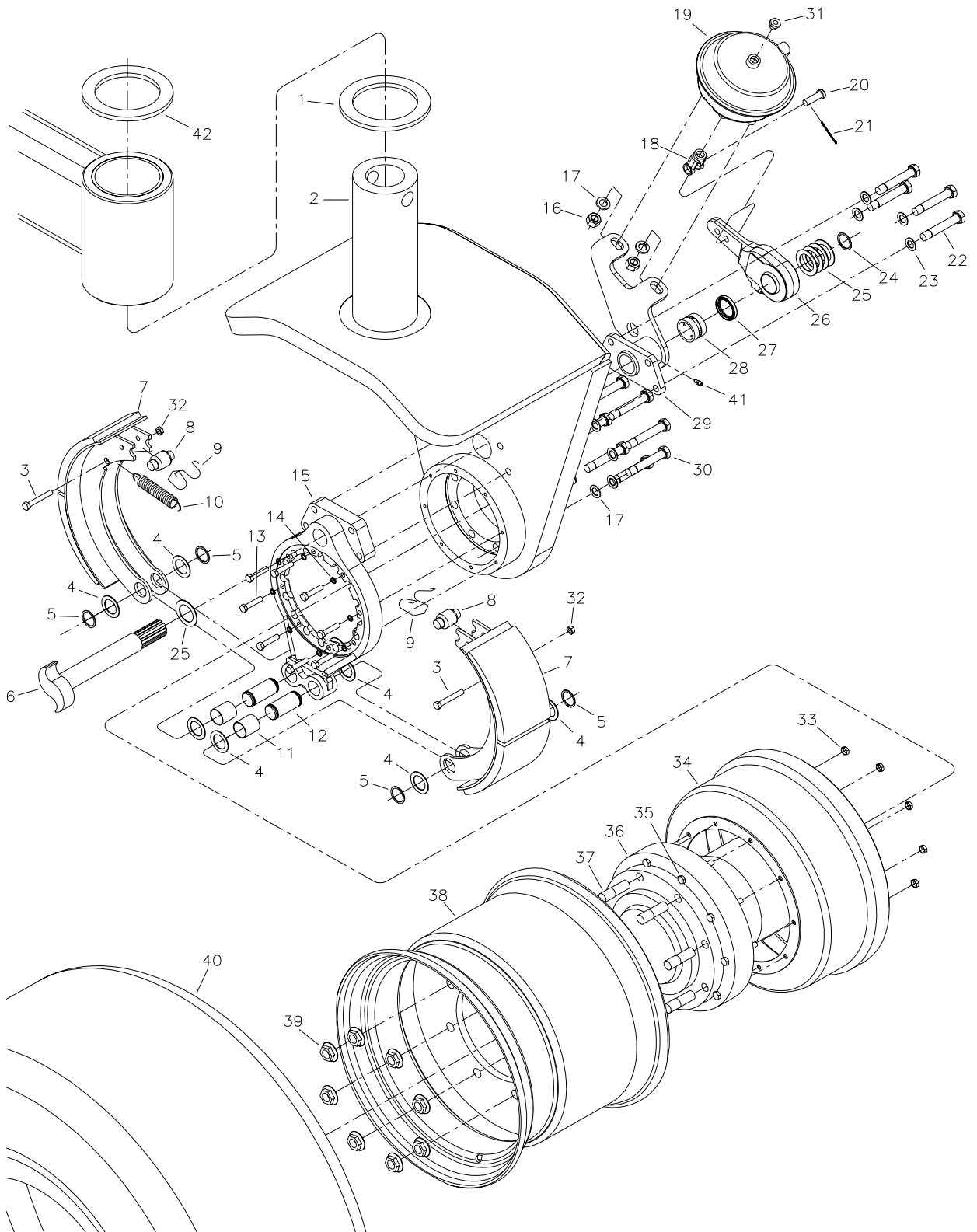
PARTS MANUAL

Wheel - Brake Group Parts List

Item#	Part#	Description	Qty.	Remarks
1	1201023	Spacer, Wheel Column Bronze	1	5-inch
2	1201016	Wheel Column, Drive	1	
3	ref.	Cap Screw, Hex	2	3/8-16NC x 2-1/2
4	ref.	Washer, Brake Shoe	8	
5	ref.	Ring, Snap	4	
6	1010059	Cam, "S" Modified	1	
7	1501183	Shoe, Brake	2	
8	ref.	Roller, Brake Shoe	2	
9	ref.	Retainer, Brake Shoe Roller	2	
10	1502240	Spring, Brake Shoe Return	1	
11	ref.	Bushing, Brake Shoe Pin	2	
12	ref.	Pin, Brake Shoe	2	
	1501178	Kit, Brake Repair Parts	ref	
13	ref.	Cap Screw, Hex	8	3/8-16NC x 2
14	ref.	Washer, Split Lock	8	3/8
15	1010058	Spider, Brake Modified	1	
16	ref.	Nut, Hex	2	5/8-11NC
17	ref.	Washer, Split Lock	10	5/8
18	1501185	Clevis, Air Can	1	
19	1501184	Can, Air	1	
	1541415	Tubing, Air Brake	1	
20	ref.	Pin, Air Can Clevis	1	
21	ref.	Pin, Cotter	1	
22	ref.	Cap Screw, Hex	4	1/2-13NC x 3-3/4
23	ref.	Washer, Split Lock	4	1/2
24	1550381	Ring, Snap	1	
25	1550380	Washer, Cam	1	
26	1501180	Adjuster, Slack	1	
27	1501189	Seal, Cam Brake	1	
28	1501190	Bushing, Cam	1	
29	1201012	Bracket, "S" Cam Shaft	1	
30	ref.	Cap Screw, Hex	8	M16 x 60
31	1541416	Fitting, Air	1	
32	ref.	Nut, Hex	2	3/8-16NC Lock
33	1550411	Nut, Hex Jam	10	12 x 1-3/4 MM
34	1010057	Drum, Brake 16-1/2 Modified	1	
35	1550360	Cap Screw, Socket Head	10	1/2 x 1-3/4 x 90
36	1201018	Drive, Wheel Class 5	1	Black Bruin Machined

PARTS MANUAL

Wheel - Brake Group

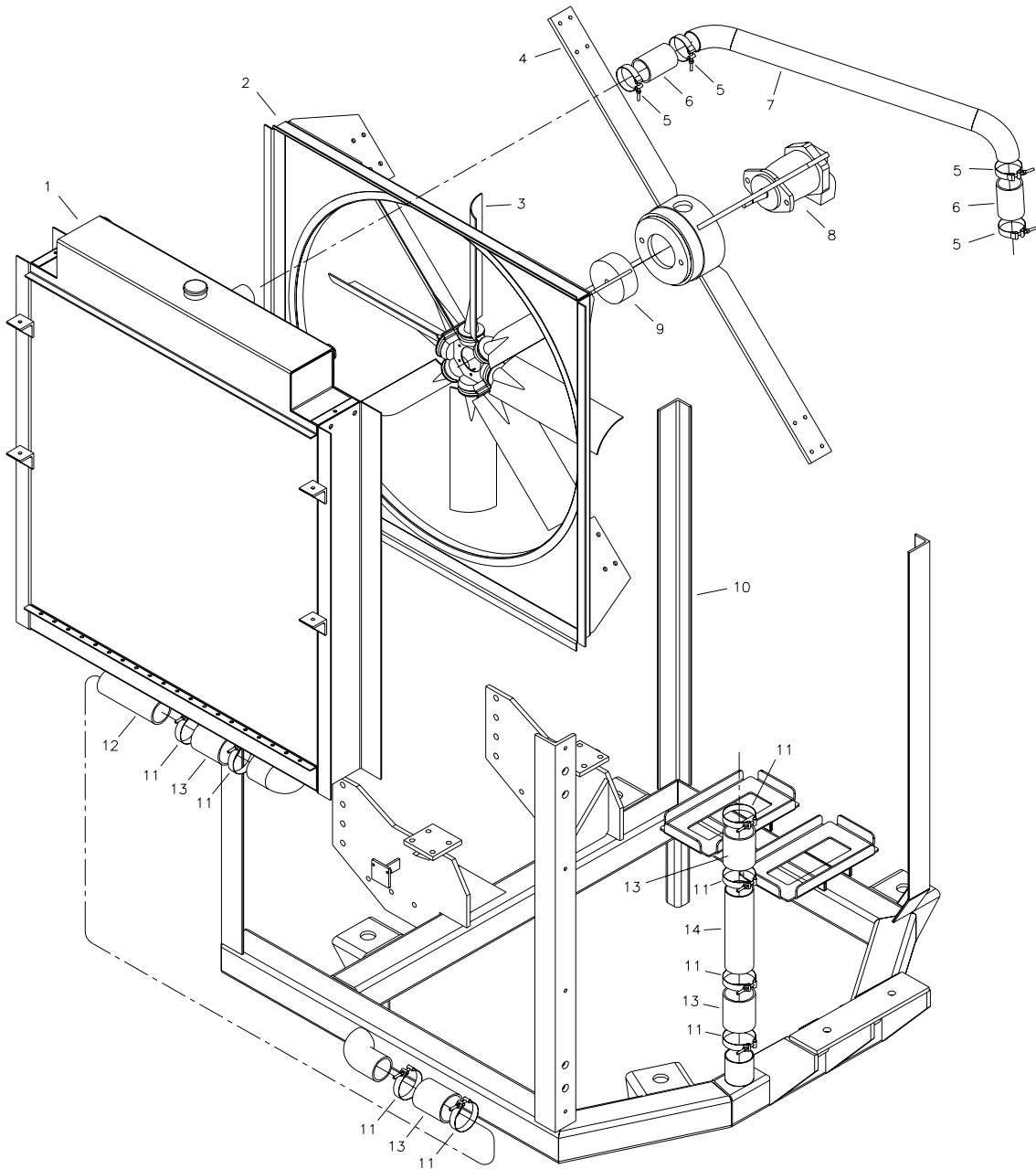


PARTS MANUAL

Wheel - Brake Group Parts List

Item#	Part#	Description	Qty.	Remarks
37	1201000	Stud, Wheel Drive Black Bruin	8	Class 5
38	1201014	Rim Assembly	1	
	1501528	Stem, Valve 502	1	
39	1550151	Nut, Lug Flanged	8	3/4 NF W183
40	1501083	Tire	1	
	1500559	Tire, With Rim	ref	
41	1540230	Fitting, Grease	1	
42	1201012	Ring, Wheel Column Retaining	1	

Water Cooling System

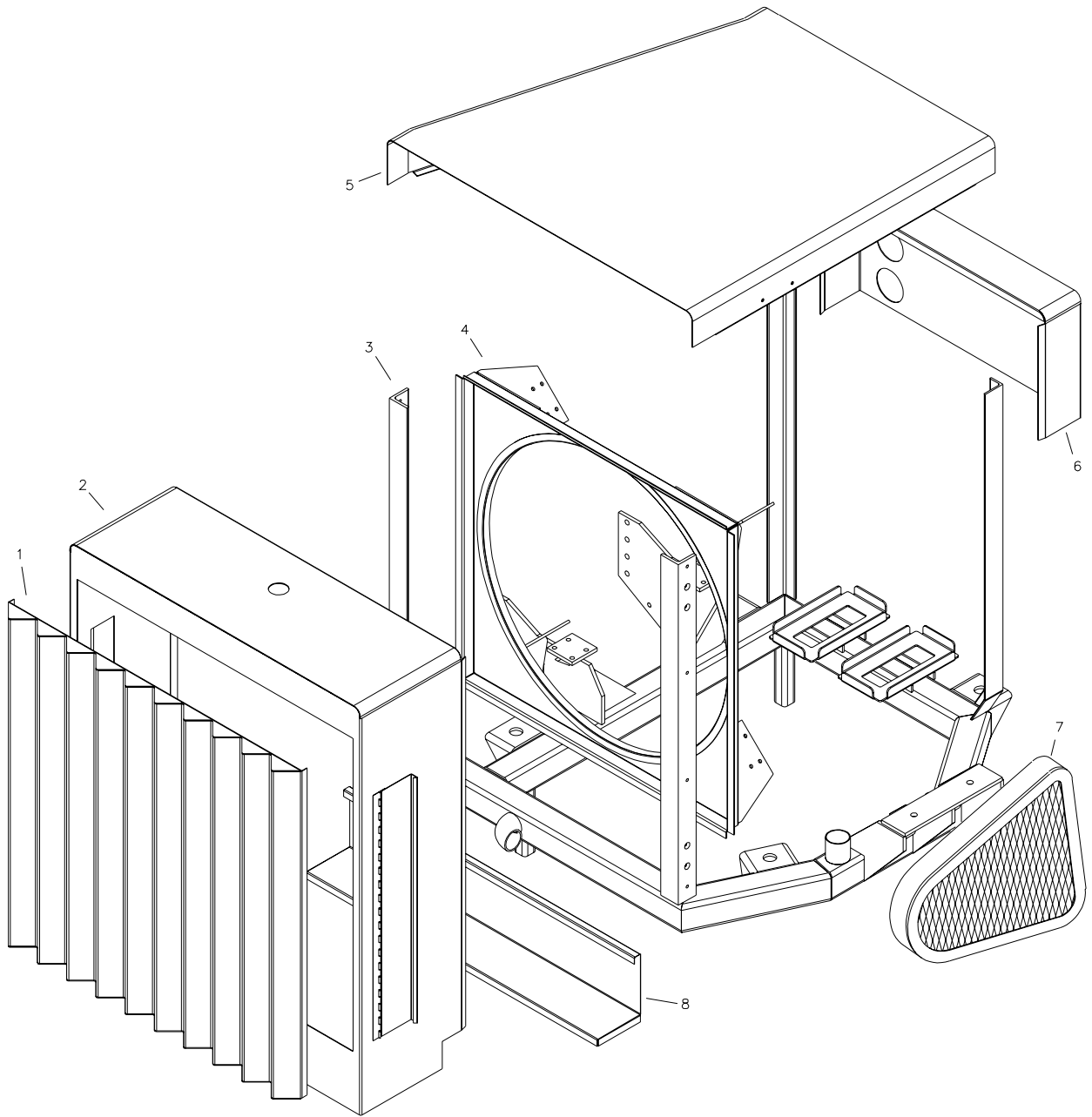


PARTS MANUAL

Water Cooling System

Item#	Part#	Description	Qty.	Remarks
1	1501862	Radiator, 500hp	1	
2	ref.	Shroud, Fan	1	
3	1501888	Fan, 40" 7-Blade	1	
4	ref.	Bracket, Fan	1	
5	1540059	Clamp, T-bolt	4	
6	ref.	Hose Coupler	6	2-1/2
7	ref.	Pipe, Water Return	1	
8	1541831	Motor, Hydraulic	1	
9	ref.	Adapter, Fan	1	
10	ref.	Frame, Engine Skid	1	
11	1540061	Clamp, T-bolt	8	3-1/2
12	ref.	Pipe, Water - radiator to reservoir	1	
13	ref.	Hose Coupler	4	3

Engine Cowl

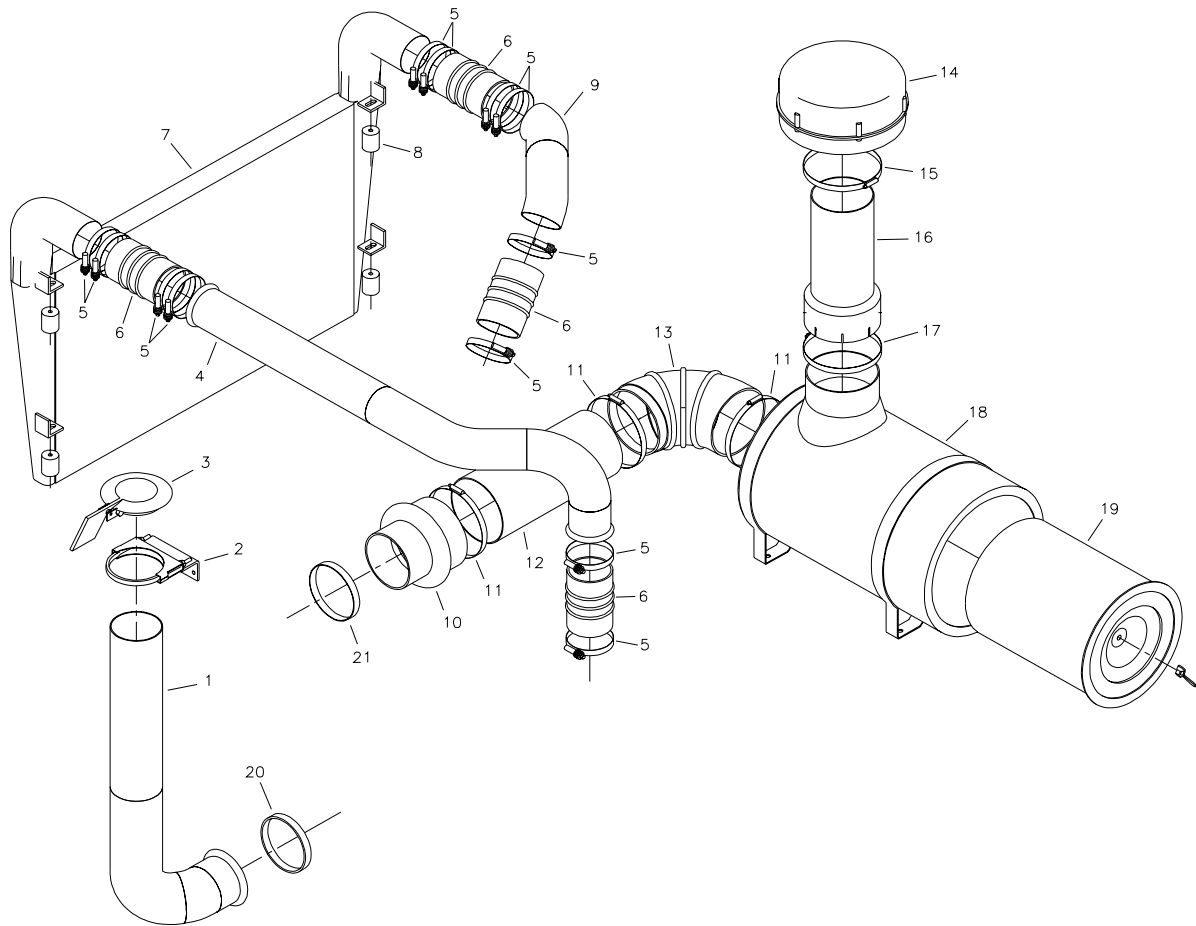


PARTS MANUAL

Engine Cowl - Parts Lists

Item#	Part#	Description	Qty.	Remarks
1	ref.	Kit, Chaff Screen	1	
2	ref.	Shroud, Engine Radiator	1	
2a	ref.	Door, Radiator shroud	2	
3	ref.	Frame, Engine Skid	1	
4	ref.	Shroud, Fan	1	
5	ref.	Hood	1	
6	ref.	Shroud, Engine - right	1	
7	ref.	Guard, Engine Front Belt	1	
8	ref.	Screen, Chaff - bottom	1	

Air Intake and Exhaust

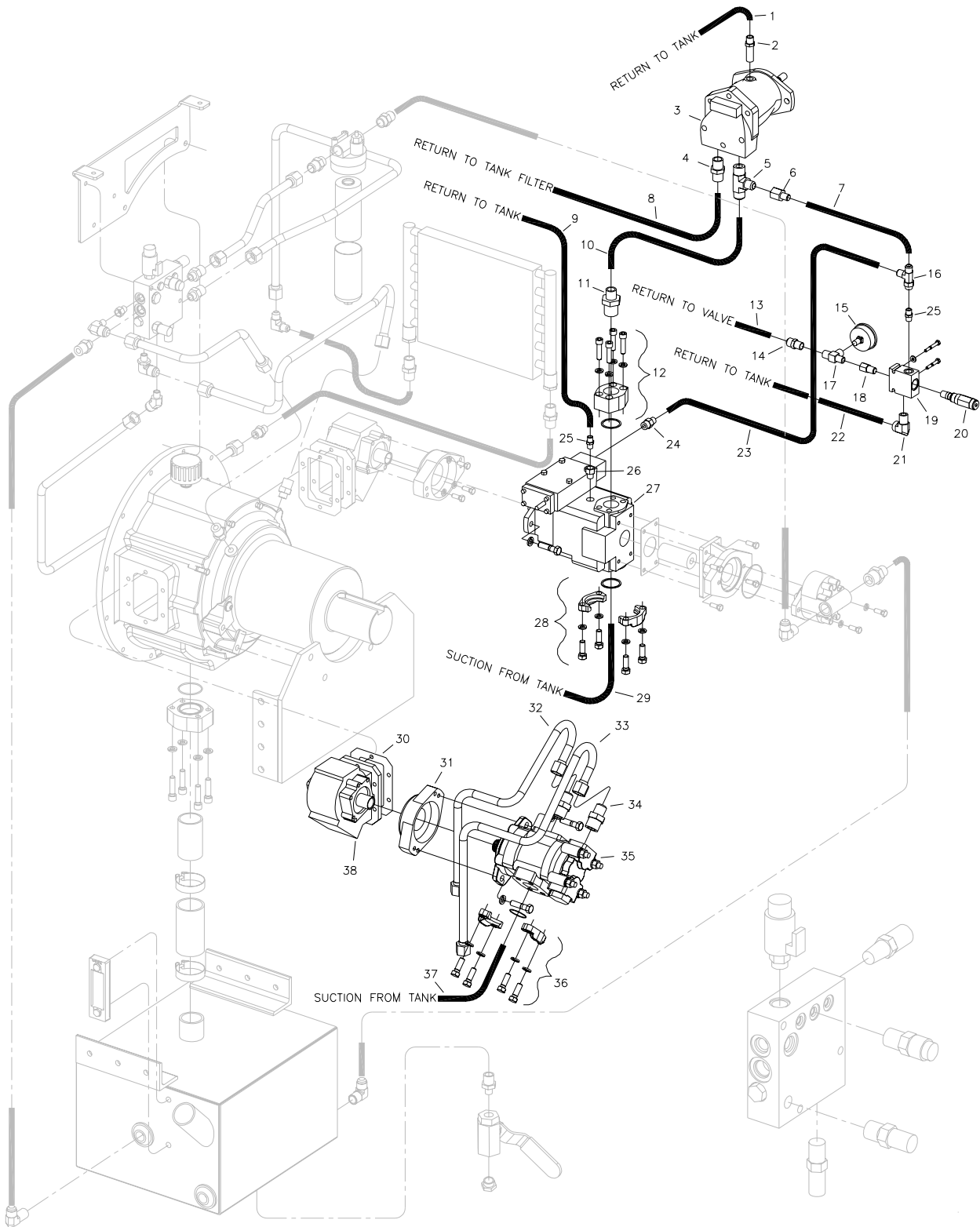


PARTS MANUAL

Air Intake and Exhaust - Parts List

Item#	Part#	Description	Qty.	Remarks
1	ref.	Exhaust stack	1	
2	1207041	Clamp, exhaust bracket	5	
3	1500069	Cap, rain	1	
4	ref.	Pipe, cooler - long	1	
5	1540067	Clamp	12	T-bolt 4-1/2
6	1501968	Connector, Air to Air	4	
7	1501863	Cooler, Air to Air	1	500hp
8	1501205	Isolator, radiator mount	4	
9	ref.	Pipe, Cooler - short	1	
10	1501970	Reducer	1	7" to 6"
11	1502018	Clamp, Hose	3	
12	ref.	Pipe, Air Intake	1	7"
13	1501965	Elbow	1	rubber
14	1501641	Precleaner, Composite	1	includes clamp
15	ref.	Clamp, Precleaner	1	
16	1501642	Adapter, Expansion	1	
17	ref.	Clamp, Expansion Adapter	1	
18	1501193	Cleaner, Air	1	
19	ref.	Element, Air Cleaner	1	
20	1501967	Clamp, Turbo	1	5"
21	1501856	Clamp	1	T-bolt 6-1/2

Hydraulic System - Main Pump & Fan

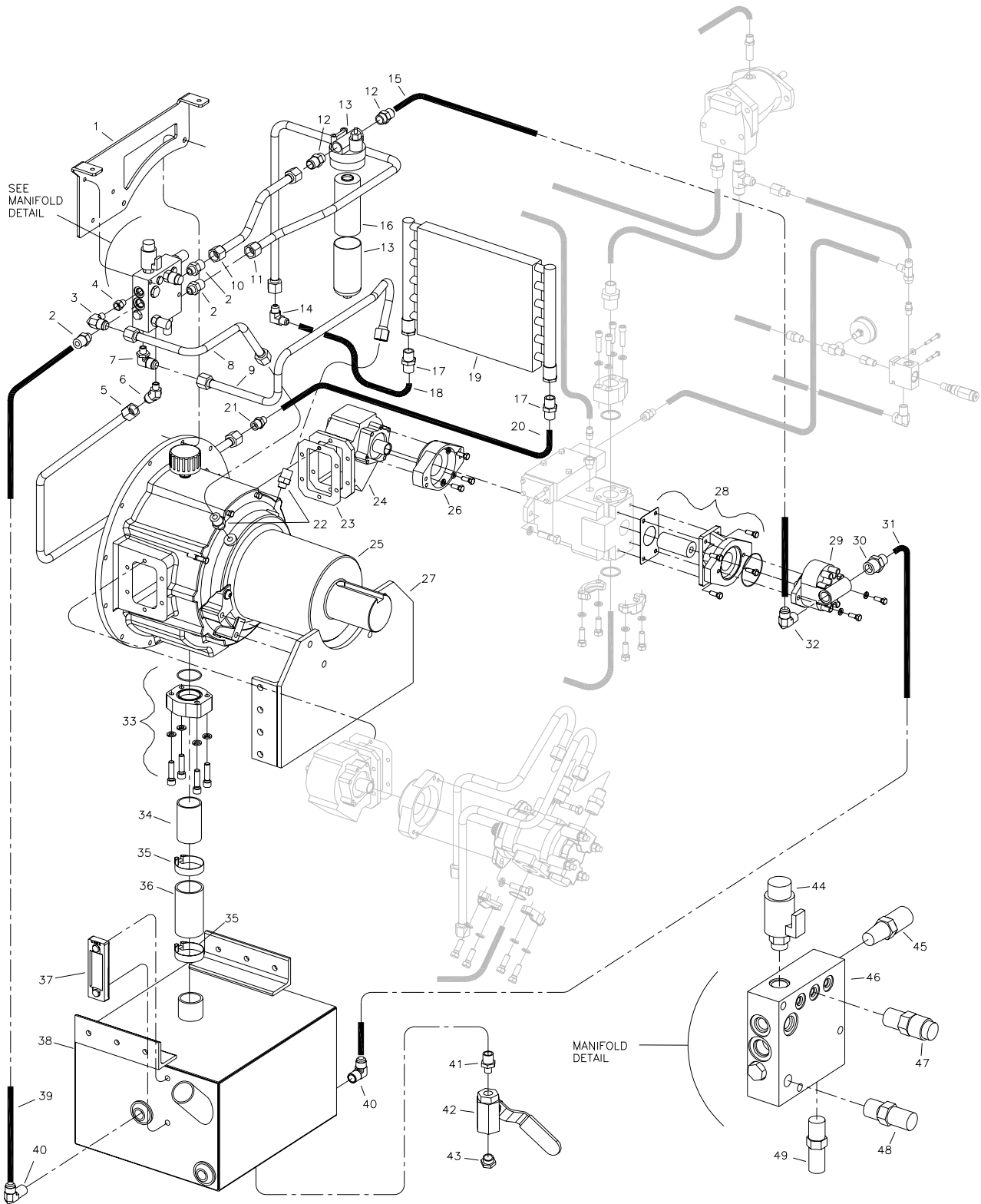


PARTS MANUAL

Hydraulic System - Main Pump & Fan - Parts List

Item#	Part#	Description	Qty.	Remarks
1	ref.	Hose Assembly, Case drain - fan motor	1	
2	1540581	Fitting, Hydraulic coupler	1	
3	1541831	Motor, Fan drive	1	
4	1540553	Fitting, Hydraulic coupler	1	
5	1541602	Fitting, Hydraulic coupler	1	
6	1540417	Fitting, Hydraulic coupler	1	
7	ref.	Hose Assembly, Fan motor pressure line	1	Pilot port 2
8	ref.	Hose Assembly, Fan motor return	1	
9	ref.	Hose Assembly, Fan pump case drain	1	
10	ref.	Hose Assembly, Fan motor pressure	1	
11	1541909	Fitting, Hydraulic coupler	1	
12	1540827	Flange, Hydraulic	1	
13	ref.	Hose Assembly, PO check valve	1	
14	1540507	Fitting, Hydraulic coupler	1	
15	1500149	Gauge, Pressure	1	
16	1541608	Fitting, Hydraulic coupler	1	
17	1540481	Fitting, Hydraulic coupler	1	
18	1540433	Fitting, Hydraulic coupler	1	
19	1541850	Manifold	1	
20	1541851	Valve, Pressure reducing cartridge	1	
21	1540702	Fitting, Hydraulic coupler	1	
22	ref.	Hose Assembly, PO check tank	1	
23	ref.	Hose Assembly, Pressure comp pump	1	Pilot port 2
24	1540575	Fitting, Hydraulic coupler	1	
25	1540521	Fitting, Hydraulic coupler	1	
26	1540472	Fitting, Hydraulic coupler	1	
27	1541849	Pump, Hydraulic	1	
28	1540804	Flange, Hydraulic split	1	
29	ref.	Hose Assembly, Fan pump suction	1	
30	ref.	Gasket/Shim, Power take off	1	
31	ref.	Adapter, Pump	2	
32	1210006	Hardline, Main Pump	1	
33	ref.	Hardline, pump pressure	1	
34	1540555	Fitting, Hydraulic coupler	2	
35	1541537	Pump, Hydraulic	1	
36	1540805	Flange, split	1	
37	ref.	Hose Assembly, Primary pump suction	1	
38	1520752	Power Take Off, pump drive	1	Left

Hydraulic System - HPTO & Pump Drive

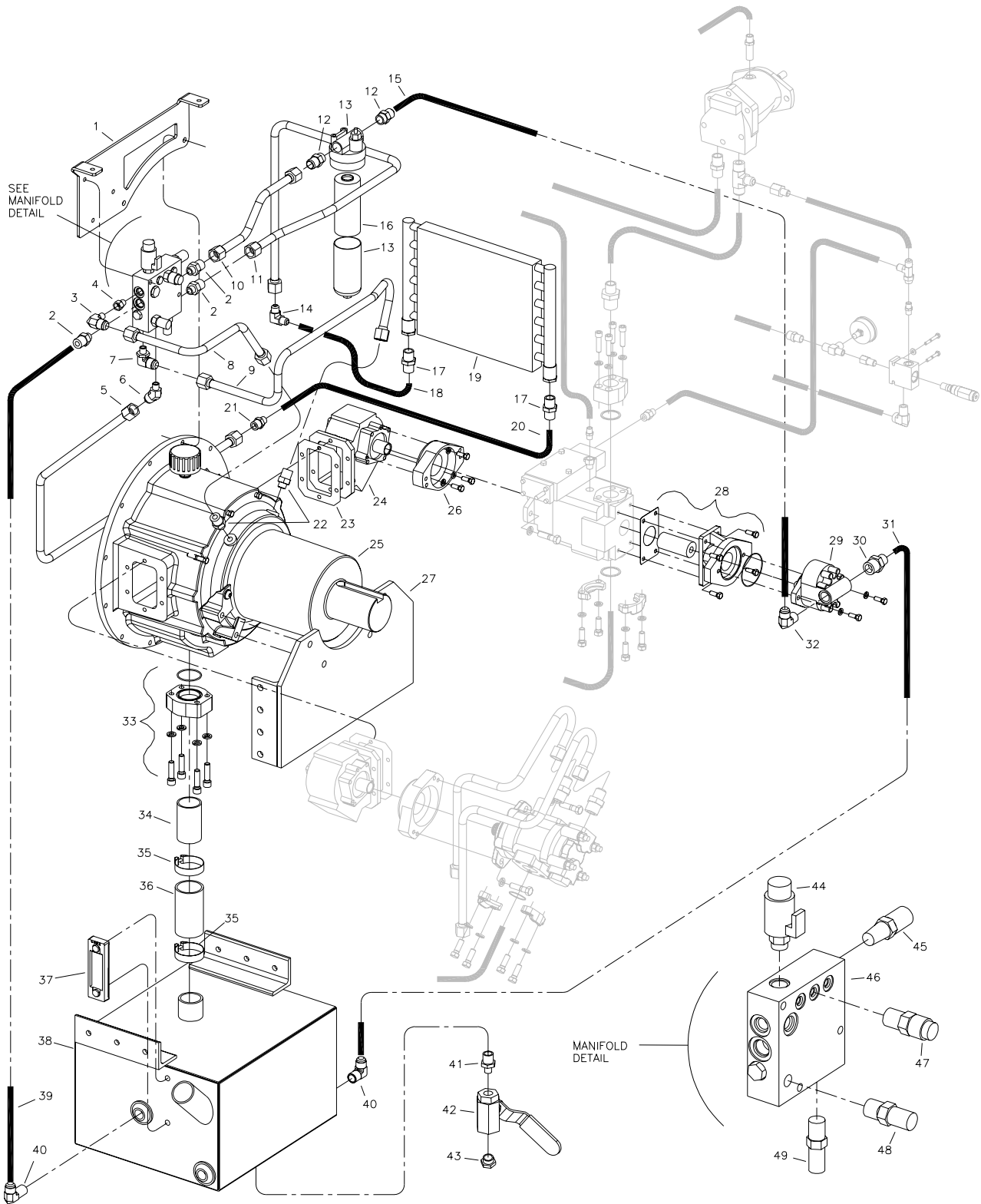


PARTS MANUAL

Hydraulic System HPTO & Pump Drive - Parts List

Item#	Part#	Description	Qty.	Remarks
1	ref.	Mount, Air cleaner	1	front
2	1540554	Fitting, Hydraulic coupler	3	
3	1540637	Fitting, Hydraulic coupler	1	
4	1540429	Fitting, Hydraulic coupler	1	
5	ref.	Hardline, Hydraulic	1	from cooler
6	1540624	Fitting, Hydraulic coupler	1	
7	1540688	Fitting, Hydraulic coupler	1	
8	ref.	Hardline, Hydraulic HPTO Manifold	1	Clutch port
9	ref.	Hardline, Hydraulic HPTO Manifold	1	Lube port
10	ref.	Hardline, Hydraulic HPTO Manifold	1	pump & filter port
11	ref.	Hardline, Hydraulic HPTO Manifold	1	cooler port
12	1540553	Fitting, Hydraulic coupler	2	
13	1541960	Filter, Hyd base weldment	1	
14	1540673	Fitting, Hydraulic coupler	1	
15	ref.	Hose Assembly, HPTO pump pressure	1	
16	1541961	Filter, Hyd element	1	
17	1540495	Fitting, Hydraulic coupler	2	
18	ref.	Hose Assembly, cooler pressure	1	
19	1541848	Cooler, oil	1	
20	ref.	Hose Assembly, cooler return	1	
21	1540537	Fitting, Hydraulic coupler	1	
22	1540556	Fitting, Hydraulic coupler	2	
23	ref.	Gasket/Shim, Power take off	ref	
24	1520751	Power Take Off, Pump drive	1	right
25	1501812	Clutch, HPTO	1	
26	ref.	Adapter, Pump	2	
27	ref.	Mount, HPTO	1	
28	ref.	Kit, Pump coupling & adapter	1	
29	1541859	Pump, Hydraulic	1	
30	1540555	Fitting, Hydraulic coupler	1	
31	ref.	Hose Assembly, HPTO pump suction	1	
32	1540553	Fitting, Hydraulic coupler	1	
33	1540829	Flange, Hydraulic anchor	1	
34	ref.	Nipple, HPTO drain	1	2 x 4 sch. 40 black
35	1540039	Clamp, Hose	2	
36	ref.	Hose, HPTO drain	1	
37	1500156	Gauge, Sight level & temperature	1	
38	1207163	Tank, HPTO Hydraulic oil	1	

Hydraulic System HPTO & Pump Drive (cont.)

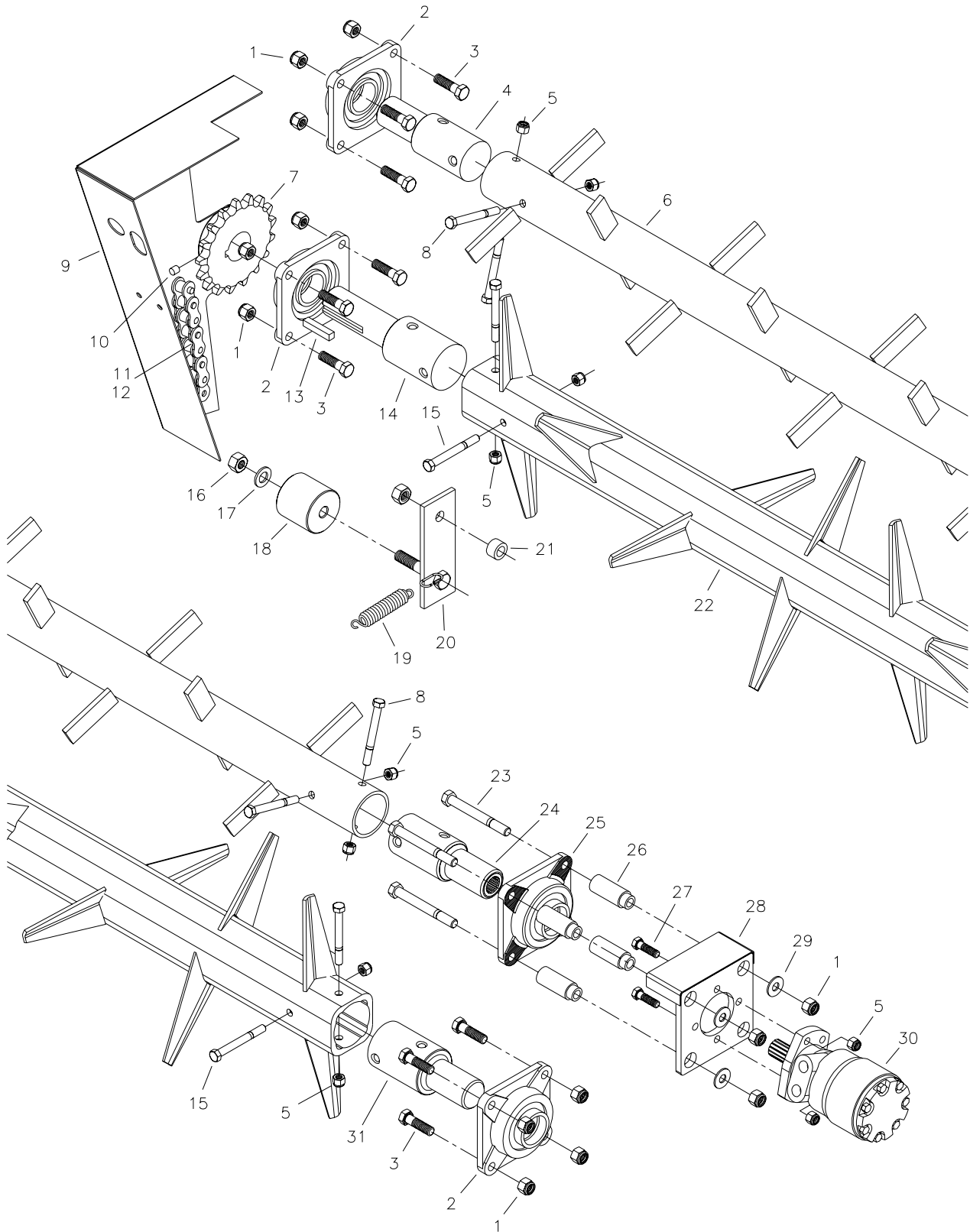


PARTS MANUAL

Hydraulic System HPTO & Pump Drive - Parts List (cont.)

Item#	Part#	Description	Qty.	Remarks
39	ref.	Hose Assembly, HPTO manifold return	1	
40	1540662	Fitting, Hydraulic coupler	2	
41	1540374	Fitting, Hydraulic coupler	1	
42	1541716	Valve, Ball	1	
43	1540407	Fitting, Hydraulic coupler	1	
44	ref.	Coil, Clutch solenoid	1	
45	ref.	Valve, Cartridge	1	pressure
46	1541912	Manifold, HPTO valve	1	
47	ref.	Switch, Pressure	1	
48	ref.	Switch, Temperature	1	
49	ref.	Valve, Cartridge	1	flow

Beater Bar Group

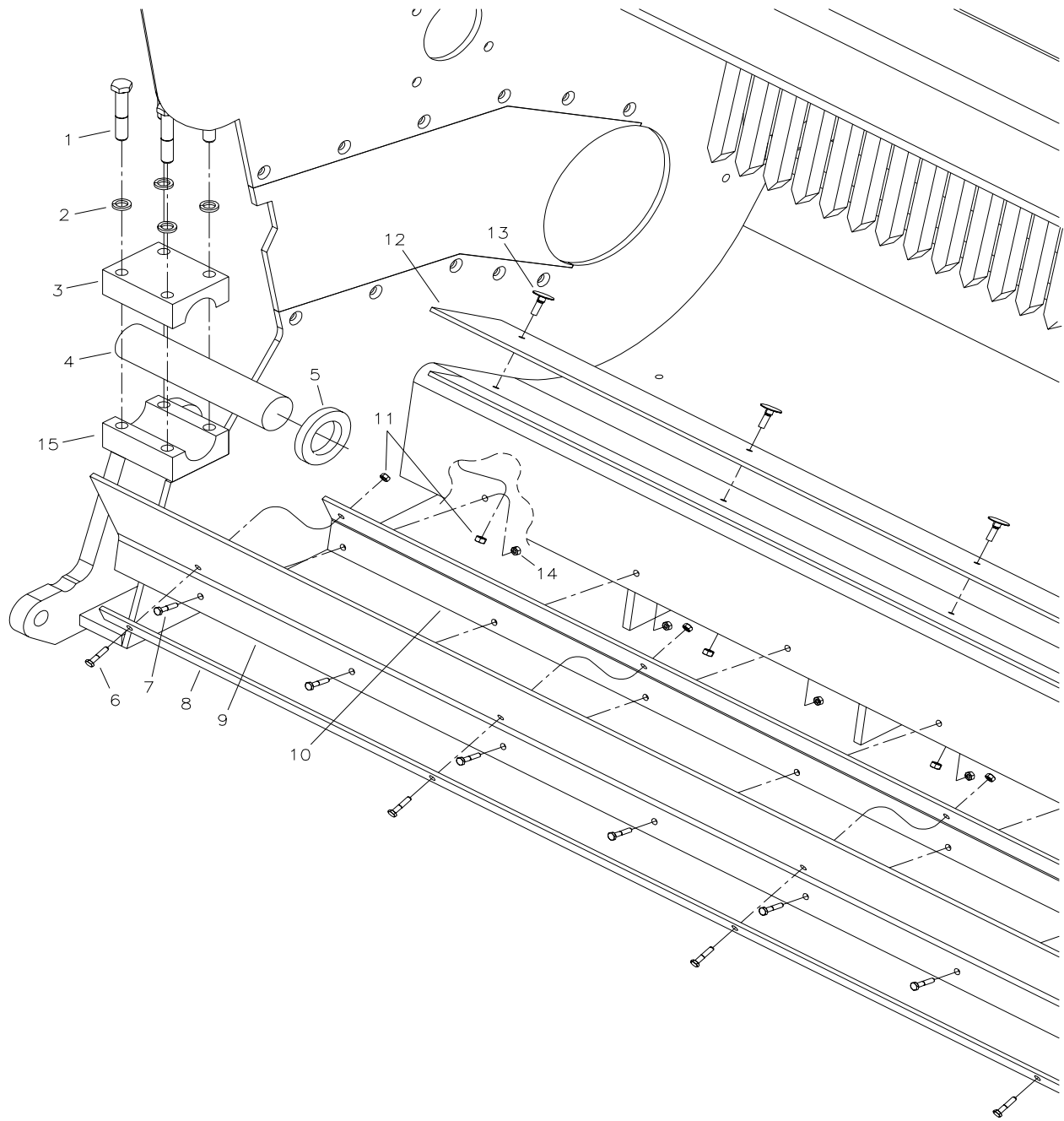


PARTS MANUAL

Beater Bar Group - Parts List

Item#	Part#	Description	Qty.	Remarks
1	ref.	Nut, Hex lock	16	5/8-11nc
2	1510037	Bearing, 4-bolt flange	3	
3	ref.	Cap Screw, Hex	12	5/8-11NC x 2-1/2
4	1020012	Stub Shaft, Idle	1	
5	ref.	Nut, Hex lock	8	1/2-13NC
6	1202000	Beater Bar, Upper	1	
7	1520672	Sprocket	1	
8	ref.	Cap Screw, Hex	4	1/2-13NC x 4-1/2
9	1020057	Guard, Beater chain	1	
10	ref.	Screw, Set	1	
11	1520341	Chain, Roller	1	6'-4"
12	1520342	Link, Roller chain connecting	ref	
13	1120074	Key, Square	1	
14	1020056	Stub shaft, Chain driven	1	
15	ref.	Cap Screw, Hex	4	1/2-13NC x 5
16	ref.	Nut, Hex lock	1	3/4-10NC
17	ref.	Washer, Flat	1	3/4
18	1020064	Tensioner, Beater bar chain	1	
19	ref.	Spring	1	
20	1020075	Bracket, Beater chain tensioner	1	
21	1020072	Spacer, Beater chain tensioner bracket	1	
22	1202039	Beater Bar, Lower	1	
23	ref.	Cap Screw, Hex	4	5/8-11NC x 5-1/2
24	1020011	Stub Shaft, Drive	1	
25	1020035	Bearing, Flange shaved	1	
26	1120058	Spacer, Beater motor mount	1	
27	ref.	Cap Screw, Hex	2	1/2-13NC x 1-3/4
28	1020009	Mount, Beater hydraulic motor	1	
29	ref.	Washer, Flat	4	5/8
30	1541284	Motor, Hydraulic	1	
31	1020013	Stub Shaft, Idle	1	

Forage Dam - Feed Table Mount

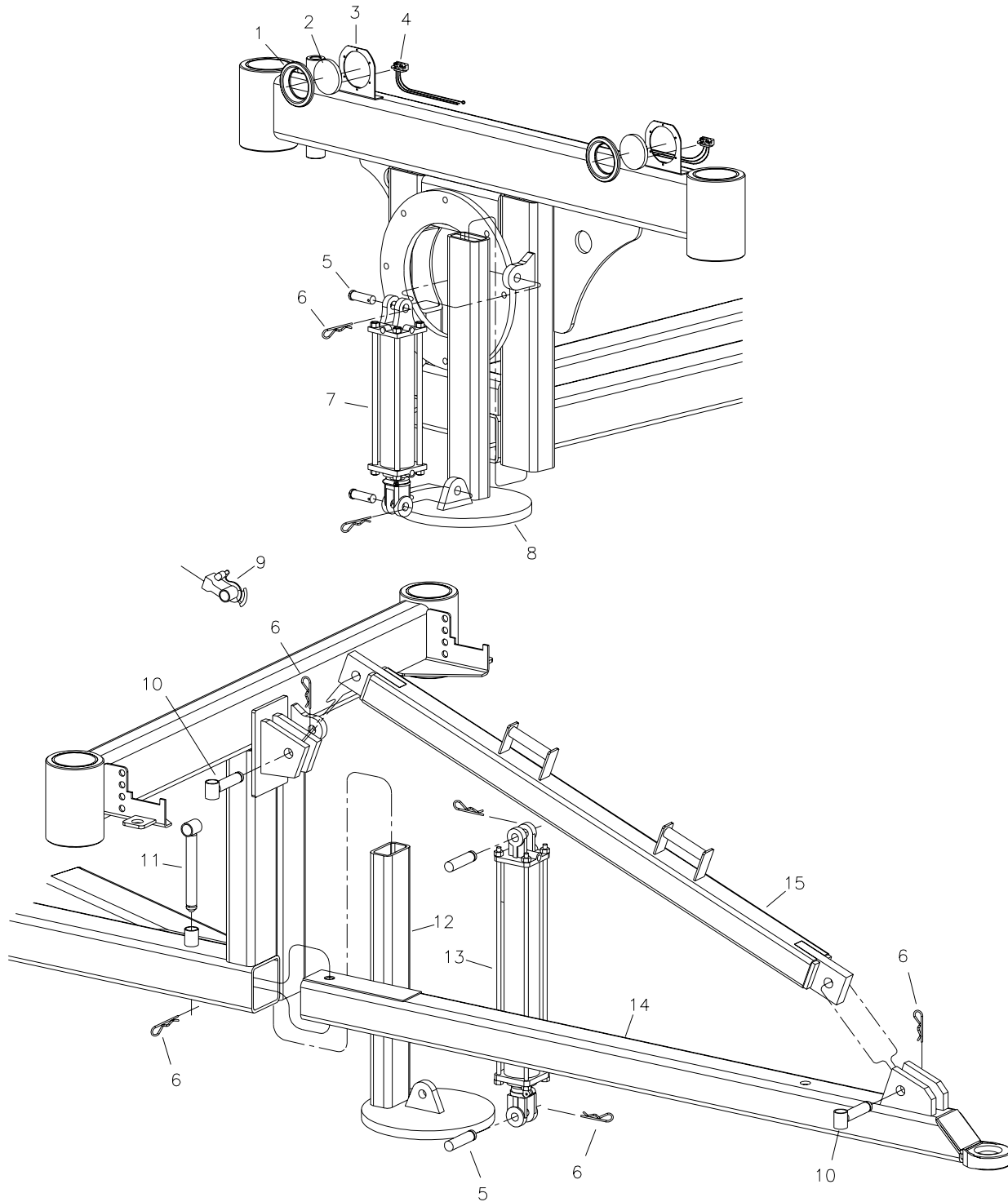


PARTS MANUAL

Forage Dam Feed Table Mount - Parts List

Item#	Part#	Description	Qty.	Remarks
1	ref.	Cap Screw, Hex	8	5/8-11NC x 3
2	ref.	Washer, Lock	8	5/8
3	ref.	Anchor Block, Feed Table mounting block	2	
4	1080048	Shaft, Feed Table mounting	2	
5	1120449	Spacer, Feed Table	2	
6	ref.	Cap Screw, Hex	6	5/16-18NC x 1-1/4
7	ref.	Cap Screw, Hex	11	3/8-16NC x 1-1/2
8	1212013	Strip, Forage dam backup	1	
9	1080184	Skirting, forage dam	1	10-feet
10	1212011	Bracket, Forage dam - formed	1	
11	ref.	Nut, Hex lock	14	5/16-18NC
12	ref.	Liner, UHMW	1	
13	ref.	Cap Screw, counter sunk elevator	8	5/16-18NC x 1-1/4 flat
14	ref.	Nut, Hex lock	11	3/8-16NC
15	1080118	Anchor Block, Feed Table Mounting Shaft	2	bottom
Ref	1080216	Anchor Block Set	2	upper and bottom

Towing System

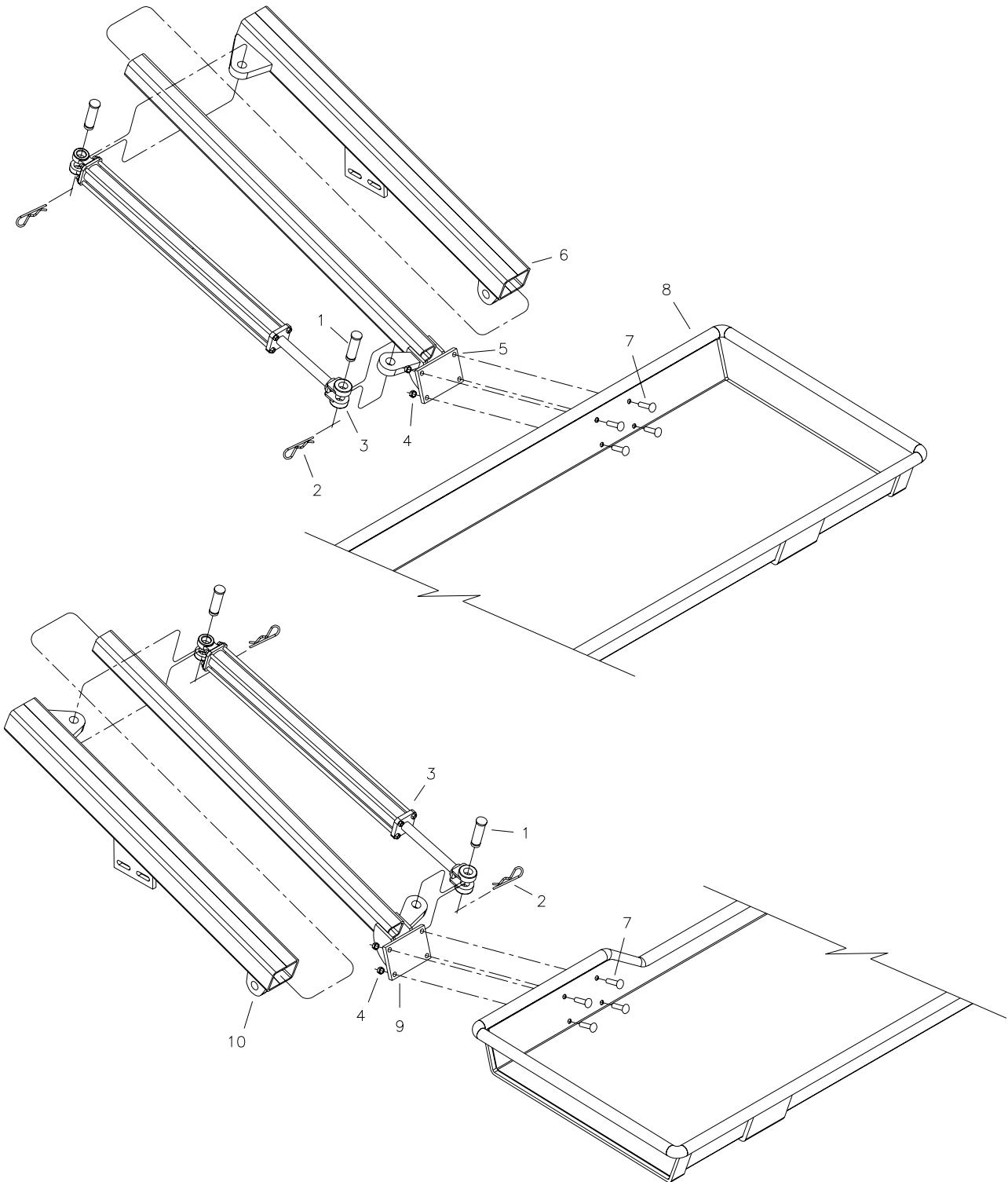


PARTS MANUAL

Towing System - Parts List

Item#	Part#	Description	Qty.	Remarks
1	1501077	Grommet, Tail light	2	
2	1501204	Light, Tail - red	2	
3	1500649	Mount, Tail light	2	
4	1500254	Harness, Tail light	2	
5	ref.	Pin, Clevis	4	
6	ref.	Pin, Hair cotter	3	
7	1541584	Cylinder, Hydraulic	1	
8	1212015	Jack Base, Hydraulic - engine end	1	
9	1501038	Gladhand air coupler	1	
10	1120046	Pin, Pintle hitch brace	2	
11	ref.	Pin, Pintle hitch	1	1-1/4 x 9-3/4
12	1212016	Jack Base, Hydraulic - platform end	1	
13	1540113	Cylinder, Hydraulic	1	
14	1211001	Hitch, Pintle with brace	1	
	1211006	Hitch, Pintle without brace	1	
15	1211005	Brace, Pintle Hitch	1	

Bag Pan System

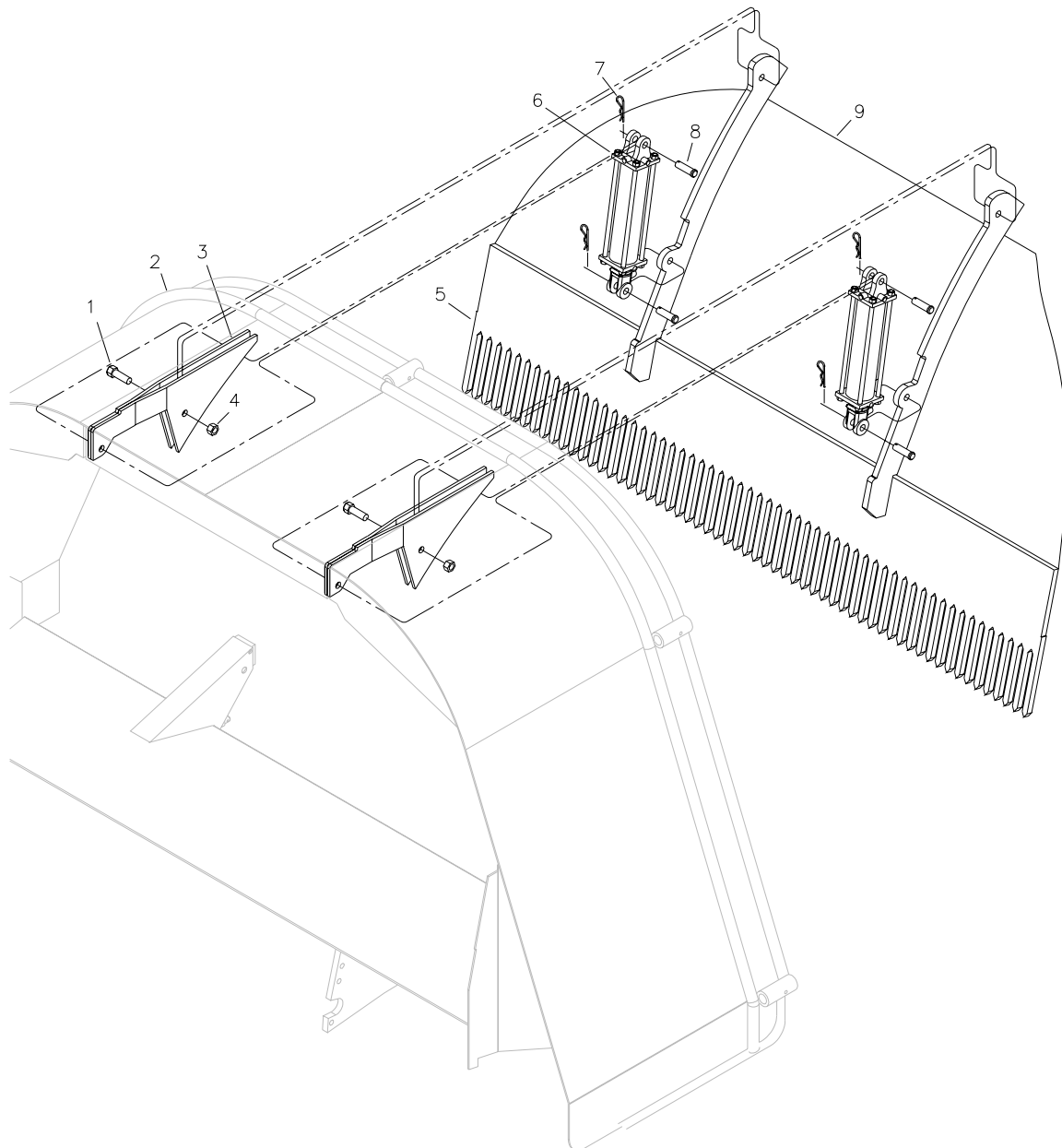


PARTS MANUAL

Bag Pan System - Parts List

Item#	Part#	Description	Qty.	Remarks
1	ref.	Pin, Clevis	4	
2	ref.	Pin, Hair cotter	4	
3	1541674	Cylinder, Hydraulic	2	
4	ref.	Nut, Hex	8	1/2-13NC x 2
5	ref.	Support Assembly, Bag Pan right	1	
6	ref.	Socket Assembly, Bag Pan right	1	
7	ref.	Cap Screw, Round	8	1/2-13NC x 2
8	ref.	Pan, Bag	1	
9	ref.	Support Assembly, Bag Pan left	1	
10	ref.	Socket Assembly, Bag Pan left	1	

Tunnel Clean Out System

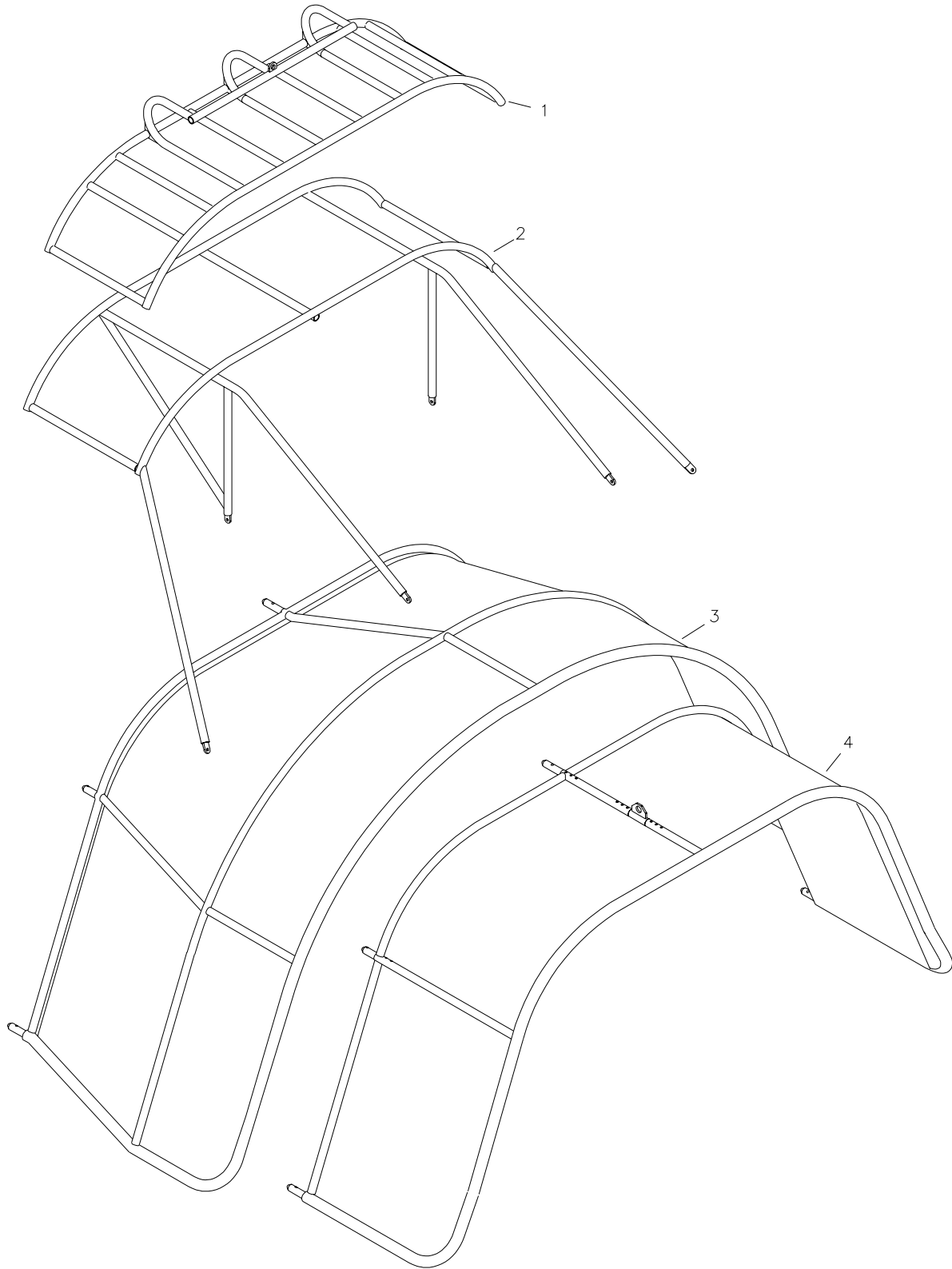


PARTS MANUAL

Tunnel Clean Out System - Parts List

Item#	Part#	Description	Qty.	Remarks
1	ref.	Cap Screw, Hex	2	1-8NC x 4
2	ref.	Tunnel Shell	1	
3	1060157	Mount, Tunnel Clean Out & Cylinder	2	
4	ref.	Nut, Hex	2	1-8NC
5	1206017	Stripper Bar, Tunnel Clean Out	.5	
6	1541584	Cylinder, Hydraulic	2	
7	ref.	Pin, Hair cotter	4	
8	ref.	Pin, Clevis	4	
9	ref.	Tunnel Clean Out	1	

Tunnel Extension & Cradle



PARTS MANUAL

Tunnel Extension & Cradle - Parts List

Item#	Part#	Description	Qty.	Remarks
1	1060009	Cradle, Bag - 12' & 14'	1	
2	ref.	Extension, Bag Cradle - 14'	1	
3	1206087	Extension, Tunnel 14'	1	Includes #2
4	1206014	Extension, Tunnel - 12'	1	

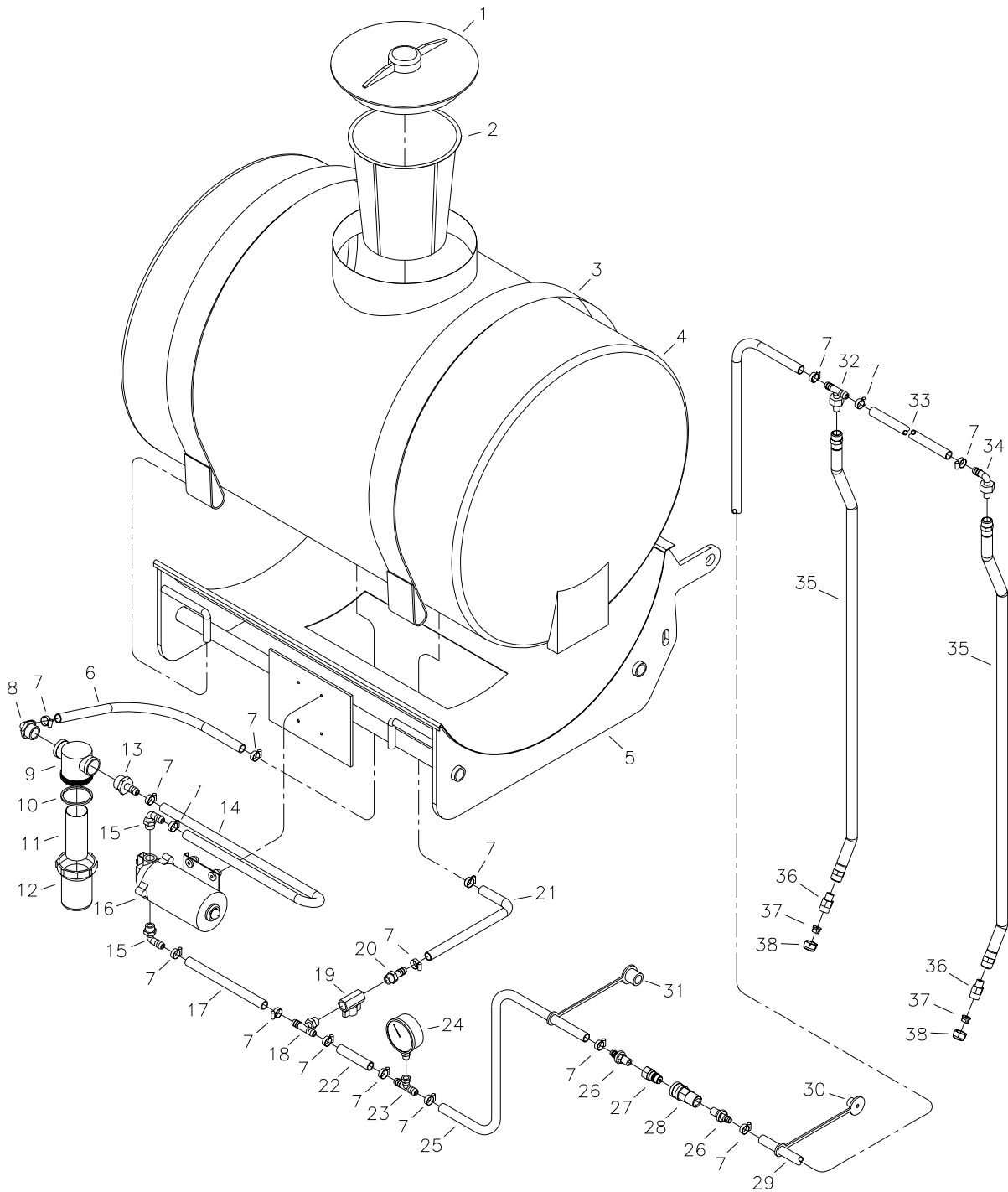
PARTS MANUAL

Steering - Parts List

Item#	Part#	Description	Qty.	Remarks
1	ref.	Cap Screw, Hex	4	3/8-16NC 1-1/2
2	ref.	Washer, Lock	4	5/8
3	1550245	Pin, Roll	4	
4	1010088	Washer, Tie Rod	4	
5	ref.	Tie Rod, Steering	1	Trailer end
6	ref.	Bushing, Bronze	4	1.25ID x 1.5OD x 1.660
7	ref.	Zerk, Grease	4	Press in
8	1550331	Cap Screw, Hex	10	3/4-10NC x 2-1/2 G8
9	ref.	Washer, Lock	10	3/4
10	ref.	Bracket, Steering cylinder	2	
11	1010089	Shim, Steering cylinder bracket	ref.	
12	ref.	Pin, Clevis	4	
13	ref.	Pin, Hair cotter	4	
14	1540102	Cylinder, Hydraulic	2	
15	ref.	Tie Rod, Steering	1	Towing end

PARTS MANUAL

Sprayer - 55 Gallon

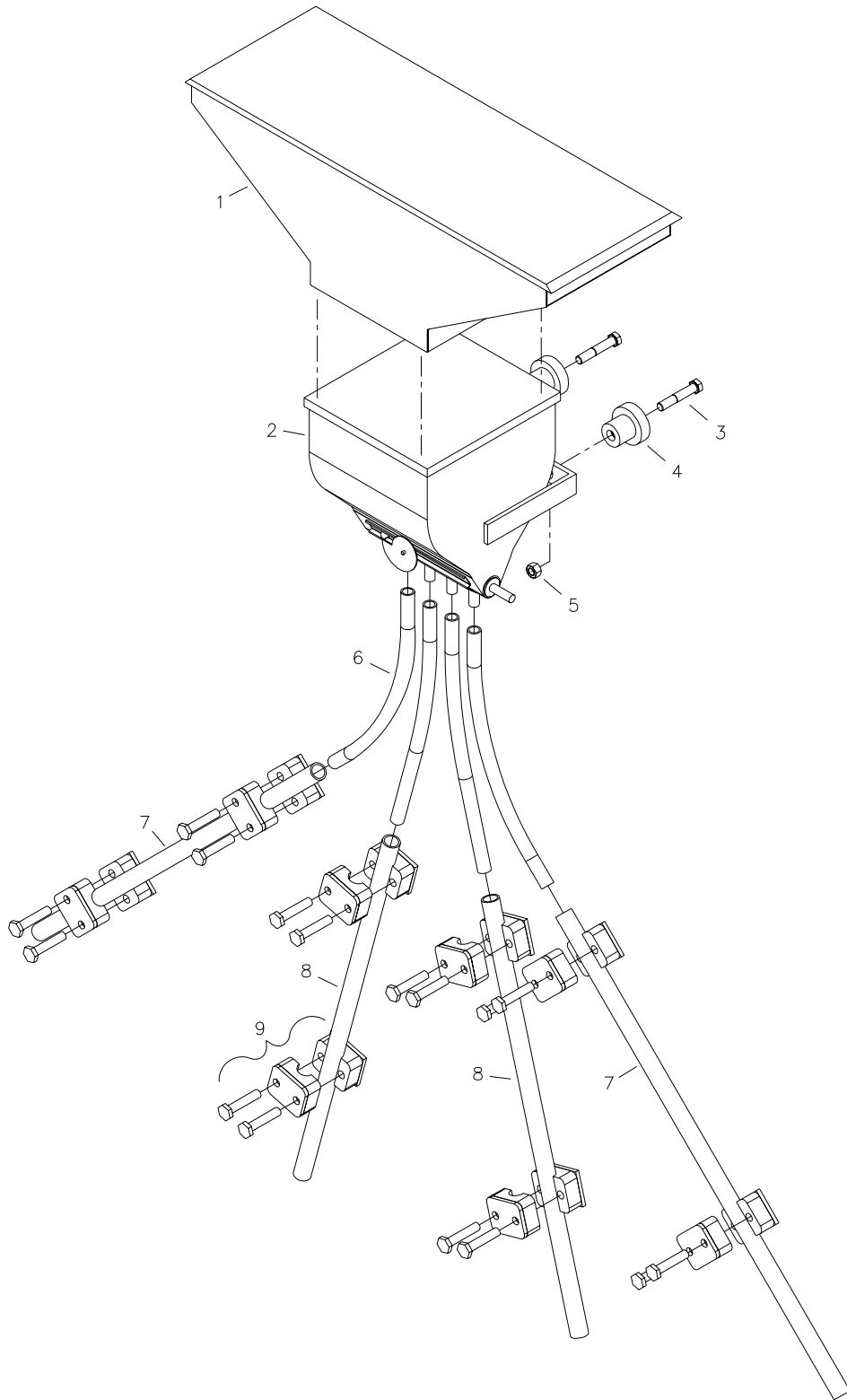


PARTS MANUAL

Sprayer - 55 Gallon - Parts List

Item#	Part#	Description	Qty.	Remarks
1	1501711	Lid, Fill port	1	
2	ref.	Strainer, Fill	1	
3	ref.	Strap, Tank	2	2 x 41
4	ref.	Tank, 55 Gallon	1	
5	ref.	Bracket, Sprayer	1	
6	ref.	Hose, Clear braid	1	3/8 x 16
7	1540031	Clamp, Hose	16	
8	ref.	Fitting, Elbow bulkhead	1	
9	ref.	Head, Filter	1	
10	ref.	Gasket, Filter	1	
11	ref.	Element, Filter	1	
12	ref.	Bowl, Filter	1	
13	ref.	Fitting, Straight bulkhead	1	
14	ref.	Hose, Clear braid	1	3/8 x 28
15	ref.	Fitting, Elbow	2	
16	1541006	Pump, 12v 60psi	1	
17	ref.	Hose, Clear braid	1	3/8 x 7-1/2
18	ref.	Fitting, Tee	1	
19	ref.	Valve	1	
20	ref.	Fitting, Straight	1	
21	ref.	Hose, Clear braid	1	3/8 x 10-1/2
22	ref.	Hose, Clear braid	1	3/8 x 3
23	ref.	Fitting, Tee	1	
24	ref.	Gauge	1	160psi
25	ref.	Hose, Clear braid	1	3/8 x 20
26	1541647	Fitting, Straight	2	
27	1541587	Fitting, Quick disconnect - male	1	
28	1541588	Fitting, Quick disconnect - female	1	
29	ref.	Hose, Clear braid	1	3/8 x 120
30	1541589	Cap, Quick disconnect - female	1	
31	1541590	Cap, Quick disconnect - male	1	
32	ref.	Fitting, Tee	1	
33	ref.	Hose, Clear braid	1	3/8 x 42
34	ref.	Fitting, Elbow	1	
35	1120050	Pipe, Sprayer	2	
36	1500071	Fitting, Sprayer body	2	
37	1500545	Tip, Sprayer	2	
38	1500063	Cap, Sprayer nozzle	2	
ref	1120544	Sprayer Assembly w/bracket and spray pipes & tips		

Gandy Applicator

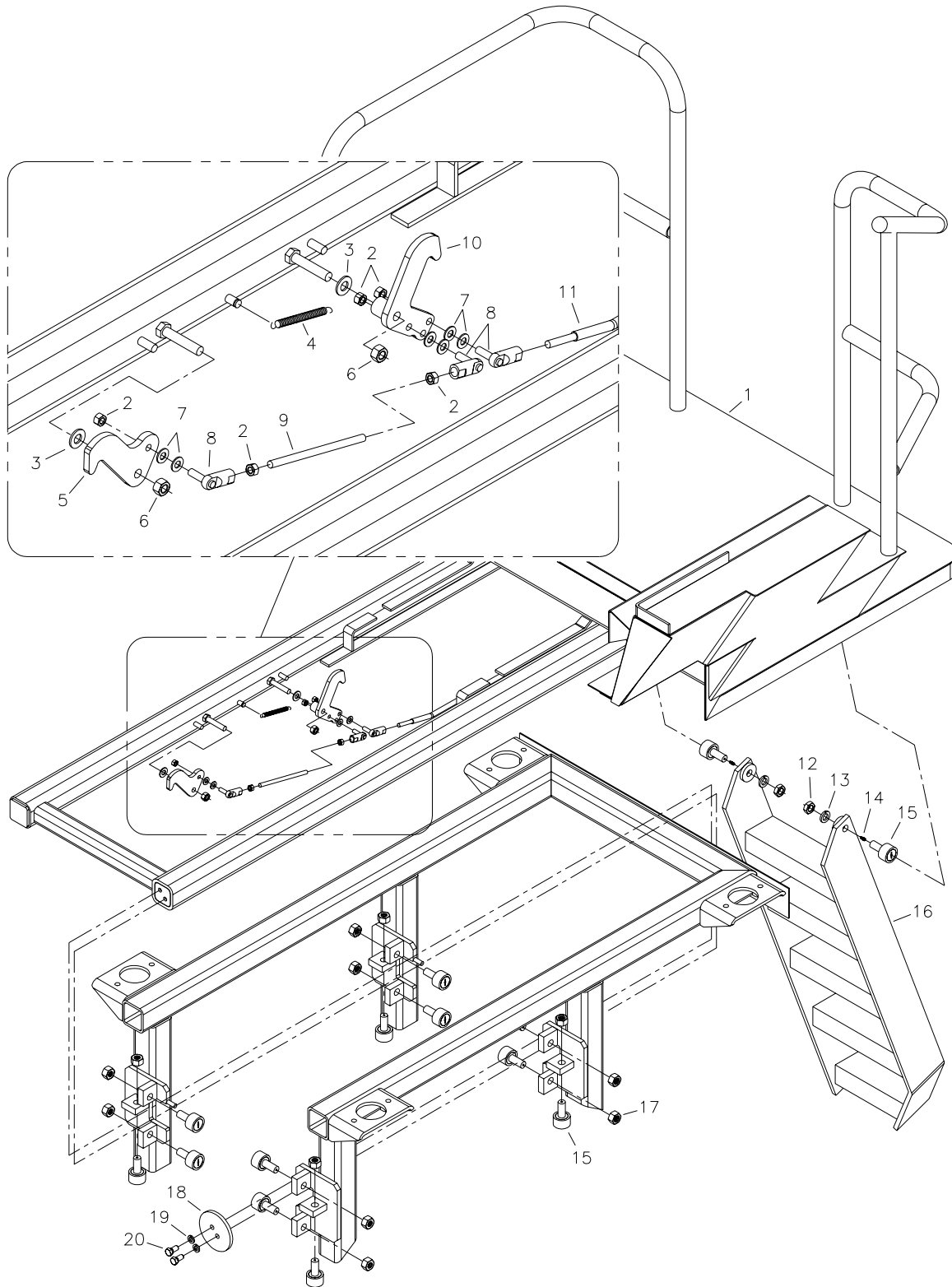


PARTS MANUAL

Gandy Applicator - Parts List

Item#	Part#	Description	Qty.	Remarks
1	1206087	Extension, Hopper	1	14 - Gallon
2	1500005	Applicator, 4 hole	1	
3	ref.	Cap Screw, Hex	2	5/8-11NC x 3-1/2
4	1500281	Isolator	2	
5	ref.	Nut, Hex lock	2	5/8-11NC
6	ref.	Tube, Clear vinyl	4	1 x 21
7	ref.	Pipe, PVC	2	1 sch 40 x 40
8	ref.	Pipe, PVC	2	1 sch 40 x 35
9	1541249	Clamp,	8	1-1/4 single T
ref.	1120564	Kit, PVC pipes	ref	

Operator's Platform

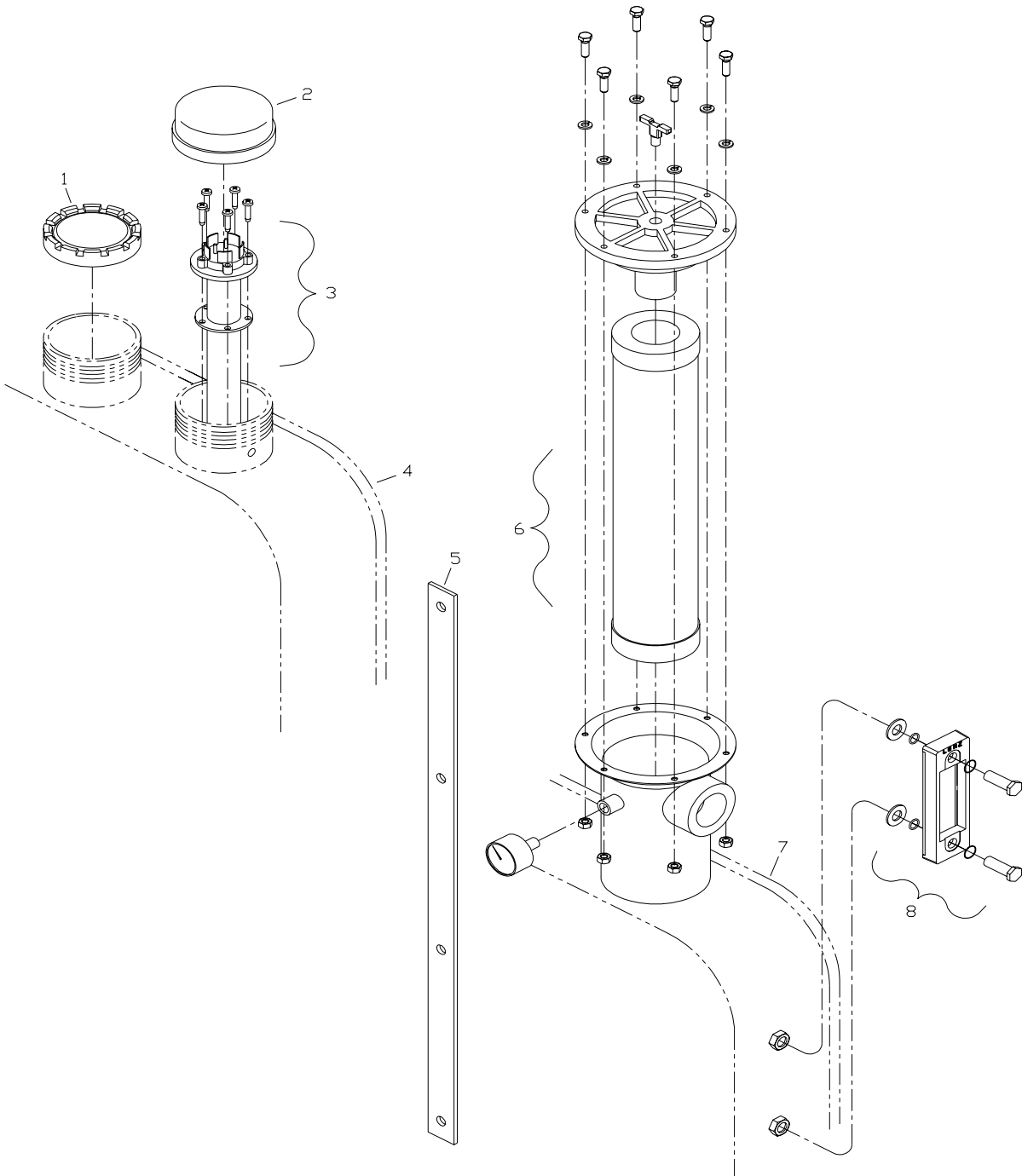


PARTS MANUAL

Operator's Platform - Parts List

Item#	Part#	Description	Qty.	Remarks
1	1204012	Platform Assembly	1	
2	ref.	Nut, Hex	5	3/8-16NC
3	ref.	Washer, Flat	2	1/2
4	ref.	Spring, Extension	1	
5	ref.	Latch	1	closed position
6	ref.	Nut, Hex lock	2	1/2-13NC
7	ref.	Washer, Lock	4	3/8
8	1502051	Bearing, Rod End	3	
9	ref.	Rod, Adjustment	1	
10	ref.	Latch	1	open position
11	ref.	Lever, Latch	1	
12	ref.	Nut, Hex jam lock	2	3/4-10NC
13	ref.	Washer, Lock	2	3/4
14	ref.	Lubricator, press in	2	
15	1510056	Bearing, cam follower	14	
16	1204029	Ladder, Aluminum	1	
17	ref.	Nut, Hex lock	12	3/4-10NC
18	ref.	Retainer	1	platform side
19	ref.	Washer, Lock	2	1/2
20	ref.	Cap Screw, Hex	2	1/2-13-NC x 1

Tank Components



PARTS MANUAL

Tank components - Parts List

Item#	Part#	Description	Qty.	Remarks
1	1500058	Cap, 3" Vented	2	
2	1541742	Cap, 3" Pipe	1	
3	1501499	Sender, Fuel	1	36 inch
	ref	Tube	1	
	ref	Gasket	1	
	ref	Cap Screw	5	
4	ref	Tank, Fuel	1	
5	1050001	Shim, Tank	2	
6	1540168	Filter, Hydraulic return	2	
	ref	Bowl Assembly	1	
	ref	Cover Assembly	1	
	ref	O-ring, Cover	1	
	ref	Cap Screw, Hex	6	
	ref	Element	1	
	ref	Gauge, Pressure	1	25 psi
7	ref	Tank, Hydraulic	1	
8	1500156	Gauge, Sight Level/Temperature	1	