

Parts Manual



The parts manual is organized into groups, it is designed to make the locating of parts easier. The exploded drawings also show assembly paths. All parts listed are available from your authorized Ag-Bag® Dealer.

G7000

THIS PAGE INTENTIONALLY LEFT BLANK

PARTS

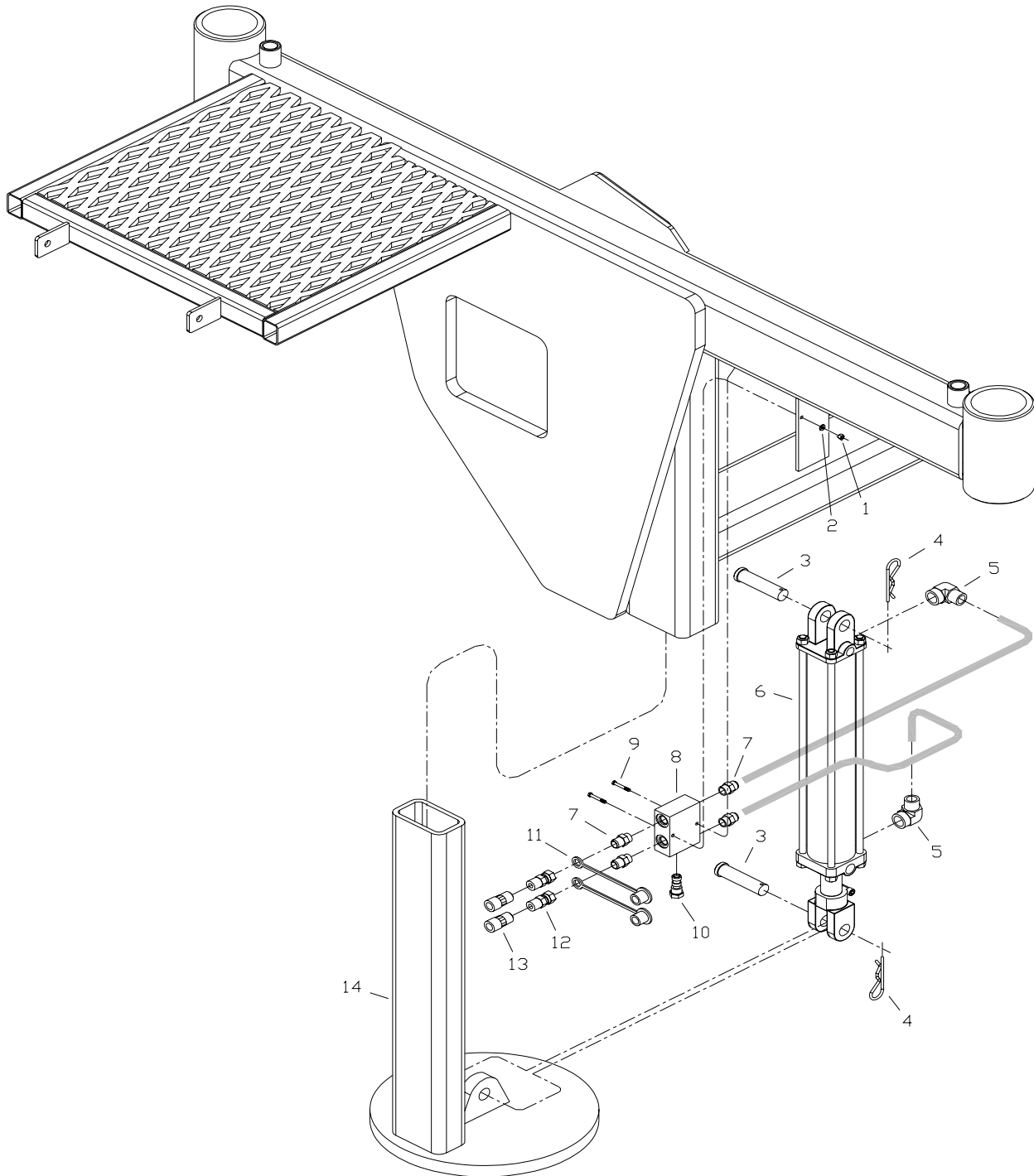
| | |
|---|----|
| TOWING SYSTEM | 4 |
| LIFT JACK CAB END | 6 |
| BAGGING HITCH | 8 |
| HOPPER - FEED TABLE MOUNT | 10 |
| WHEEL | 12 |
| STEERING | 14 |
| ROTOR GROUP | 16 |
| PTO TRACTOR | 18 |
| PTO INTERMEDIATE | 20 |
| PLANETARY COOLING SYSTEM | 22 |
| BEATER BAR GROUP | 24 |
| CABLE DRUM & BACKSTOP | 26 |
| BRAKE & CABLE DRUM | 28 |
| TUNNEL, EXTENSION & CLEAN OUT | 30 |
| CONVERTIBLE TUNNEL, EXTENSION & CLEAN OUT | 32 |
| BAG BOOM & CRADLE | 34 |
| BAG PAN SYSTEM | 36 |
| FEED TABLE - DRIVE END | 38 |
| FEED TABLE - IDLE END | 39 |
| FEED TABLE WHEEL | 42 |
| HYDRAULICS - PRIMARY SYSTEM | 44 |
| HYDRAULICS - FEED TABLE BELT | 46 |
| HYDRAULICS - UPPER BEATER BAR | 48 |
| HYDRAULICS - FEED TABLE LIFT | 50 |
| HYDRAULICS - TUNNEL CLEAN OUT | 52 |
| HYDRAULICS - CABLE REWIND | 54 |
| GANDY APPLICATOR | 56 |

PARTS MANUAL

Towing System - Parts List

| Item# | Part# | Description | Qty. | Remarks |
|-------|---------|---|------|------------------|
| 1 | 1120011 | Bar, Wheel Turn | 1 | |
| 2 | 1010035 | Lock, Manual Steering Wheel | 2 | |
| 3 | Ref. | Nut, Hex | 2 | 1/4-20 |
| 4 | Ref. | Washer, Flat | 2 | 1/4 |
| 5 | Ref. | Coupler, Hydraulic | 4 | |
| 6 | 1212008 | Manifold, Cylinder Check Valve | | |
| 7 | Ref. | Capscrew, Hex | 2 | 1/4-20nc x 2-1/2 |
| 8 | 1541795 | Valve, PO Check | 1 | |
| 9 | 1501094 | Cap, Plastic Female Pioneer | 2 | |
| 10 | 1540369 | Cylinder, Hydraulic | 2 | 3 x 18 |
| 11 | 1540115 | Coupler, quick Female | 2 | 1/2 NPTF |
| 12 | 1120046 | Pin, Pintle Hitch | 1 | 1-1/4 x 5-1/4 |
| 13 | 1550170 | Pin, Hitch | 2 | 1 x 8 |
| 14 | Ref. | Brace, Pintle Hitch | 1 | |
| 15 | Ref. | Pin, Hair | 5 | |
| 16 | Ref. | Hitch Pintle | 1 | |
| 17 | Ref. | Jack Base, Two End | 1 | |
| 18 | 1541342 | Cylinder, Hydraulic | 1 | 3 x 18 |
| 19 | Ref. | Pin, Clevis | 2 | |
| 20 | 1100081 | Fitting, Assembly C5405 x 8 x 8 - 7238 x 6.055 | 2 | |
| 21 | Ref. | Hose Assembly, Jack Long | 1 | |
| 22 | Ref. | Hose Assembly, Jack Short | 1 | |

Lift Jack Cab End

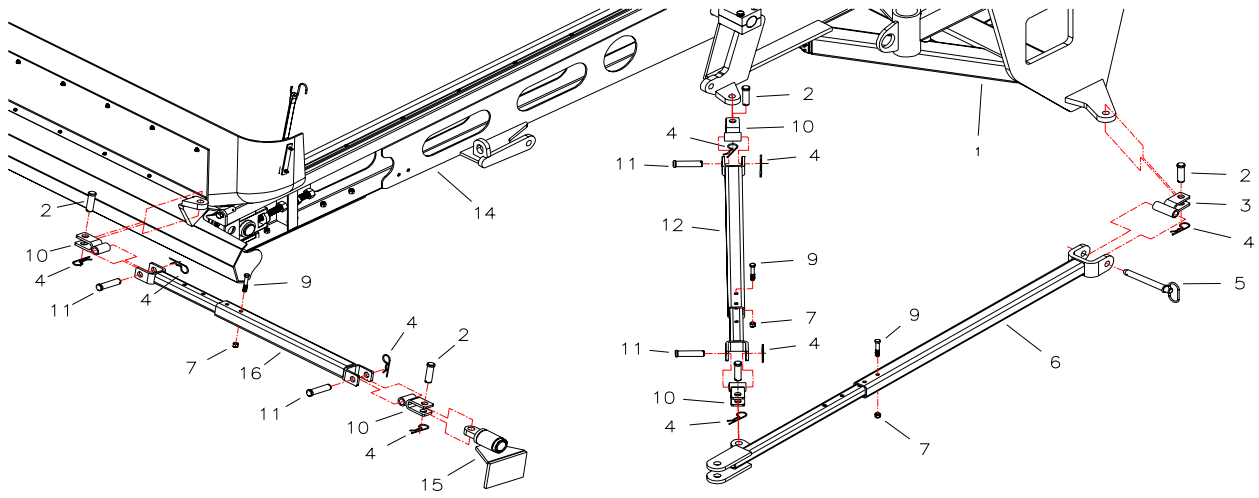


PARTS MANUAL

Lift Jack Cab End - Parts List

| Item# | Part# | Description | Qty. | Remarks |
|-------|---------|--|------|------------------|
| 1 | Ref. | Nut, Hex | 2 | 1/4-20 |
| 2 | Ref. | Washer, Flat | 2 | 1/4 |
| 3 | Ref. | Pin, Clevis | 2 | |
| 4 | Ref. | Pin, Hair | 5 | |
| 5 | 1100081 | Fitting Assembly C5405 x 8 x 8 - 7238 x 6.055 | 2 | |
| 6 | 1541342 | Cylinder, Hydraulic | 1 | 3 x 18 |
| 7 | Ref. | Coupler, Hydraulic | 4 | |
| 8 | 1212008 | Manifold, Cylinder Check Valve | 1 | |
| 9 | Ref. | Capscrew, Hex | 2 | 1/4-20nc x 2-1/2 |
| 10 | 1541795 | Valve, PO Check | 1 | |
| 11 | 1501094 | Cap, Plastic Female Pioneer | 2 | |
| 12 | 1540369 | Fitting, Hydraulic | 2 | 9100 x 8 x 8 |
| 13 | 1540115 | Coupler, quick Female | 2 | 1/2 NPTF |
| 14 | 1212016 | Jack Base, Hydraulic | 1 | Platform End |

Bagging Hitch

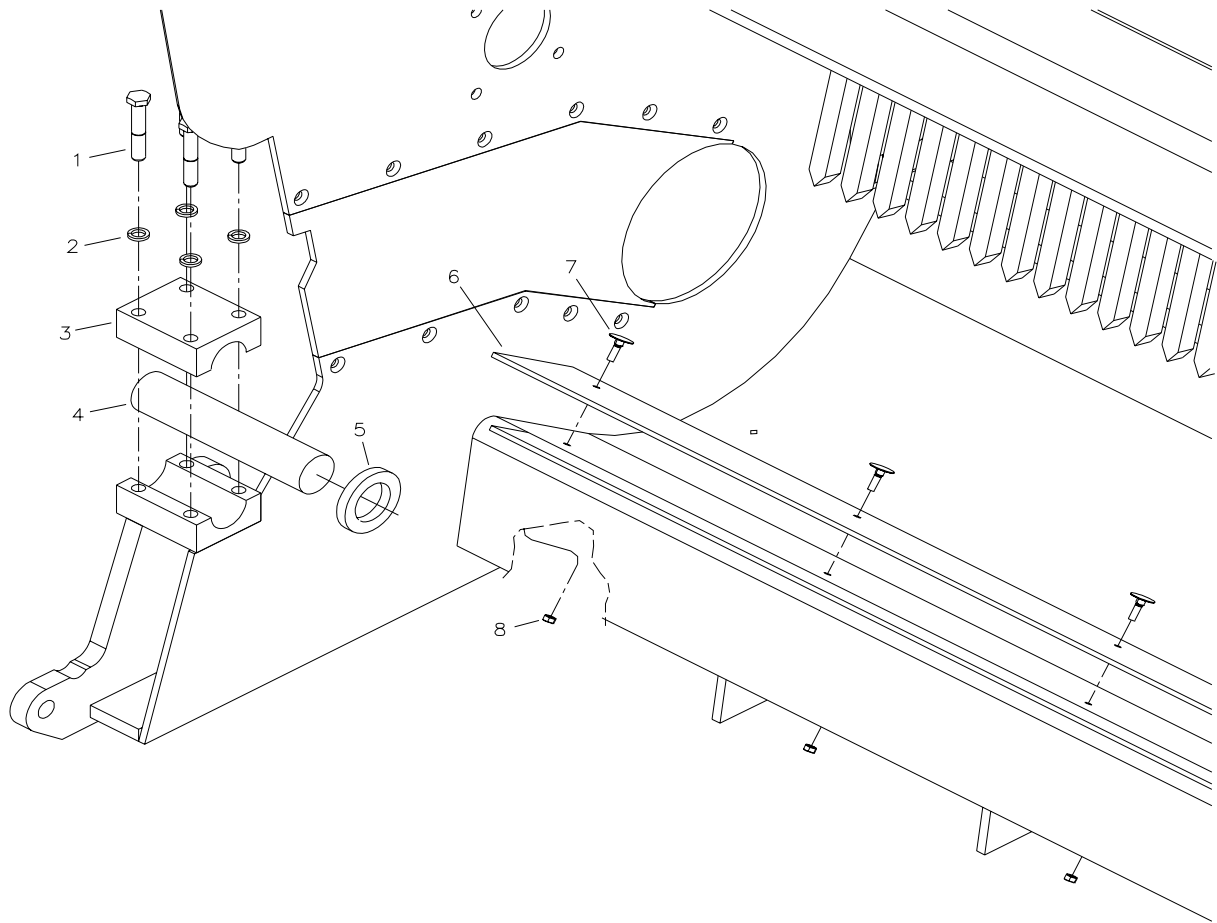


PARTS MANUAL

Bagging Hitch - Parts List

| Item# | Part# | Description | Qty. | Remarks |
|-------|---------|-----------------------------------|------|---------------|
| 1 | Ref. | Frame | 1 | |
| 2 | 1550156 | Pin, Clevis | 5 | 1 x 3-1/4 |
| 3 | 1110001 | Clevis, Tow Hitch | 1 | |
| 4 | 1550168 | Pin, Hair | 9 | |
| 5 | 1550170 | Pin, Hitch | 2 | |
| 6 | 1110004 | Hitch, tow | 1 | |
| 7 | 1550126 | Nut, Hex | 3 | 1/2-13nc Lock |
| 8 | N/A | | | |
| 9 | 1550022 | Capscrew, Hex | 3 | 1/2-13nc x 3 |
| 10 | 1110002 | Clevis, Side Hitch | 1 | |
| 11 | 1550158 | Pin, Clevis | 4 | 1 x 4 |
| 12 | 7011002 | Hitch, Side | 1 | |
| 14 | Ref. | Feed Table | 1 | |
| 15 | 1080005 | Bracket, Feed Table Tractor Mount | 1 | |
| 16 | 7011000 | Hitch, Feed Table Side | 1 | |

Hopper - Feed Table Mount

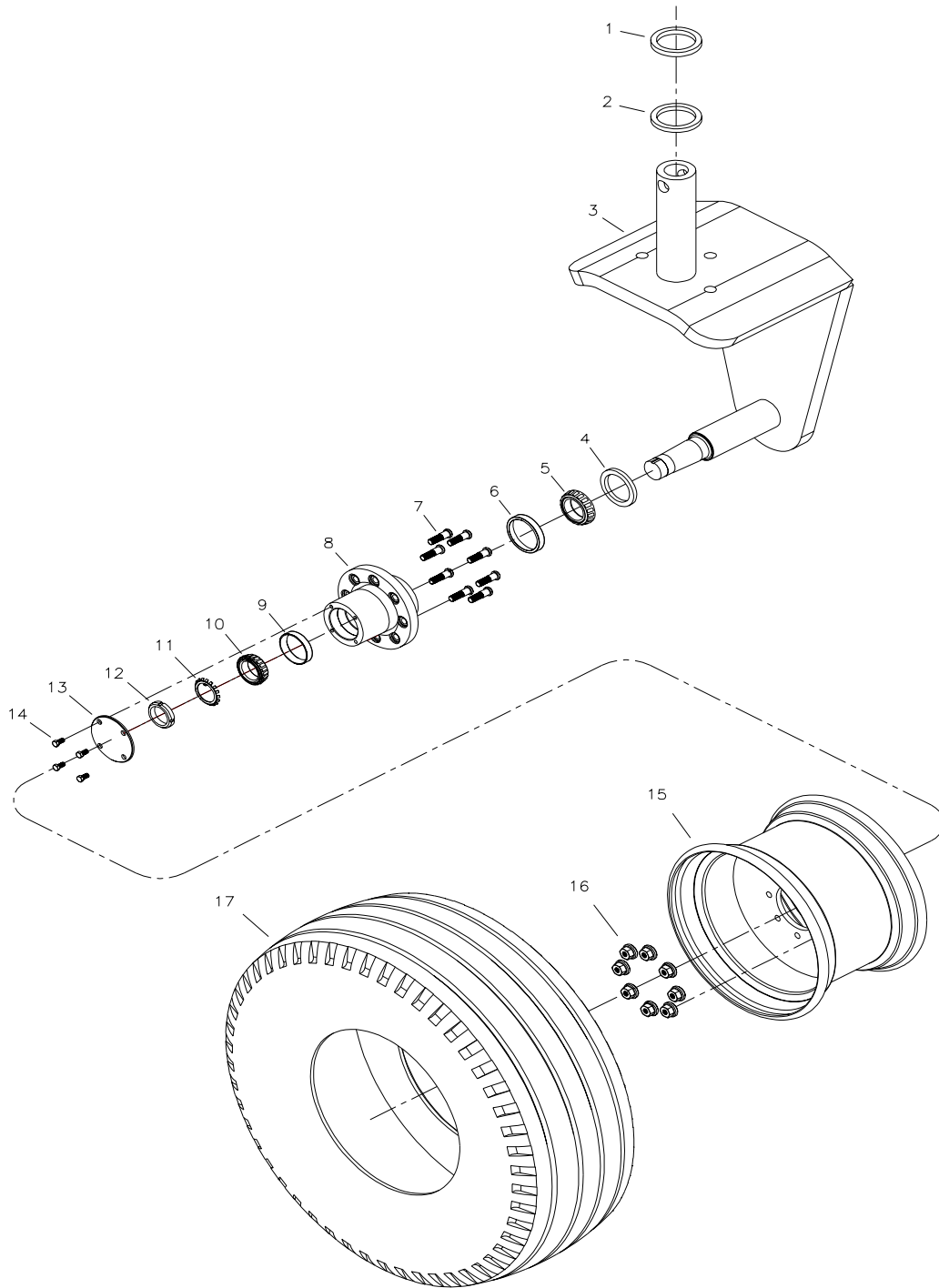


PARTS MANUAL

Hopper Feed Table Mount - Parts List

| Item# | Part# | Description | Qty. | Remarks |
|-------|---------|---|------|------------------------|
| 1 | ref. | Capscrew, Hex | 8 | 5/8-11nc x 3 |
| 2 | ref. | Washer, Lock | 8 | 5/8 |
| 3 | ref. | Anchor Block, Feed Table mounting shaft | 2 | |
| 4 | 1080048 | Shaft, Feed Table mounting | 2 | |
| 5 | 1120449 | Spacer, Feed Table | 2 | |
| 6 | ref. | Liner, UHMW | 1 | |
| 7 | ref. | Capscrew, counter sunk elevator | 8 | 5/16-18nc x 1-1/4 flat |
| 8 | ref. | Nut, Hex | 11 | 5/16-18nc lock |

Wheel

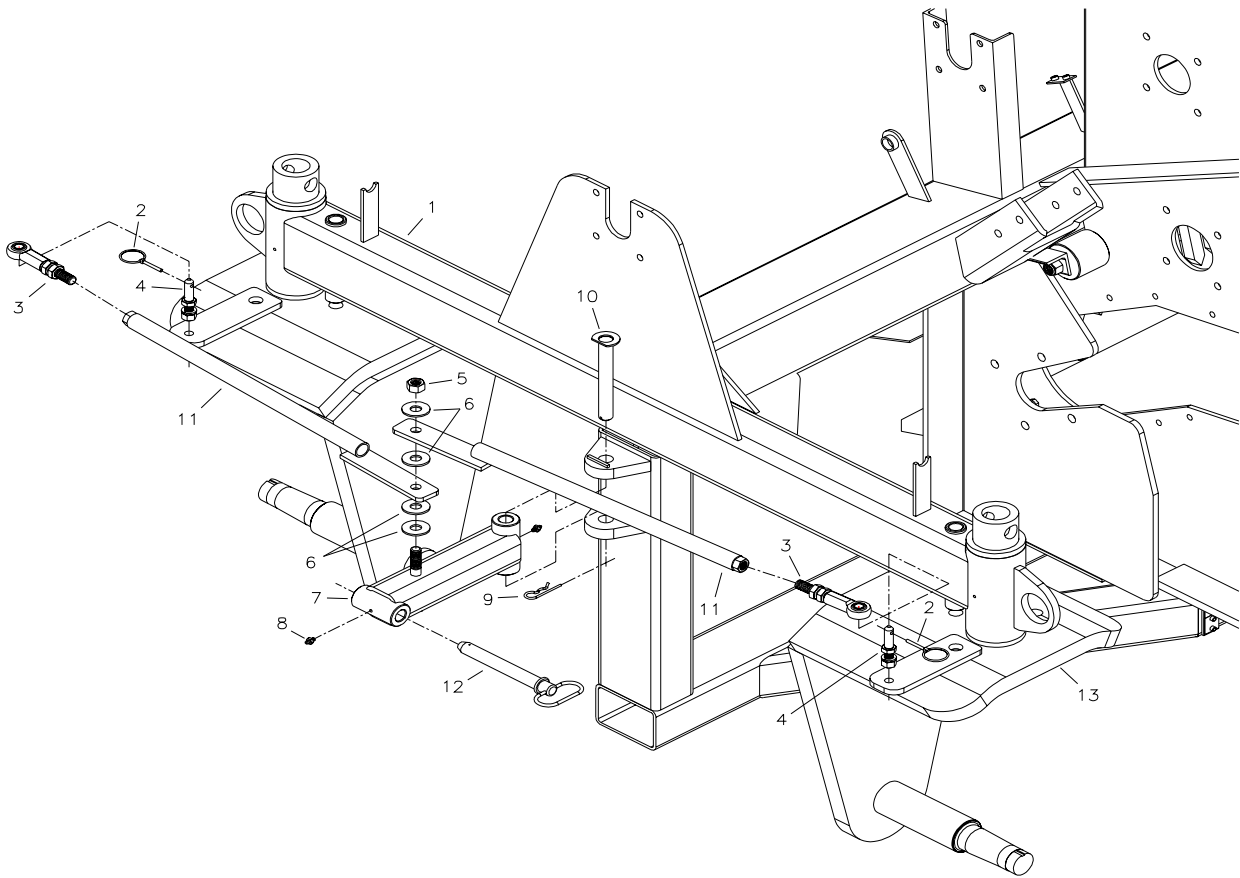


PARTS MANUAL

Wheel - Parts List

| Item# | Part# | Description | Qty. | Remarks |
|-------|---------|------------------------------|------|--------------------|
| 1 | 1010049 | Ring, Wheel Column Retaining | 1 | 4 |
| 2 | 1010050 | Spacer, Wheel Column Bronze | 1 | 4 ID |
| 3 | 7001022 | Wheel Column Weldment | 1 | 20-1/2 Drive |
| 4 | 1500367 | Seal, Oil | 1 | 417159 |
| 5 | 1510087 | Bearing, Roller Cone | 1 | |
| 6 | 1510131 | Bearing, Roller Cup | 1 | |
| 7 | 1550295 | Stud, 9/16 x 2 15/16 | 8 | NAPA 641-3223 |
| 8 | 1010076 | Hub, Wheel 8000 Welded | 1 | |
| 9 | 1510225 | Bearing, Roller Cup | 1 | |
| 10 | 1510092 | Bearing, Roller Cone | 1 | |
| 11 | 1550230 | Washer, Lock | 1 | External Tooth W10 |
| 12 | 1550138 | Nut, Lock | 1 | W10 |
| 13 | 1010012 | Cover, Wheel Hub | 1 | |
| 14 | 1550064 | Cable Drum, Inboard Brake | 1 | 250-foot |
| 15 | 1501494 | Rim, 19.5 x 12.25 Idle | 1 | 8-hole |
| 16 | 1550142 | Nut, Lug | 8 | 9/16 |
| 17 | 1501493 | Tire, 385/65 R19.5 | 1 | |
| Ref. | 1501528 | Stem, Valve | 1 | 502 |
| Ref. | 1501526 | Tire, W/Rim 385/65R 19.5 | 1 | |
| Ref. | 1010035 | Lock, Manual Steering Wheel | 1 | |
| Ref. | 1120011 | Bar, Wheel Turn | 1 | |

Steering

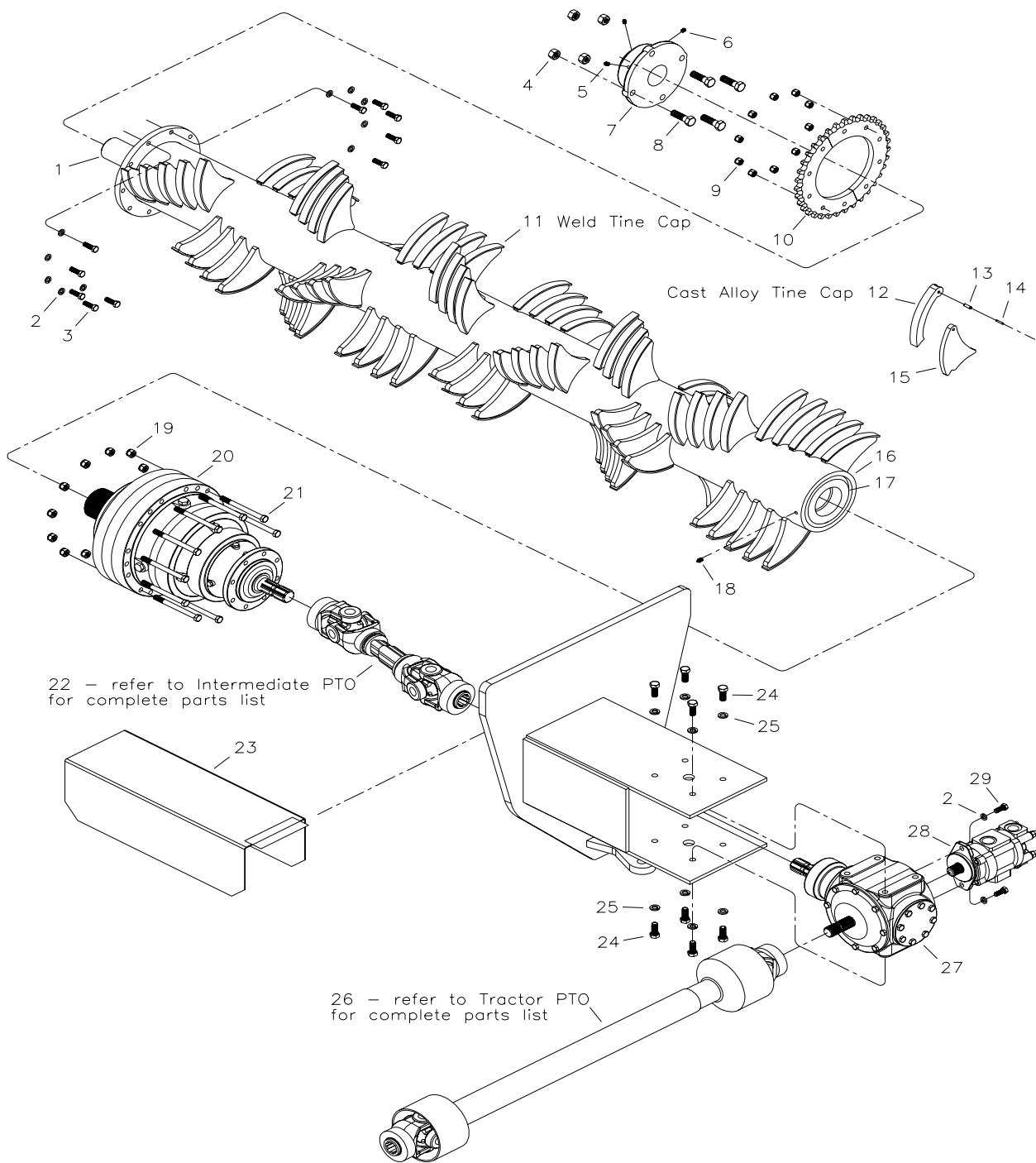


PARTS MANUAL

Steering - Parts List

| Item# | Part# | Description | Qty. | Remarks |
|-------|---------|---------------------------------|------|----------------|
| 1 | Ref | Frame | 1 | |
| 2 | 1550184 | Pin, Snap | 2 | |
| 3 | 1010024 | Rod, End | 2 | |
| 4 | 1550186 | Pin, Lift Arm Adjustable | 2 | 5/8 |
| 5 | Ref. | Nut, Hex | 1 | 3/4-10nc lock |
| 6 | Ref. | Washer | ref | flat |
| ref | 1120059 | Spacer, Steering | ref | |
| 7 | 1110005 | Pivot Arm, Steering Hitch Mount | 1 | |
| 8 | Ref. | Fitting, Grease Zerk | 1 | 1/4-28nf |
| 9 | 1550169 | Pin, Hair | 1 | 5/32 x 2-15/16 |
| 10 | 1120047 | Pin, Steering Hitch | 1 | 1 x 8 |
| 11 | 1110000 | Arm, Steering | 2 | |
| 12 | 1550170 | Pin, Hitch | 1 | 1 x 8 |
| 13 | 7001021 | Wheel Column Weldment | ref | |
| ref | 1120011 | Bar, Wheel Turning | 1 | |
| ref | 1010035 | Lock, Manual Steering Wheel | ref | |

Rotor Group



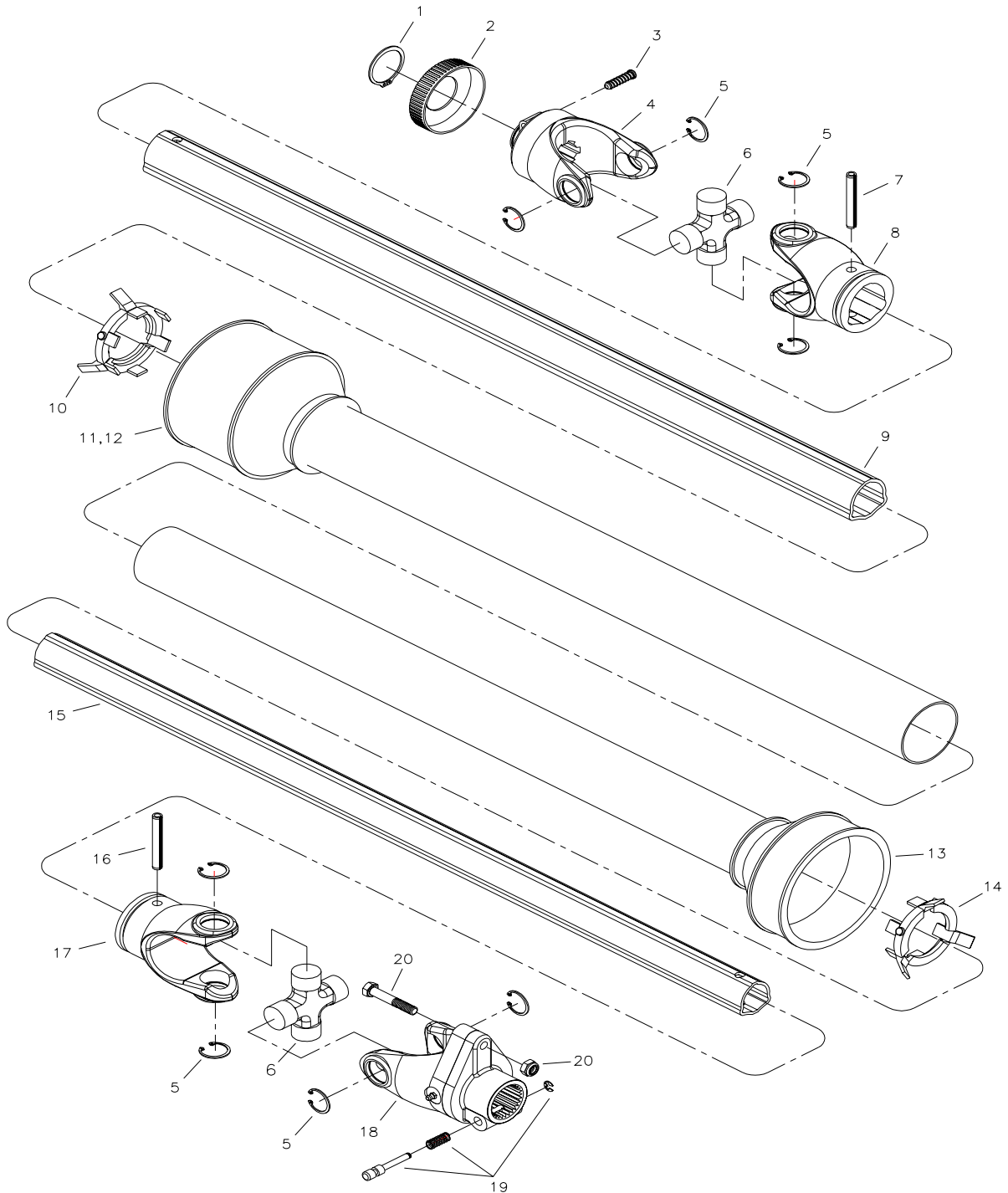
PARTS MANUAL

Rotor Group - Parts List

| Item# | Part# | Description | Qty. | Remarks |
|-------|---------|-------------------------------------|------|------------------------|
| 1 | 6002008 | Stub Shaft, Rotor Idle | 1 | 2-15/16 x 15 |
| 2 | ref. | Washer, Split Lock | ref | 1/2 |
| 3 | ref. | Capscrew, Hex | 10 | 1/2-13nc x 1-1/2 |
| 4 | ref. | Nut, Hex | 4 | 1/2-13nc lock |
| 5 | 1541638 | Fitting, Grease 1610-BL | 1 | |
| 6 | 1550335 | Screw, Set | 2 | |
| 7 | 1510025 | Bearing, 4-Bolt Flange Spherical | 1 | |
| 8 | ref. | Capscrew, Hex | 4 | 3/4-10nc x 2-1/2 |
| 9 | ref. | Nut, Hex | 10 | 1/2-13nc lock |
| 10 | 1120496 | Sprocket, Beater Bar Drive | 1 | Rotor 100A35 |
| 11 | 1020001 | Cap, Tine | 100 | 1 x 3/16 x 8-13/17 |
| 12 | 1020021 | Cap, Tine Removable Cast | 100 | |
| 13 | ref. | Pin, Slotted Spring | 100 | 3/8 x 1 |
| 14 | ref. | Pin, Slotted Spring | 100 | 5/16 x 1 |
| 15 | 1020049 | Tooth, Rotor 9/16 Drilled | 100 | |
| 16 | 7002018 | Rotor Sub Weldment, Planetary Drive | 1 | 106-inch |
| 17 | 7002001 | Billet, Planetary 3000 | 1 | 7-1/2 SCH 120 |
| ref. | 1020048 | Burn, Billet Grease Cap R3000 | 1 | |
| 18 | Ref. | Lubricator | 1 | |
| 19 | Ref. | Nut, Hex | 12 | 9/16-12nc lock |
| 20 | 1520693 | Planetary, RR3500 26:1 | 1 | |
| 21 | Ref. | Capscrew, Hex | 12 | 9/16-12nc 12nc x 7 |
| 22 | 1502252 | Shaft, PTO #10 | 1 | 1-3/4 6T x 1-3/4 6T 3" |
| 23 | Ref. | Guard. PTO Intermediate | 1 | |
| 24 | Ref. | Capscrew, Hex | 8 | m16 x 40 |
| 25 | Ref. | Washer, Split Lock | 8 | 5/8 |
| 26 | 1502237 | PTO Shaft, Tractor to Gearbox | 1 | |
| 27 | 1520390 | Gearbox, R150 | 1 | |
| 28 | 1541698 | Pump, Hydraulic Tyrone | 1 | |
| 29 | Ref. | Capscrew, Hex | 2 | m12 x 30 |

PARTS MANUAL

PTO Tractor

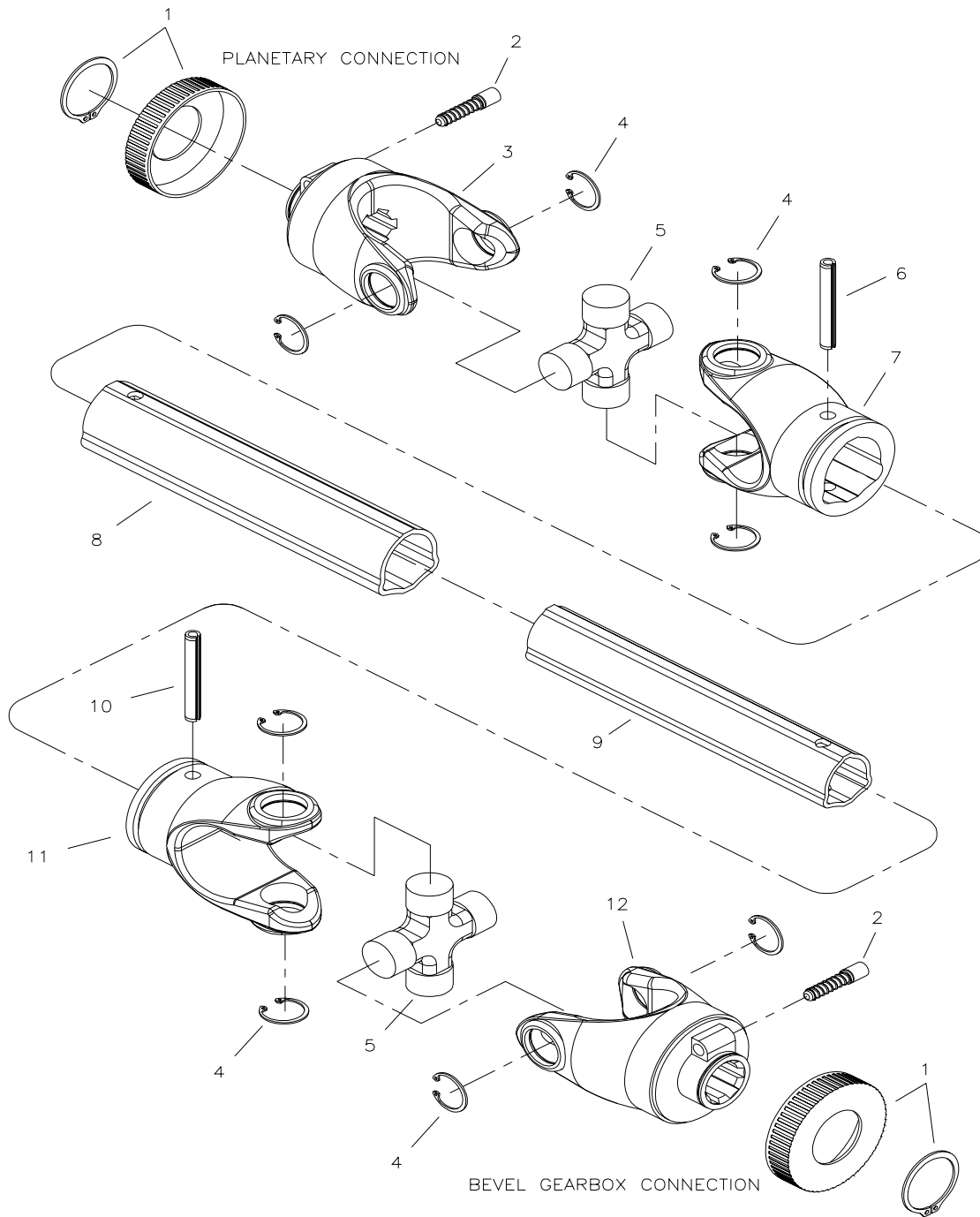


PARTS MANUAL

PTO Tractor - Parts List

| Item# | Part# | Description | Qty. | Remarks |
|-------|---------|---|------|--------------|
| 1 | Ref. | Ring, Retaining - Quick Disconnect Collar | 1 | |
| 2 | Ref. | Collar, Quick Disconnect - w/Retaining Ring | 1 | |
| 3 | Ref. | Pin, Quick Disconnect - w/Spring | 1 | |
| 4 | Ref. | Yoke, Tractor End - w/Collar & Pin | 1 | |
| | Ref. | Ring, Retaining - Bearing | 8 | |
| 6 | 1501790 | U-Joint | 2 | |
| 7 | Ref. | Pin, Spring - Tractor End | 1 | |
| 8 | Ref. | Yoke, Outer Tube | 1 | |
| 9 | Ref. | Tube, Outer | 1 | |
| 10 | 1501722 | Bearing, Shield Outer | 1 | 255080005R02 |
| 11 | Ref. | Shield, Complete | 1 | |
| 12 | Ref. | Shield, Outer Half - w/Bearing | 1 | |
| 13 | Ref. | Shield, Inner Half - w/Bearing | 1 | |
| 14 | 1501723 | Bearing, Shield Inner | 1 | 255080006R02 |
| 15 | Ref. | Tube, Inner | 1 | |
| 16 | Ref. | Pin, Spring - Implement End | 1 | 341045000R10 |
| 17 | Ref. | Yoke, Inner Tube | 1 | |
| 18 | Ref. | Yoke, Implement End | 1 | |
| 19 | Ref. | Pin, Taper Lock | 1 | |
| 20 | Ref. | Pin, Shear - w/pin | 1 | |

PTO Intermediate

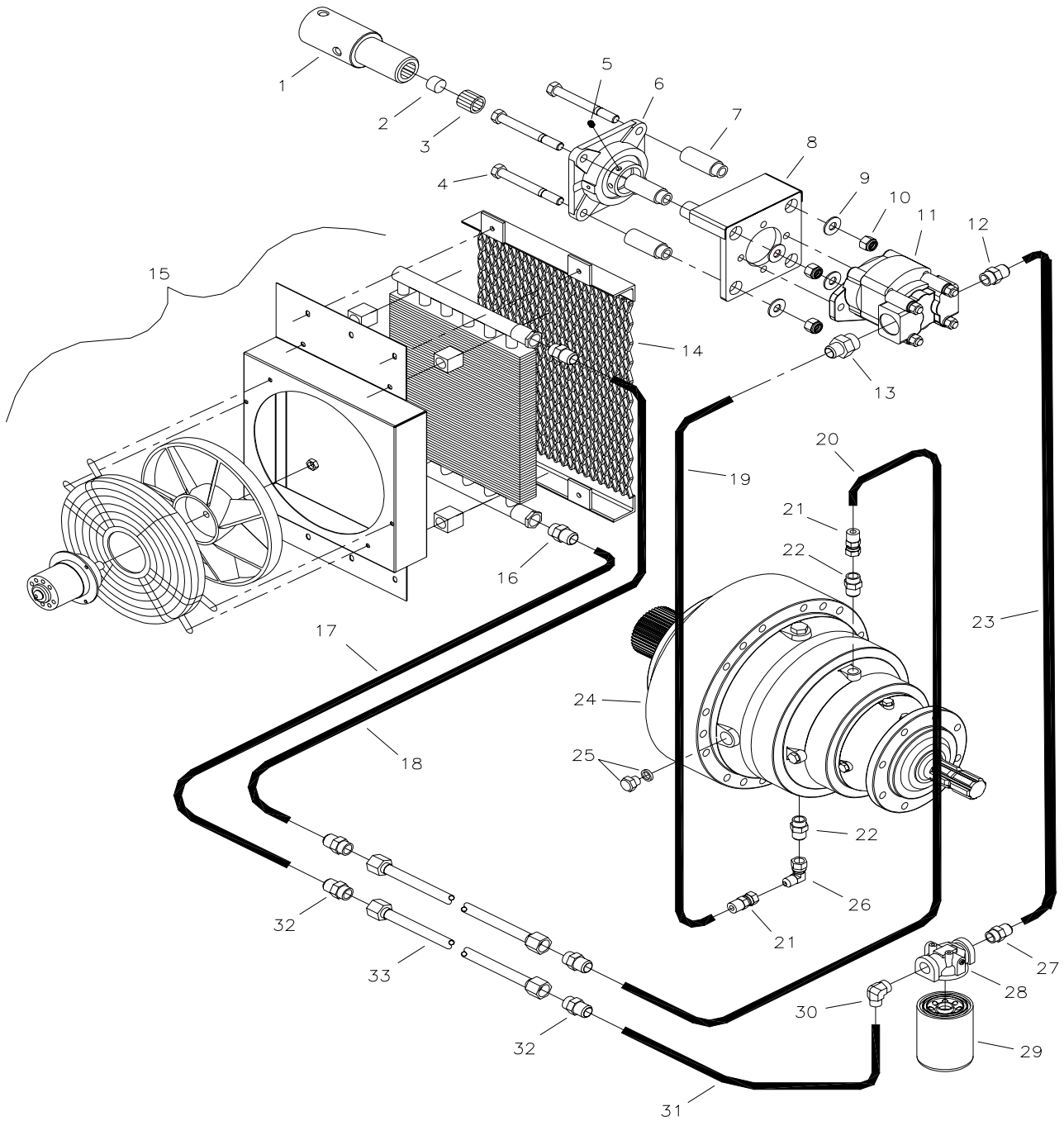


PARTS MANUAL

PTO Intermediate - Parts List

| Item# | Part# | Description | Qty. | Remarks |
|--------------|--------------|---------------------------------|-------------|----------------|
| Ref | 1501999 | Shaft, PTO - Intermediate | 1 | |
| 1 | Ref. | Kit, Collar | 2 | 240003552 |
| 2 | Ref. | Pin, Release | 2 | 403000012R10 |
| 3 | Ref. | Yoke, Outer - Includes Collar | 1 | 572100461 |
| 4 | Ref. | Ring, Retaining - Bearing | 8 | 338027000 |
| 5 | 1501754 | Bearing, U-Joint | 2 | 41210 |
| Ref | Ref. | Grease Fitting (not shown) | 2 | 348004000 |
| 6. | Ref. | Pin, Roll | 1 | 341045000R10 |
| 7. | Ref. | Yoke, Inner - Includes Roll Pin | 1 | 204106852 |
| 8 | Ref. | Tube, Outer | 1 | 12514 |
| 9 | Ref. | Tube, Inner | 1 | 12515 |
| 10 | Ref. | Pin, Roll | 1 | 341044000R10 |
| 11 | Ref. | Yoke, Inner - Includes Roll Pin | 1 | 204106851 |
| 12 | Ref. | Yoke, Outer, Includes Collar | 1 | 572100461 |

Planetary Cooling System

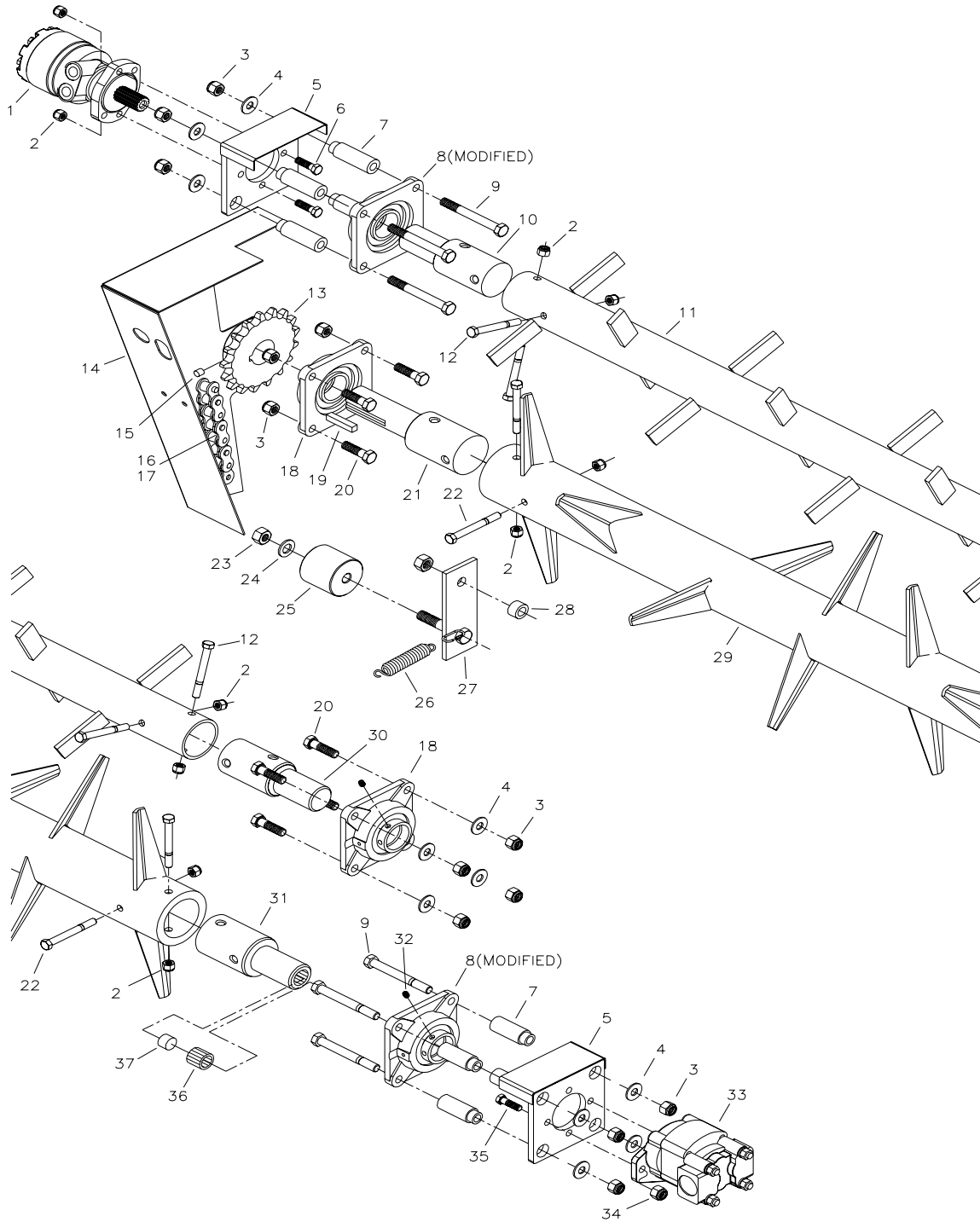


PARTS MANUAL

Planetary Cooling System - Parts List

| Item# | Part# | Description | Qty. | Remarks |
|-------|---------|---------------------------------------|------|------------------|
| 1 | 1020011 | Shaft, Beater Bar Stub | 1 | 3 x 8-9/16 Drive |
| 2 | 1100093 | Spacer, Pump Coupling - Beater Driven | 1 | |
| 3 | 1520766 | Adaptor, Splined 1.25 14T to 7/8 13T | 1 | |
| 4 | ref. | Capscrew, Hex | 4 | 5/8-11nc x 5-1/2 |
| 5 | ref. | Lubricator | 1 | |
| 6 | 1020035 | Bearing, 4-Bolt Flange Shaved | 1 | 2-3/16 |
| 7 | 1120058 | Spacer, Beater Bar Motor Mount | 4 | |
| 8 | 1020009 | Mount, Beater Bar Hydraulic Motor | 1 | |
| 9 | ref. | Washer, Flat | 4 | 5/8 |
| 10 | ref. | Nut, Hex | 4 | 5/8-11nc Lock |
| 11 | 1541860 | Pump, Hydraulic Tyrone 180cc | 1 | A PAD CW ROT |
| 12 | ref. | Coupler, Pump Pressure | 1 | |
| 13 | ref. | Coupler, Pump Suction | 1 | |
| 14 | ref. | Screen Chaff | 1 | |
| 15 | 1502039 | Cooler, Oil Hayden | 1 | |
| 16 | ref. | Coupler, Oil Cooler | 2 | |
| 17 | ref. | Hose Assembly, Pressure - Oil Cooler | 1 | |
| 18 | ref. | Hose Assembly, Return - Oil Cooler | 1 | |
| 19 | ref. | Hose Assembly, Suction - Pump | 1 | |
| 20 | ref. | Hose Assembly, Pressure - Planetary | 1 | |
| 21 | ref. | Coupler, Planetary Inlet | 2 | |
| 22 | ref. | Reducer, Planetary Ports | 2 | |
| 23 | ref. | Hose Assembly, Pressure - Pump | 1 | |
| 24 | 1520693 | Planetary, RR3500 26:1 | 1 | |
| 25 | 1501997 | Gauge, Sight | 1 | 3/8 |
| 26 | ref. | Coupler, Planetary Outlet | 1 | |
| 27 | ref. | Coupler, Filter Inlet | 1 | |
| 28 | 1540166 | Base, Filter | 1 | |
| 29 | 1540167 | Filter, Hydraulic | 1 | |
| 30 | ref. | Coupler, Filter Outlet | 1 | |
| 31 | ref. | Hose Assembly, Filter Outlet | 1 | |
| 32 | ref. | Coupler, Hardline | 4 | |
| 33 | ref. | Hardline Assembly | 2 | |

Beater Bar Group

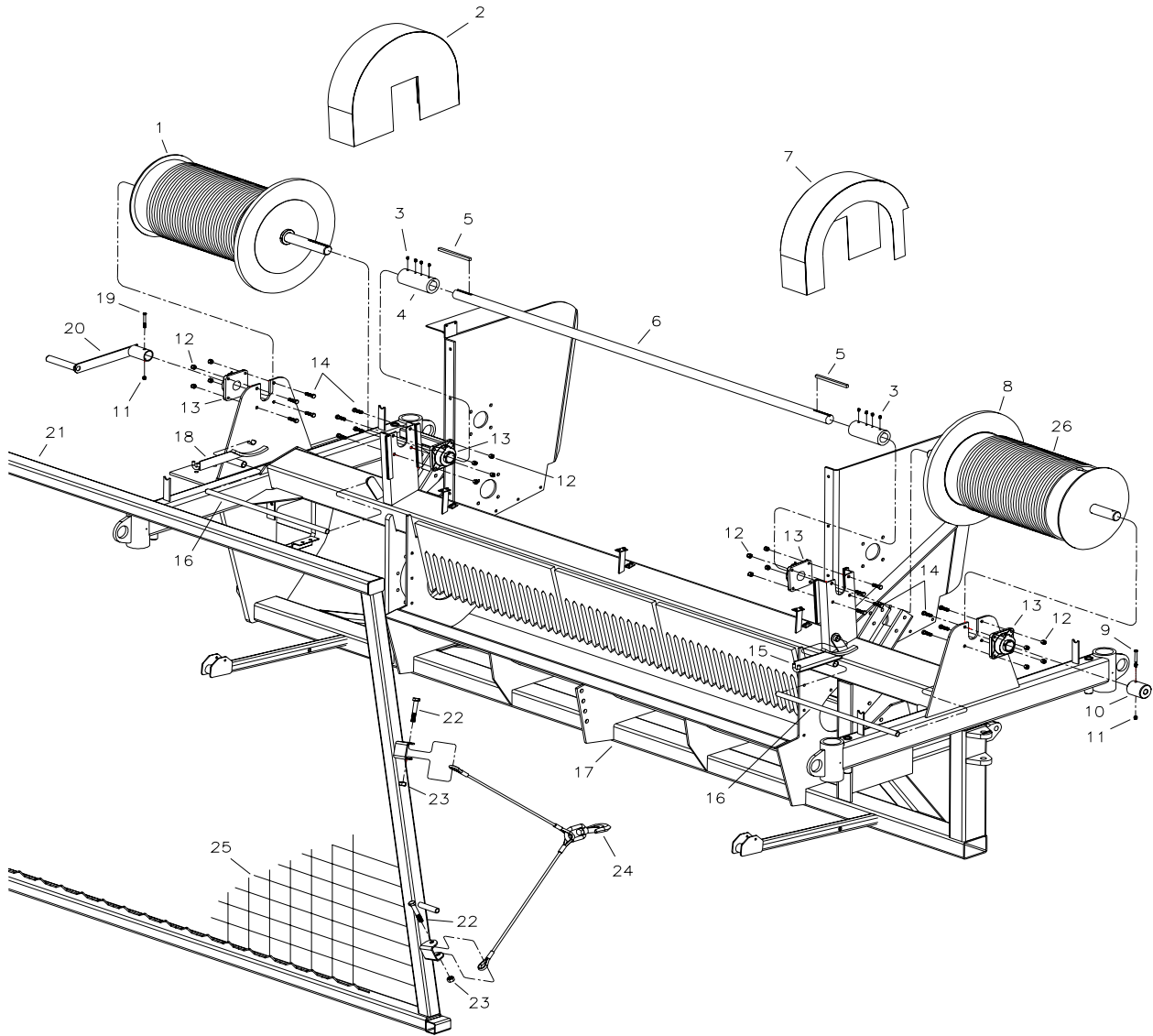


PARTS MANUAL

Beater Bar Group - Parts List

| Item# | Part# | Description | Qty. | Remarks |
|-------|---------|---------------------------------------|------|--------------------|
| 1 | 1540935 | Motor, Hydraulic White Splined | 1 | |
| 2 | ref. | Nut, Hex | 8 | 1/2-13nc lock |
| 3 | ref. | Nut, Hex | 16 | 5/8-11nc lock |
| 4 | ref. | Washer, Flat | 16 | 5/8 |
| 5 | 1020009 | Mount, Beater Bar Hydraulic Motor | 2 | |
| 6 | ref. | Capscrew, Hex | 2 | 1/2-13nc x 1-3/4 |
| 7 | 1120058 | Spacer, Beater Bar Motor Mount | 8 | |
| 8 | 1020035 | Bearing, 4-Bolt Flange Shaved | 2 | 2-3/16 |
| 9 | ref. | Capscrew, Hex | 8 | 5/8-11nc x 5-1/2 |
| 10 | 1020011 | Shaft, Beater Bar Stub Drive | 1 | 3 x 8-9/16 |
| 11 | 7002000 | Beater, Upper | 1 | 99-1/2 |
| 12 | ref. | Capscrew, Hex | 4 | 1/2-13nc x 4-1/2 |
| 13 | 1520672 | Sprocket, 100B17 | 1 | 2-3/16 Bore 1/2-KW |
| 14 | 1020057 | Guard, Beater Bar Chain Rotor Driven | 1 | |
| 15 | ref. | Screw, Set | 1 | 1/2 x 5/8 |
| 16 | 1520341 | Chain, Roller 100H Super Rivet | 1 | |
| 17 | 1520342 | Link, Conn 100H | 1 | |
| 18 | 1510037 | Bearing, 4-Bolt Flange F4B-SC-203 | 1 | 2-3/16 |
| 19 | 1120074 | Key | 1 | 1/2 x 1/2 x 3 long |
| 20 | ref. | Capscrew, Hex | 8 | 5/8-11nc x 2-1/2 |
| 21 | 6502001 | Shaft, Beater Stub Drive | 1 | 3 x 10-1/8 |
| 22 | ref. | Capscrew, Hex | 4 | 1/2-13nc x 4-1/2 |
| 23 | ref. | Nut, Hex | 1 | 3/4-10nc lock |
| 24 | ref. | Washer, Flat | 1 | 3/4 |
| 25 | 1020064 | Tensioner, Beater Chain UHMW | 1 | 3-1/4 X 3 |
| 26 | ref. | Spring | 1 | |
| 27 | 1020075 | Bracket Weldment, Tensioner Spring | 1 | |
| 28 | 1020072 | Spacer, Beater Chain Tensioner | 1 | |
| 29 | 7002000 | Shaft, Beater Bar | 1 | 99-1/2 |
| 30 | 1020012 | Shaft, Beater Bar Stub Idle | 1 | 3 x 8-9/16 |
| 31 | 1020011 | Shaft, Beater Bar Stub | 1 | 3 x 8-9/16 |
| 32 | ref. | Lubricator | 1 | |
| 33 | 1541860 | Pump, Hydraulic Tyrone 180CC | 1 | A PAD CW ROT |
| 34 | ref. | Nut, Hex | 2 | 7/16-14nc lock |
| 35 | ref. | Capscrew, Hex | 4 | 7/16-14nc x 1-1/2 |
| 36 | 1520766 | Adaptor, Splined 1.25 14T to 7/8 13T | 1 | |
| 37 | 1100093 | Spacer, Pump Coupling - Beater Driven | 1 | |

Cable Drum & Backstop

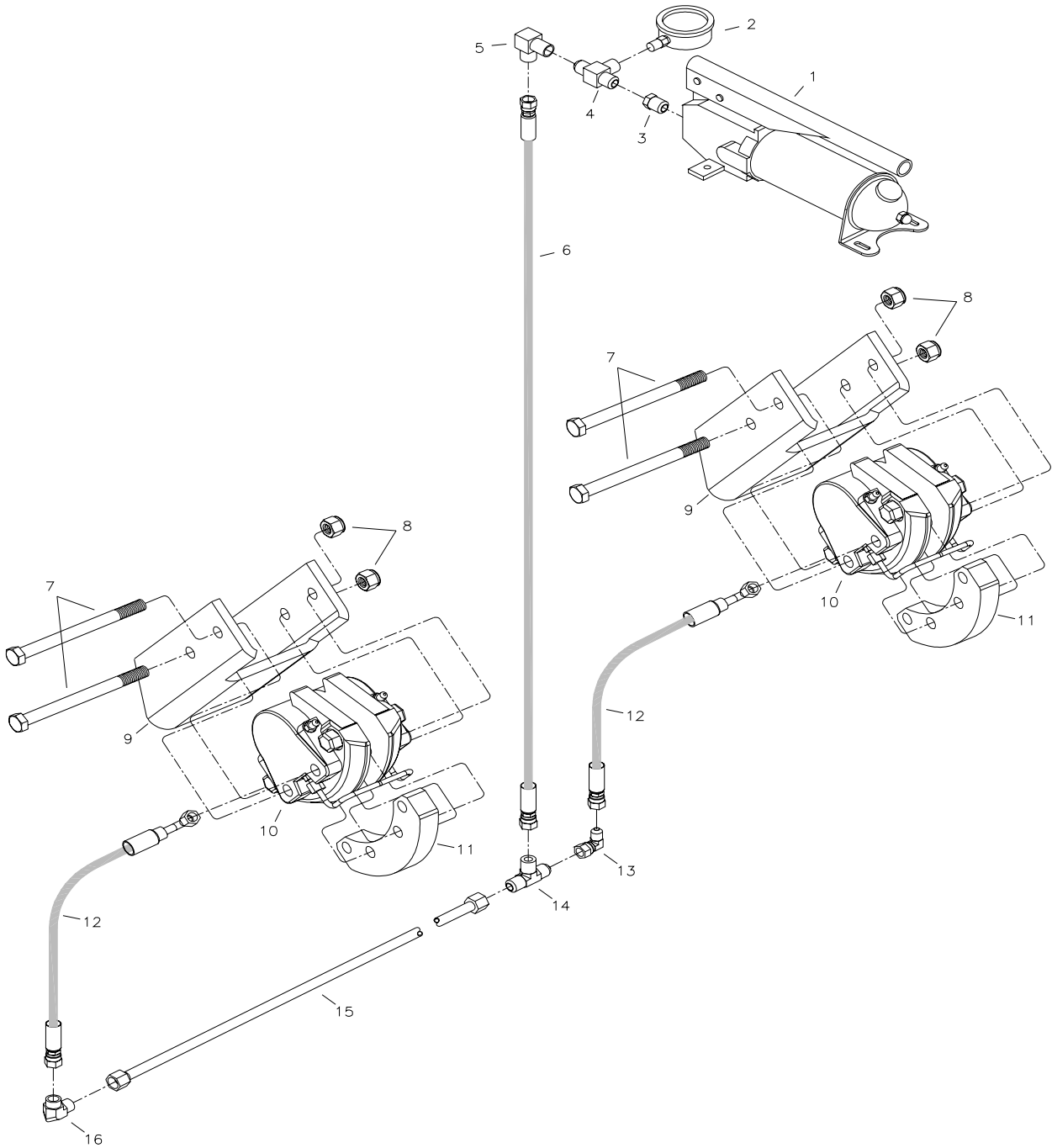


PARTS MANUAL

Cable Drum & Backstop - Parts List

| Item# | Part# | Description | Qty. | Remarks |
|-------|---------|--------------------------------|------|---------------------|
| 1 | 1030064 | Cable Drum, Inboard Brake | 1 | 250-Foot Right |
| 2 | 6703000 | Guard, Cable Drum Brake | 1 | |
| 3 | 1550335 | Screw, Set | 8 | 3/8 x 1/2 |
| 4 | 1030015 | Coupler, Cable Drum Shaft | 2 | 2 x 3-1/4 x 7-1/2 |
| 5 | 1030024 | Key | 2 | 1/2 x 1/2 x 8 |
| 6 | 1030065 | Shaft, Cable Drum Intermediate | 1 | 2 x 96 |
| 7 | 7003010 | Guard, Cable Drum Brake | 1 | W/ Beater Access |
| 8 | 1030064 | Cable Drum, Inboard Brake | 1 | 250-Foot Left |
| 9 | Ref. | Cap Screw, Hex Head | 1 | 3/8-16nc x 3-1/2 G5 |
| 10 | 1030014 | Coupling, Cable rewind | 1 | |
| 11 | Ref. | Nut, Hex | 1 | 3/8-16nc lock |
| 12 | Ref. | Nut, Hex | 16 | 1/2-13 nc lock |
| 13 | 1510044 | Bearing, 4-Bolt Flange | 4 | F48-SCM-200 |
| 14 | Ref. | Cap Screw, Hex Head | 16 | 1/2-13 x 1-1/2 |
| 15 | 7003005 | Shoe, Cable Rewind | 1 | Left |
| 16 | 1030033 | Rod, Cable Rewind | 2 | 1 x 31-1/2 |
| 17 | Ref. | Frame Weldment | 1 | |
| 18 | 7003006 | Shoe, Cable Rewind | 1 | Right |
| 19 | Ref. | Cap Screw, Hex Head | 1 | 3/8-17nc x 3 G5 |
| 20 | 1030017 | Crank, Cable Rewind | 1 | |
| 21 | 1090008 | Backstop Frame, Steel | 1 | 154B x 124T x 98H |
| | 1090031 | Backstop Frame, Aluminum | | |
| 22 | Ref. | Cap Screw, Hex Head | 4 | 3/4-10nc x 4-1/2 G5 |
| 23 | 1550128 | Nut, Hex | 1 | 3/4-10nc Lock |
| 24 | 1500412 | Sling, Backstop Cable | 2 | 7/16 x 35 |
| 25 | 1560006 | Rope, Backstop | 1 | 3/8 x 400 |
| 26 | 1590006 | Cable | 1 | 7/16 x 240 |
| ref | 7009000 | Bracket, Backstop Shipping | 1 | |

Brake & Cable Drum

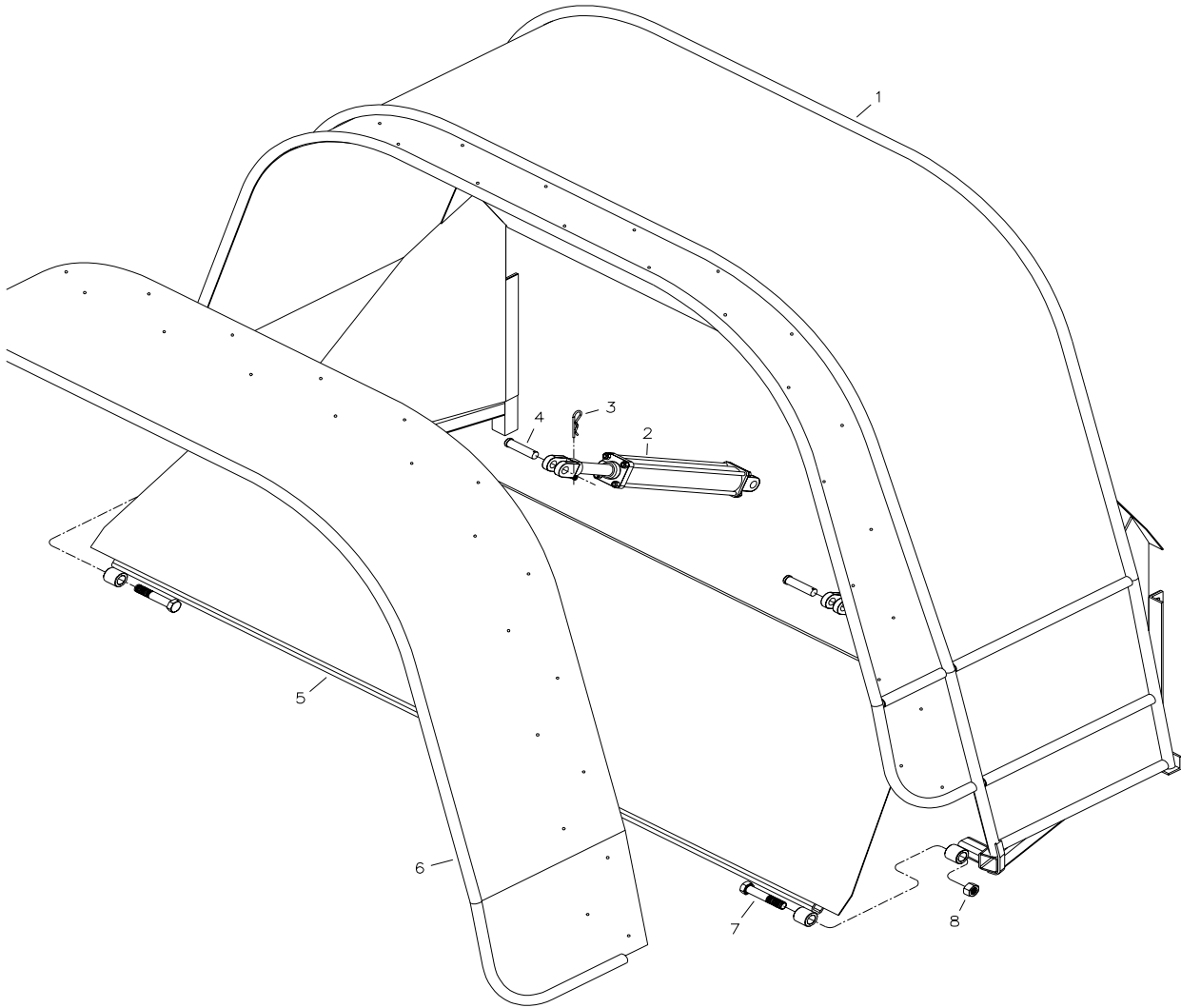


PARTS MANUAL

Brake & Cable Drum - Parts List

| Item# | Part# | Description | Qty. | Remarks |
|-------|---------|-----------------------------|------|------------------|
| 1 | 1541427 | Pump, Hand P23 Preset | 1 | |
| 2 | 1500142 | Gauge, Liquid Sill 2000 PSI | 1 | side mount |
| 3 | Ref. | Fitting Bushing | 1 | |
| 4 | 1540482 | Fitting, Hydraulic | 1 | C3759 x6 |
| 5 | Ref. | Fitting, 90 Degree | 1 | male elbow |
| 6 | Ref. | Hose Assembly | 1 | 1/4 x 20 |
| 7 | Ref. | Capscrew, Hex Head | 2 | 5/8-11NC x 7-1/2 |
| 8 | Ref. | Nut, Hex | 2 | 5/8-11NC Lock |
| 9 | 6003001 | Mount, Cable Drum Floating | 2 | brake formed |
| 10 | 1501348 | Brake, Mico | 2 | |
| 11 | 1501347 | Spacer, Brake Caliper | 2 | Mico |
| 12 | Ref. | Hose Assembly | 2 | 1/4 x 34 |
| 13 | 1540683 | Fitting, Hydraulic | 1 | C5506 x4 |
| 14 | 1540719 | Fitting, Hydraulic | 1 | C5705 x4 |
| 15 | Ref. | Hardline Assembly | 1 | |
| 16 | 1540677 | Fitting, Hydraulic | 1 | C5505 x4 |

Tunnel, Extension & Clean Out

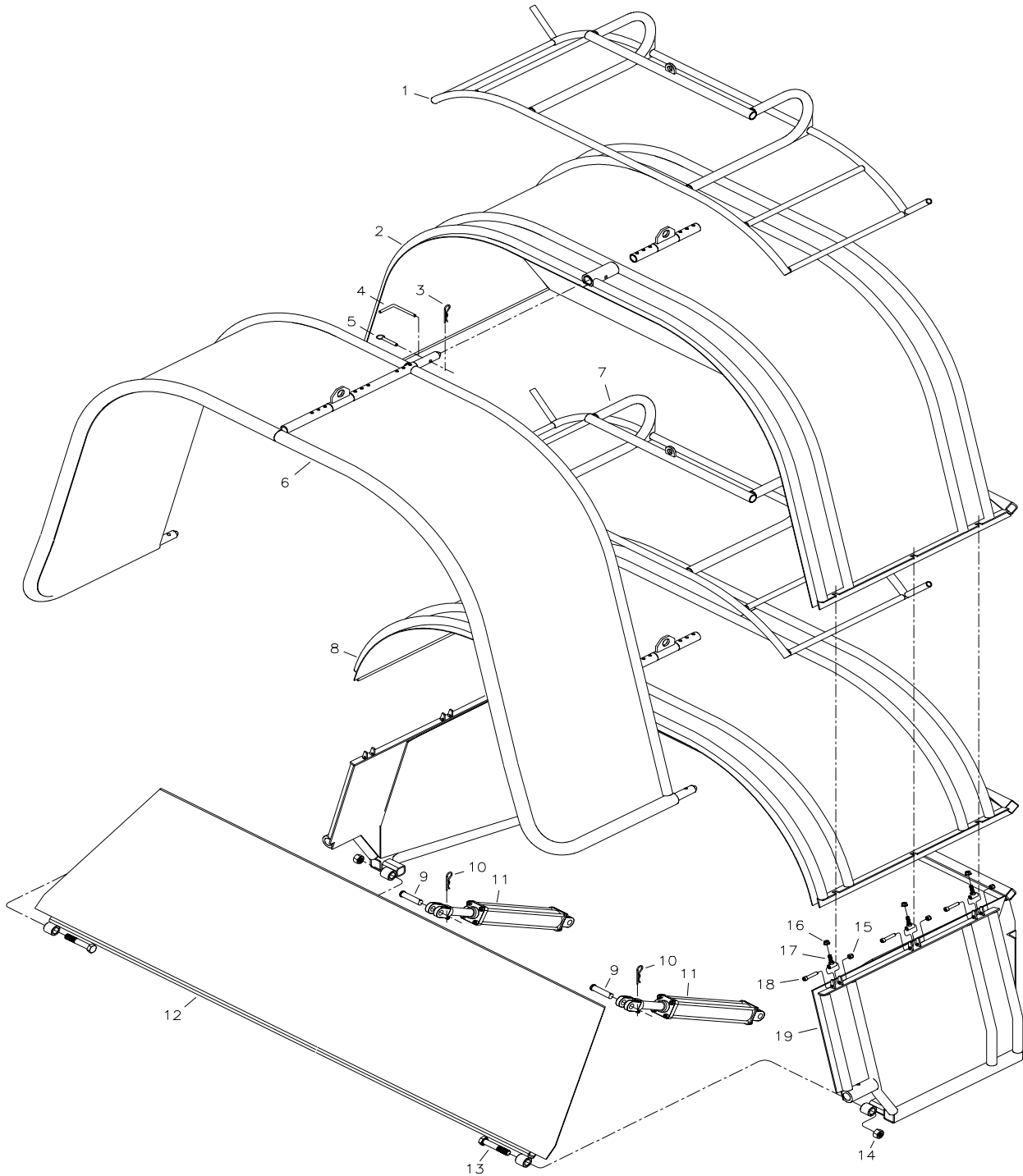


PARTS MANUAL

Tunnel, Extension & Clean Out - Parts List

| Item# | Part# | Description | Qty. | Remarks |
|-------|---------|-----------------------------|------|------------------|
| 1 | 7006009 | Tunnel, 10 Foot | 1 | |
| | 7006010 | Tunnel, 9 Foot | 1 | |
| 2 | 1540097 | Cylinder, Hydraulic | 2 | DB2510 |
| 3 | Ref. | Pin, Hair Cotter | 4 | |
| 4 | Ref. | Pin, Clevis | 4 | |
| 5 | Ref. | Floor, Tunnel Clean Out | 1 | |
| ref | 7006004 | Floor, Tunnel Frame | ref | 10-foot TCO |
| ref | 7006006 | Floor, Sheet | ref | 9 & 10 foot TCO |
| ref | 1060050 | Hinge Tube, TCO Frame | ref | |
| ref | 7006001 | Floor, Tunnel Frame 10-foot | ref | fixed |
| ref | 7006003 | Floor, Tunnel Frame 9-foot | ref | fixed |
| ref | 7006002 | Floor, Sheet 9' & 10' | ref | fixed |
| 6 | 1060018 | Extension, Tunnel | 1 | 30 bolt |
| | Ref. | Bolt Kit, Tunnel Extesnion | 1 | |
| 7 | 1060051 | Cap Screw, Hex | 2 | 1-8nc x 5-1/2 G5 |
| 8 | 1550300 | Nut, Hex HD | 2 | 1-8nc Nylock |

Convertible Tunnel, Extension & Clean Out

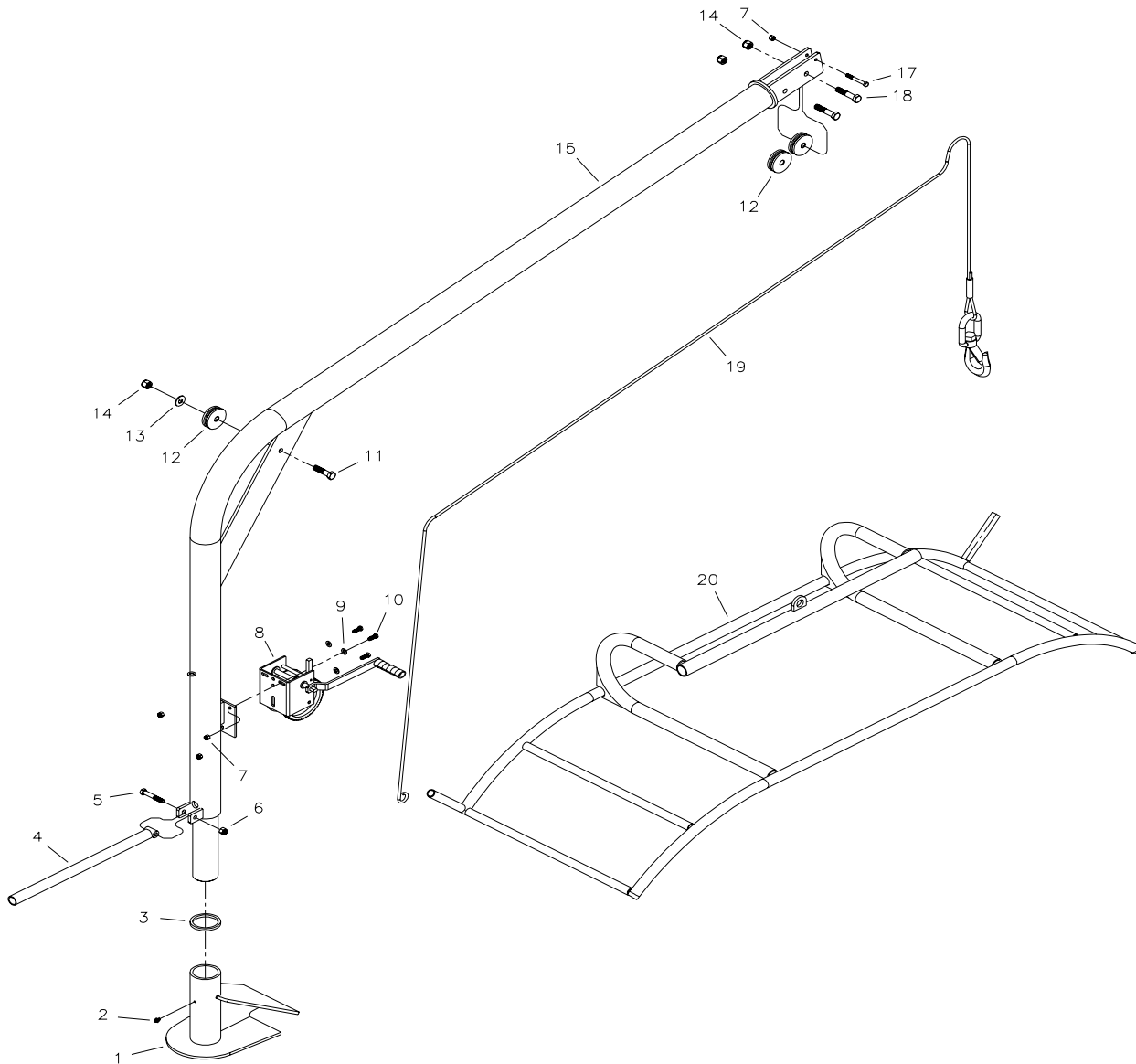


PARTS MANUAL

Convertible Tunnel, Extension & Clean Out - Parts List

| Item# | Part# | Description | Qty. | Remarks |
|-------|---------|------------------------|------|---------------|
| 1 | Ref. | Cradle, Bag | 1 | 10" |
| 2 | 7006037 | Tunnel Top | 1 | 10' |
| 3 | Ref. | Pin, Hair | 1 | |
| 4 | Ref. | Pin, Transport Lock | 1 | |
| 5 | 1550301 | Pin, Self Locking | 3 | 1/2 x 2-1/2 |
| 6 | 7006039 | Extension, tunnel | 1 | 10' |
| 7 | Ref. | Cradle, Bag | 1 | 9' |
| 8 | 7006036 | Tunnel Top | 1 | 9' |
| 9 | Ref. | Pin, Clevis | 4 | |
| 10 | Ref. | Pin, Hair | 4 | |
| 11 | 1540097 | Cylinder, Tie Rod | 2 | 2-1/2 x 10 |
| 12 | Ref. | Floor, Tunnel Cleanout | 1 | |
| 13 | 1060051 | Capscrew, Hex | 2 | 1-8NC x 5-1/2 |
| 14 | 1550300 | Nut, Hex Lock | 2 | 1-8NC |
| 15 | 1550126 | Nut, Hex Lock | 6 | 1/2-13NC |
| 16 | Ref. | Nut, Hex Flat Mount | 6 | 1/2-13NC |
| 17 | Ref. | Lock, tunnel Top | 6 | |
| 18 | Ref. | Capscrew, Socket | 6 | 1/2-13NC x 3 |
| 19 | 7006035 | Tunnel Base | 1 | |

Bag Boom & Cradle

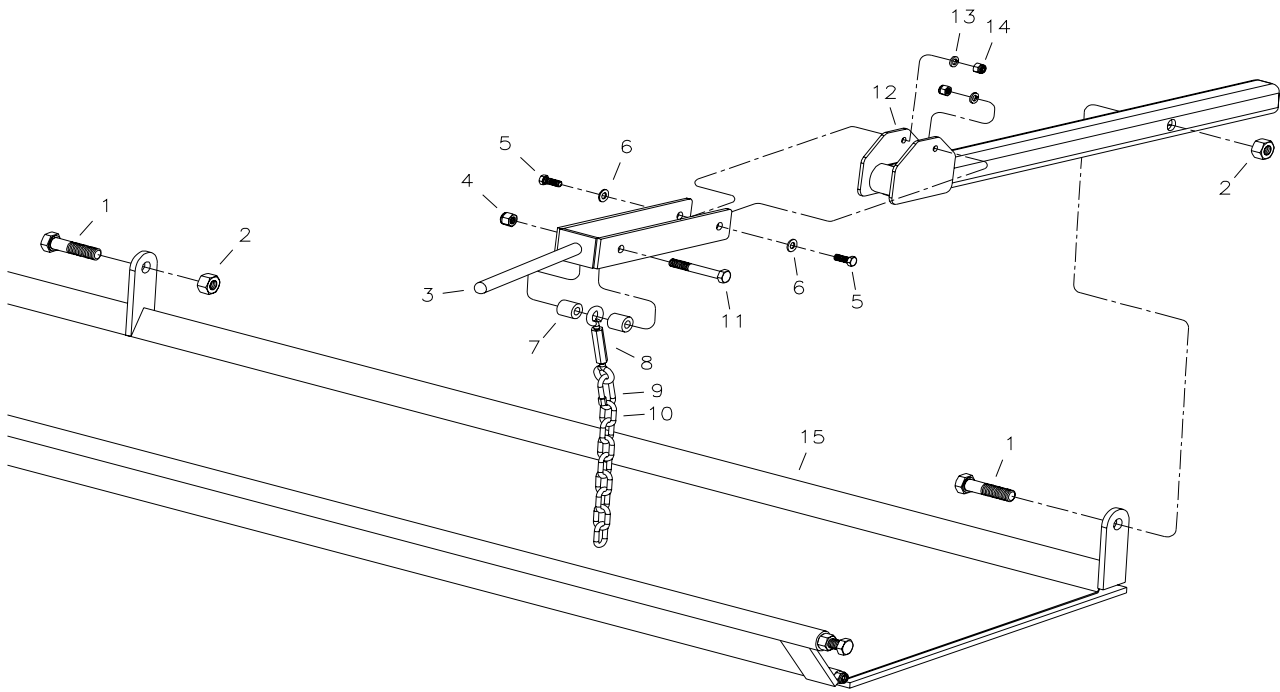


PARTS MANUAL

Bag Boom & Cradle - Parts List

| Item# | Part# | Description | Qty. | Remarks |
|-------|---------|----------------------------------|------|------------------|
| 1 | 7006008 | Socket, Bag Boom | 1 | |
| 2 | Ref. | Fitting, Grease Zerk | 1 | 1/4-28nf |
| 3 | 1060039 | Spacer, Bag Boom Bronze | 1 | 2-15/16 id |
| 4 | 1060085 | Turn Bar | 1 | |
| 5 | Ref. | Cap Screw, Hex Head | 1 | 1/2-13nc x 3 |
| 6 | Ref. | Nut, Hex | 1 | 1/2-13nc |
| 7 | 1550147 | Nut, Hex | 4 | 3/8-16nc lock |
| 8 | 1500602 | Winch, Manual | 1 | DL1802 |
| 9 | 1550206 | Washer, Flat | 3 | 3/8 |
| 10 | 1550057 | Cap Screw, Hex Head | 3 | 3/8-16nc x 1 |
| 11 | Ref. | Cap Screw, Hex Head | 1 | 5/8-11nc x 2-1/2 |
| 12 | 1501737 | Sheave, Steel | 3 | 3 |
| 13 | 1550209 | Washer, Flat | 1 | 5/8 |
| 14 | 1550148 | Nut, Hex | 3 | 5/8-11nc lock |
| 15 | 7006000 | Bag Boom Frame | 1 | |
| 16 | | | | |
| 17 | 1550062 | Cap Screw, Hex Head | 1 | 3/8-16nc x 3 |
| 18 | Ref. | Cap Screw, Hex Head | 2 | 5/8-11nc x 3 |
| 19 | 1501691 | Cable With Hook | 1 | 1/4 x 30 |
| 20 | 1060007 | Cradle, Bag - Standard | 1 | 10' |
| | Ref. | Cradle, Bag - Convertible Tunnel | 1 | 9' |
| | Ref. | Cradle, Bag - Convertible Tunnel | 1 | 10' |

Bag Pan System

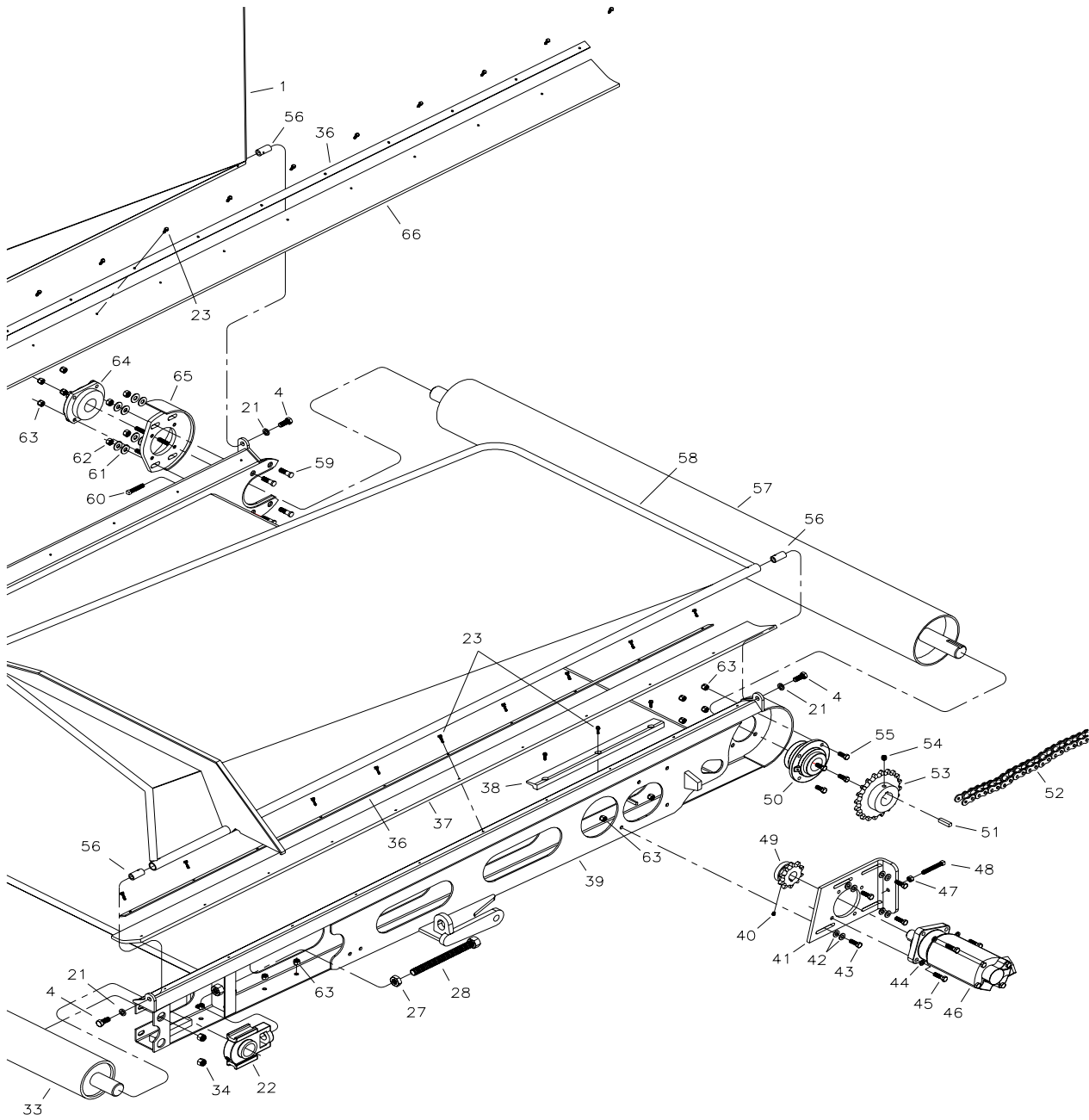


PARTS MANUAL

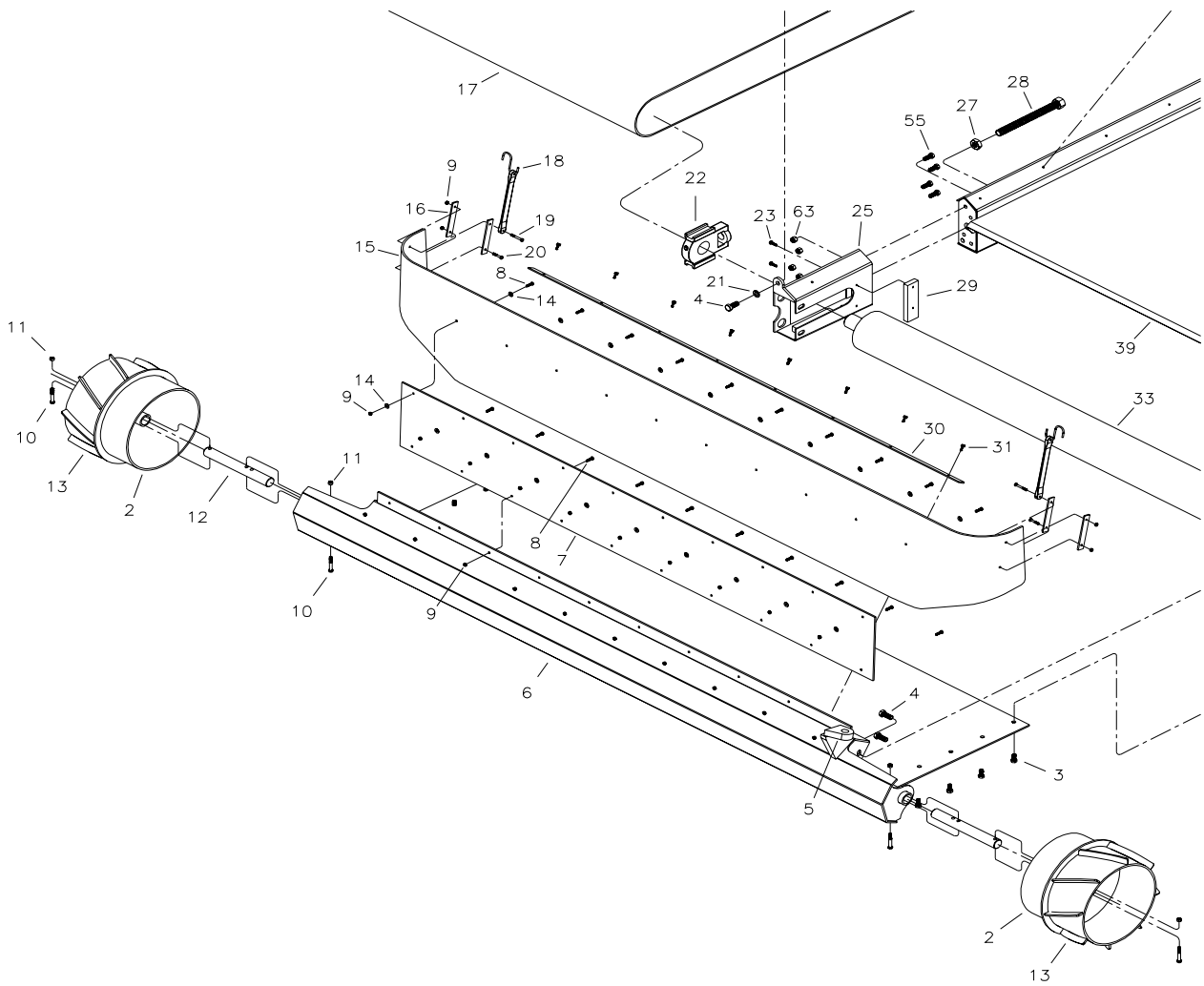
Bag Pan System - Parts List

| Item# | Part# | Description | Qty. | Remarks |
|-------|---------|----------------------------|------|------------------|
| 1 | Ref. | Capscrew, Hex | 3 | 3/4-10nc x 3 |
| 2 | Ref. | Nut, Hex | 3 | 3/4-10nc lock |
| 3 | Ref. | Lever, Crank, Bag Pan Lift | 2 | |
| 4 | Ref. | Nut, Hex | 2 | 1/2-13nc lock |
| 5 | Ref. | Capscrew, Hex | 4 | 3/8-16nc x 1 |
| 6 | Ref. | Washer, Flat | 4 | 3/8 |
| 7 | Ref. | Spacer, Bag Pan Crank | 4 | |
| 8 | 1500577 | Turnbuckle, Eye to Eye | 2 | 5/16 x 4-1/2 |
| 9 | 1501509 | Link, Quick | 1 | 1/4 |
| 10 | 1520702 | Chain | 2 | 7-links |
| 11 | Ref. | Capscrew, Hex | 2 | 1/2-13nc x 3-1/2 |
| 12 | 1060029 | Lever, Bag Pan Lift | 2 | |
| 13 | Ref. | Washer, Split Lock | 4 | |
| 14 | Ref. | Nut, Hex | 4 | 3/8nc lock |
| 15 | 7006007 | Bag Pan | 1 | |

Feed Table - Drive End



Feed Table - Idle End



PARTS MANUAL

Feet Table Drive and Idle End - Part List

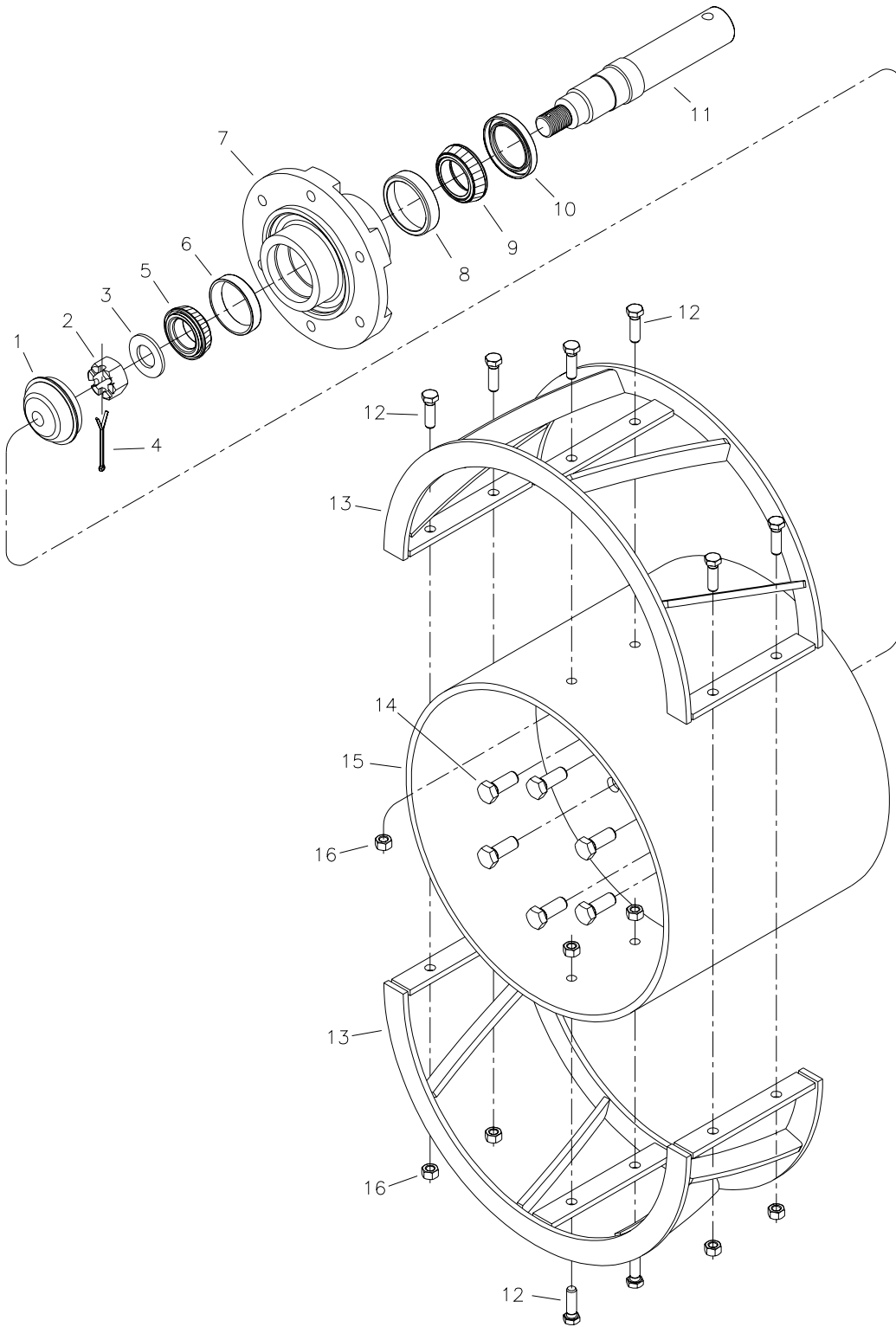
| Item# | Part# | Description | Qty. | Remarks |
|-------|---------|-----------------------------------|------|------------------------|
| 1 | 1080066 | Wing, Feed Table Standard | 1 | Left |
| ref | 1080204 | Wing, Feed Table Extended | 1 | Left |
| 2 | 1080162 | Wheel, Feed Table 14 | 2 | without cleats |
| 3 | Ref. | Cap Screw, Hex Head | 8 | 1/2-13 x 1 |
| 4 | Ref. | Cap Screw, Hex Head | 8 | 5/8-11nc x 1-1/2 G5 |
| 5 | 1080031 | Mount, Feed Table Side Hitch | 1 | |
| 6 | 1120518 | Bumper, Feed Table | 1 | |
| 7 | 1120282 | UHMW, Black | 1 | 1/4 x 12 x 90 |
| 8 | Ref. | Cap Screw, Hex Head | 18 | 1/4-20nc x 1 |
| 9 | Ref. | Nut, Hex | 18 | 1/4-20nc lock |
| 10 | Ref. | Cap Screw, Hex Head | 4 | 3/8-16nc x 2-1/2 |
| 11 | Ref. | Nut, Hex | 4 | 3/8-16nc |
| 12 | 1010006 | Axle, Feed Table Wheel | 2 | |
| 13 | 1080207 | Cleat Assembly, Feed Table Wheel | 2 | |
| 14 | Ref. | Washer, Flat | 16 | 1/4 wide |
| 15 | Ref. | Skirting, Front | 1 | 8' feed table |
| 16 | 1080004 | Bracket, Skirting Small | 2 | |
| 17 | 1500027 | Belt, Continuous | 1 | |
| 18 | 1120007 | Bungee | 2 | 10' rubber |
| 19 | Ref. | Cap Screw, Hex Head | 2 | 1/4-20nc x 2 |
| 20 | Ref. | Cap Screw, Hex Head | 2 | 1/4-20nc x 1-1/2 |
| 21 | Ref. | Washer | 4 | 5/8 split lock |
| 22 | 1510251 | Bearing, Take-up | 2 | 2-3/16 |
| 23 | Ref. | Screw, Hex Head | 8 | 1/4 x 3/4 self tapping |
| 25 | 1080180 | Section, Feed Table Frame | 1 | |
| 27 | Ref. | Nut, Hex | 2 | 1-8nc jam |
| 28 | 1080000 | Adjuster, Feed Table Roller | 2 | |
| 29 | 1080023 | Guide, Feed Table Belt | 1 | |
| 30 | 1080055 | Strip, Feed Table Skirting Front | 1 | |
| 31 | Ref. | Screw, Hex Head | 20 | 1/4 x 3/4 self tapping |
| 33 | 1080156 | Roller, Feed Table Idle | 1 | |
| 34 | Ref. | Nut, Hex | 4 | 5/8-11nc lock |
| 36 | 1080054 | Strip, Feed Table Skirting Side | 2 | |
| 37 | Ref. | Skirting, Side | 1 | right |
| 38 | 1080024 | Guide, Feed Table Belt | 2 | |
| 39 | 1080021 | Frame, Feed Table | 1 | 8-foot |
| 40 | 1550335 | Screw, Set | 1 | 3/8 x 1/2 |
| 41 | 1080032 | Mount, Feed Table Hydraulic Motor | 1 | |

PARTS MANUAL

Feet Table Drive and Idle End - Part List

| Item# | Part# | Description | Qty. | Remarks |
|-------|---------|----------------------------|------|-------------------------|
| 42 | Ref. | Washer | 8 | 1/2 flat |
| 43 | Ref. | Cap Screw, Hex Head | 4 | 1/2-13 x 1-1/2 |
| 44 | Ref. | Washer | 4 | 1/2 split lock |
| 45 | Ref. | Cap Screw, soc hd | 4 | 1/2-13nc x 1-3/4 |
| 46 | 1540916 | Motor, Hydraulic | 1 | |
| 47 | Ref. | Nut, Hex | 1 | 3/4-10nc |
| 48 | 1550404 | Cap Screw | 1 | 3/4-10nc x 3-1/2 square |
| 49 | 1520340 | Sprocket | 1 | |
| 50 | 1510031 | Bearing | 1 | |
| 51 | 1080082 | Key | 1 | 1/2 sq x 2 |
| 52 | 1520341 | Chain, Roller | 5.5 | feet |
| | 1520342 | Link, Roller Chain | 1 | 100h connecting |
| | 1520084 | Link, Roller Chain | 1 | 100 offset |
| 53 | 1520104 | Sprocket | 1 | |
| 54 | Ref. | Set Screw | 1 | 5/8 x 5/8 |
| 55 | Ref. | Cap Screw, Hex Head | 8 | 1/2-13nc x 1-1/4 G5 |
| 56 | 1080050 | Bushing, Feed Table Wing | 4 | |
| 57 | 1080155 | Roller, Feed Table Drive | 1 | |
| 58 | 1080116 | Wing, Feed Table Standard | 1 | right |
| | 1080203 | Wing, Feed Table Extended | 1 | right |
| 59 | Ref. | Stud | 4 | 9/16-12nc x 1-3/4 |
| 60 | Ref. | Cap Screw | 1 | 1/2-13nc x 2-1/2 square |
| 61 | Ref. | Washer | 8 | 5/8 flat |
| 63 | Ref. | Nut, Hex | 24 | 1/2-13nc lock |
| 64 | 1080182 | Bearing, Type E | 1 | |
| 65 | 1080064 | Mount, Feed Table Bearing | 1 | |
| 66 | Ref. | Skirting, Feed Table | 1 | left |
| 67 | 1120519 | Section, Feed Table Frame | 1 | right |
| ref | 1501760 | Serial Number Plate | 1 | |
| ref | 1500598 | Whip, Grease | 2 | 13/16 x 52 |
| ref | 1500940 | Whip, Grease | 2 | 13/16 x 77 |
| ref | 1080051 | Spacer, Feed Table | 2 | 2-1/4 bronze |
| ref | 1080029 | Latch, Feed Table Wing | 1 | left |
| ref | 1080097 | Latch, Feed Table Wing | 1 | right |
| ref | 1120045 | Pin Assembly, Feed Table | 2 | lock |
| ref | 1080048 | Shaft, Feed Table Mounting | 2 | |
| ref | 1540102 | Cylinder, Hydraulic | 2 | |
| ref | 1080013 | Feed Table Complete | 1 | 8-foot |

Feed Table Wheel

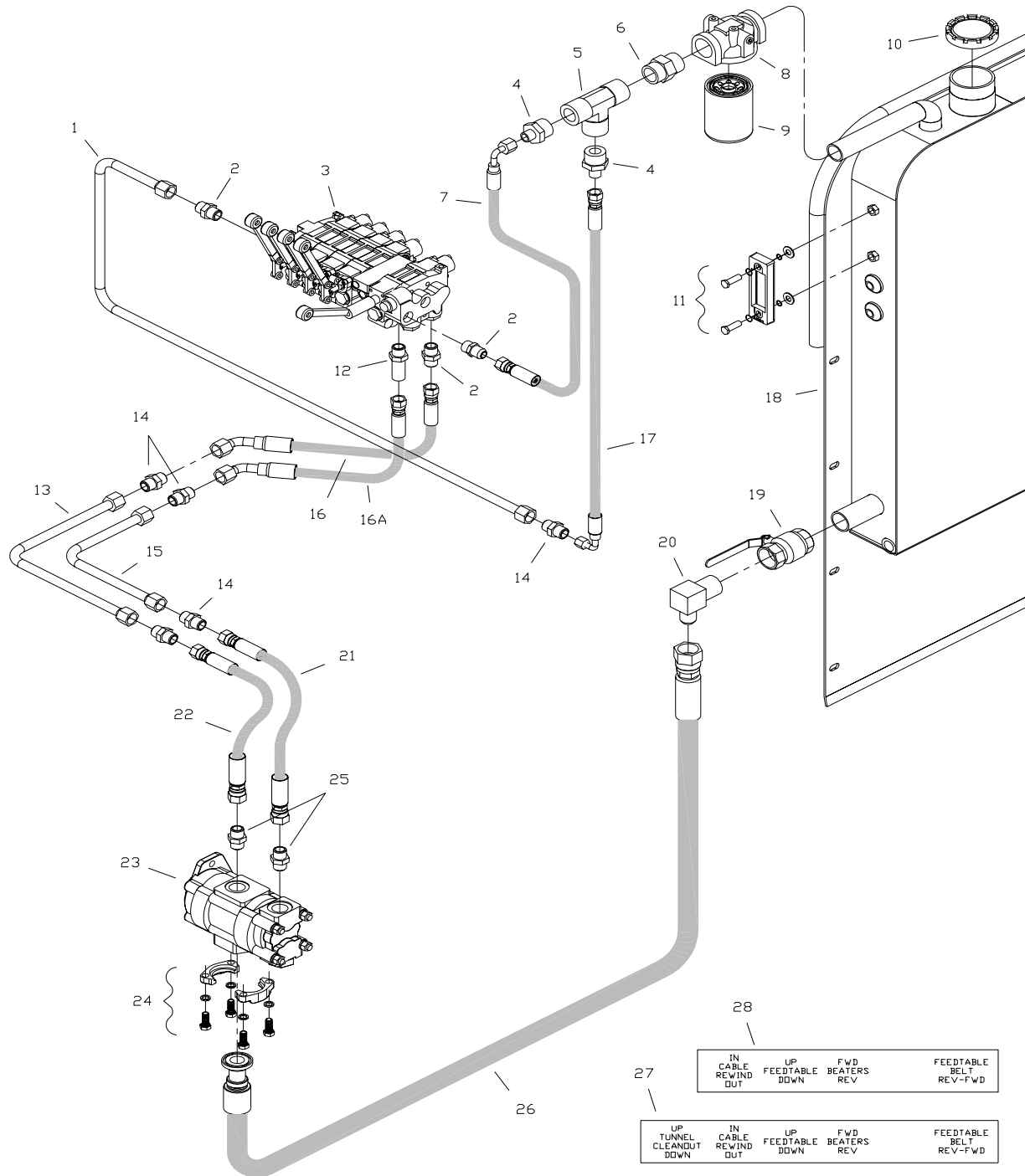


PARTS MANUAL

Feed Table Wheel - Parts List

| Item# | Part# | Description | Qty. | Remarks |
|-------|---------|----------------------------------|------|-------------------------|
| 1 | 1500070 | Cap, Dust | 1 | |
| 2 | ref. | Nut | 1 | |
| 3 | 1550211 | Washer, Flat | 1 | |
| 4 | ref. | Hair Pin | 1 | |
| 5 | 1510113 | Bearing, Roller Cone | 1 | |
| 6 | 1510093 | Bearing, Roller Cup | 1 | |
| 7 | 1501875 | Hub, Wheel W888 Tapped Holes | 1 | Includes items 6 and 8 |
| 8 | 1510073 | Bearing, Roller Cup | 1 | |
| 9 | 1510183 | Bearing, Roller Cone | 1 | |
| 10 | ref. | Grease Seal | 1 | |
| 11 | 1080210 | Axle, Feed Table Wheel | 1 | |
| 12 | 1550059 | Cap Screw, Hex | 8 | |
| 13 | 1080207 | Cleat Assembly, Feed Table Wheel | 1 | |
| 14 | 1550257 | Bolt, Hub | 6 | |
| 15 | 1080208 | Wheel, Feed Table | 1 | |
| 16 | 1550129 | Nut, Hex | 8 | |
| ref. | 1080169 | Feed Table Wheel Complete | | |
| ref. | 1010087 | Kit, Hub Repair W888 | | Includes 1,2,3,4,5,9,10 |

Hydraulics - Primary System

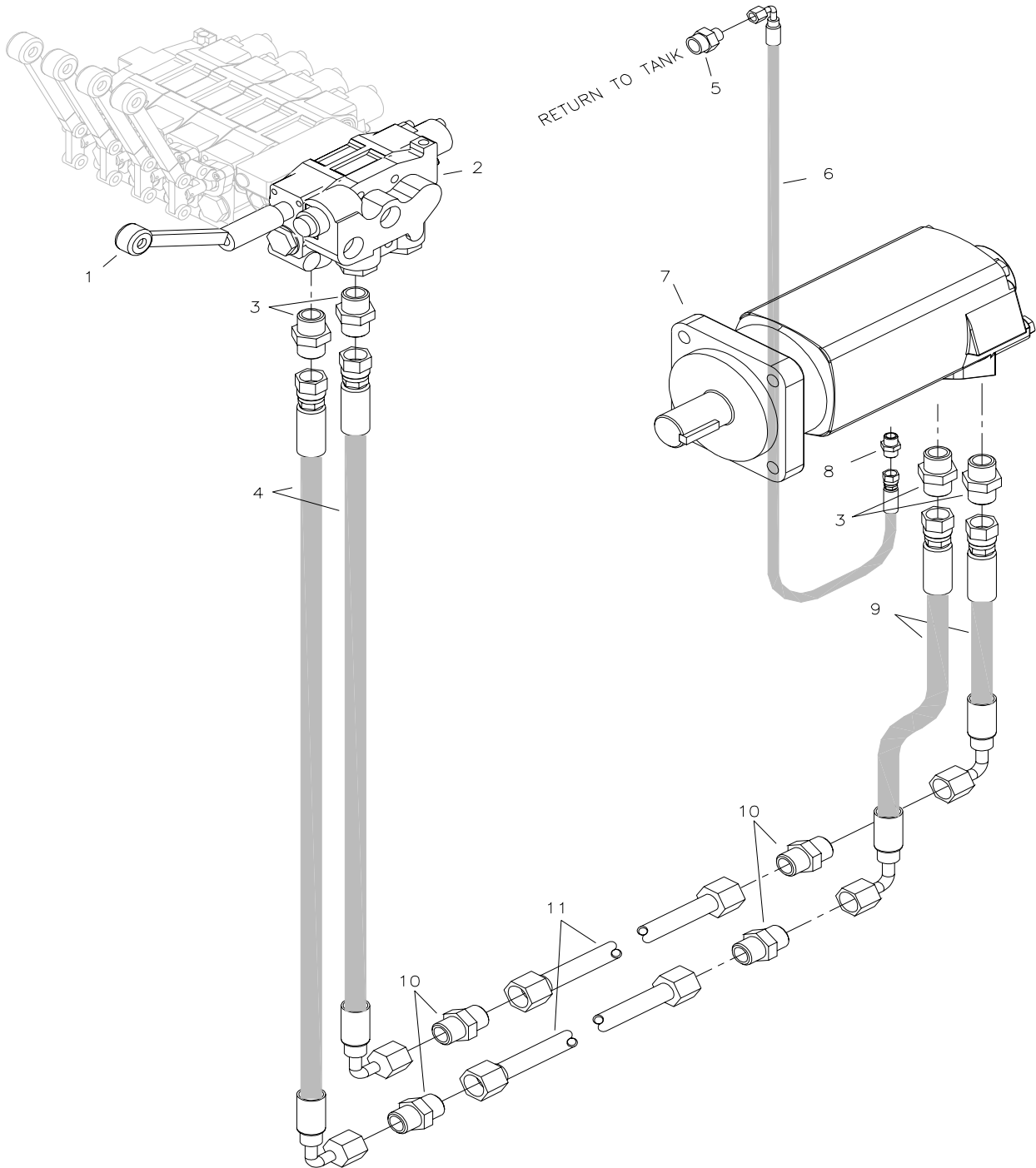


PARTS MANUAL

Hydraulics - Primary System - Parts List

| Item# | Part# | Description | Qty. | Remarks |
|-------|---------|---|------|---------------|
| 1 | Ref. | Hardline Assembly, Return | 1 | |
| 2 | 1540553 | Fitting, Hydraulic | 3 | C5315 x12 |
| 3 | 1541080 | Valve, Hydraulic | 1 | 5-bank |
| | 1541698 | Valve, Hydraulic | 1 | 4-bank |
| 4 | 1541909 | Fitting, Hydraulic | 2 | C5205 x12 x20 |
| 5 | 1540470 | Fitting, Hydraulic | 1 | C3709 x12 |
| 6 | 1540377 | Fitting, Hydraulic | 1 | C3069 x20 |
| 7 | Ref. | Hose Assembly FC639-12-1AA-12FJ-12FJ-53HL | 1 | |
| 8 | 1540157 | Base, Filter | 1 | |
| 9 | 1540181 | Filter | 1 | |
| 10 | 1500058 | Cap, Hydraulic | 1 | |
| 11 | 1500158 | Gauge, Sight | 1 | |
| 12 | 1540577 | Fitting, Hydraulic | 1 | C5316 x12 |
| 13 | Ref. | Hardline Assembly, Pressure | 1 | feed table |
| 14 | 1540537 | Fitting, Hydraulic | 3 | C5305 x12 |
| 15 | Ref. | Hardline Assembly, Pressure | 1 | mid inlet |
| 16 | Ref. | Hose Assembly FC639-12-1AA-12FJA-12FJ-43HL | 1 | |
| 17 | Ref. | Hose Assembly FC639-12-1AA-12FJ-12FJB-33HL | 1 | |
| 18 | 7005002 | Tank, Hydraulic | 1 | |
| 19 | 1541824 | Valve, Ball | 1 | |
| 20 | 1541599 | Fitting, Hydraulic | 1 | 2501-20-24 |
| 21 | Ref. | Hose Assembly FC639-12-1AA-12FJB-12FJ-27HL | 1 | |
| 22 | Ref. | Hose Assembly FC639-12-1AA-12FJB-12FJ-26HL | 1 | |
| 23 | 1541698 | Pump, Hydraulic | 1 | |
| 24 | 1540805 | Flange, Split | 1 | SKF-24 |
| 25 | 1540555 | Fitting, Hydraulic | 2 | C5315 x12 x16 |
| 26 | Ref. | Hose Assembly FC619-20-1B-20FJ-24FL-120HL | 1 | |
| 27 | 7001027 | Decal | 1 | 5-bank |
| 28 | 7001028 | Decal | 1 | 4-bank |

Hydraulics - Feed Table Belt

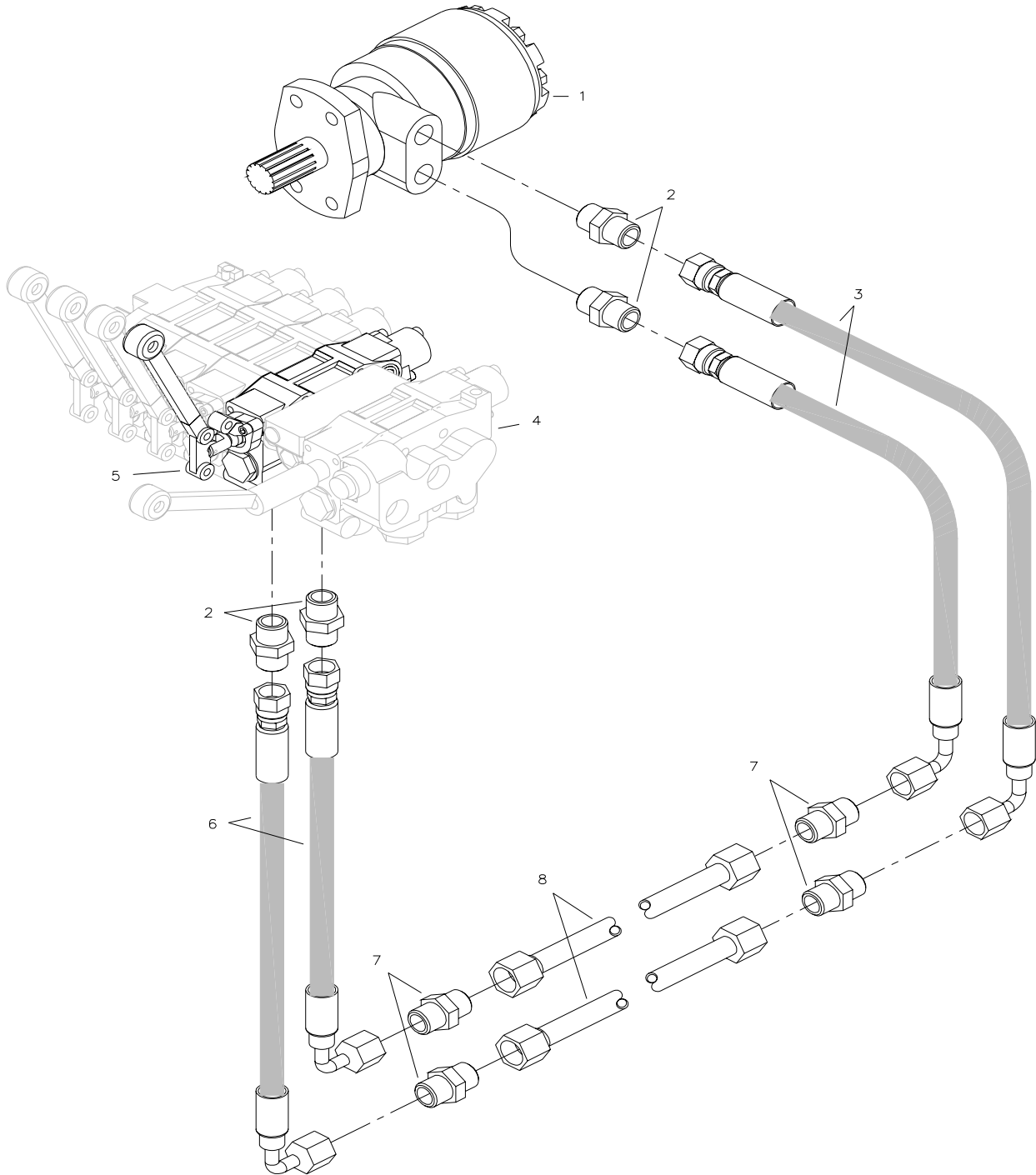


PARTS MANUAL

Hydraulics - Feed Table Belt - Parts List

| Item# | Part# | Description | Qty. | Remarks |
|-------|---------|---|------|---------------|
| 1 | Ref. | Handle, Valve - Rotary Spool | 1 | |
| 2 | 1541080 | Valve, Hydraulic | 1 | 5-bank |
| Ref | 1541698 | Pump, Hydraulic | ref | |
| 3 | 1540554 | Fitting, Hydraulic | 4 | C5315 x12 x10 |
| 4 | Ref. | Hose Assembly FC639-12-1AA-12FJ-12FJB-72HL | 2 | |
| 5 | 1540509 | Fitting, Hydraulic | 1 | C5205 x4 x8 |
| 6 | Ref. | Hose Assembly | 1 | |
| 7 | 1540916 | Motor, Hydraulic | 1 | |
| 8 | 1540566 | Fitting, Hydraulic | 1 | C5315 x4 |
| 9 | Ref. | Hose Assembly FC639-12-1AA-12FJ-12FJB-44HL | 2 | |
| 10 | 1540537 | Fitting, Hydraulic | 4 | C5305 x12 |
| 11 | Ref. | Hardline Assembly | 2 | |

Hydraulics - Upper Beater Bar

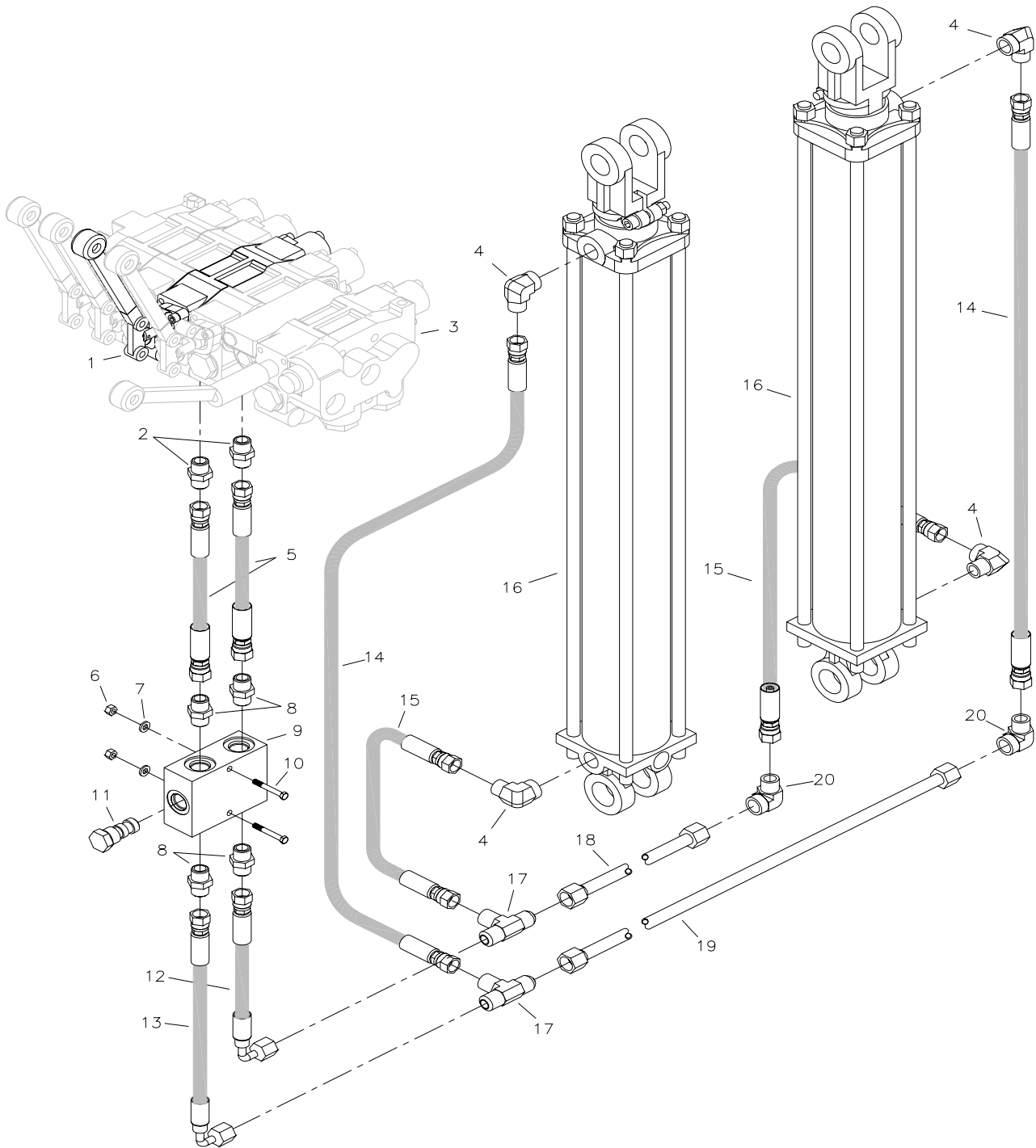


PARTS MANUAL

Hydraulics - Upper Beater Bar - Parts List

| Item# | Part# | Description | Qty. | Remarks |
|-------|---------|---|------|---------------|
| 1 | 1540935 | Motor, Hydraulic Splined | 1 | |
| 2 | 1540554 | Fitting, Hydraulic | 4 | C5315 x12 x10 |
| 3 | Ref. | Hose Assembly FC639-12-1AA-12FJB-12FJ-28HL | 2 | |
| 4 | Ref. | Valve | 1 | |
| 5 | 1500167 | Handle, Hydraulic Valve | 1 | |
| 6 | Ref. | Hose Assembly FC639-12-1AA-12FJ-12FJB-32HL | 2 | |
| 7 | 1540537 | Fitting, Hydraulic | 4 | C5305 x12 |
| 8 | Ref. | Hardline Assembly | 2 | |

Hydraulics - Feed Table Lift

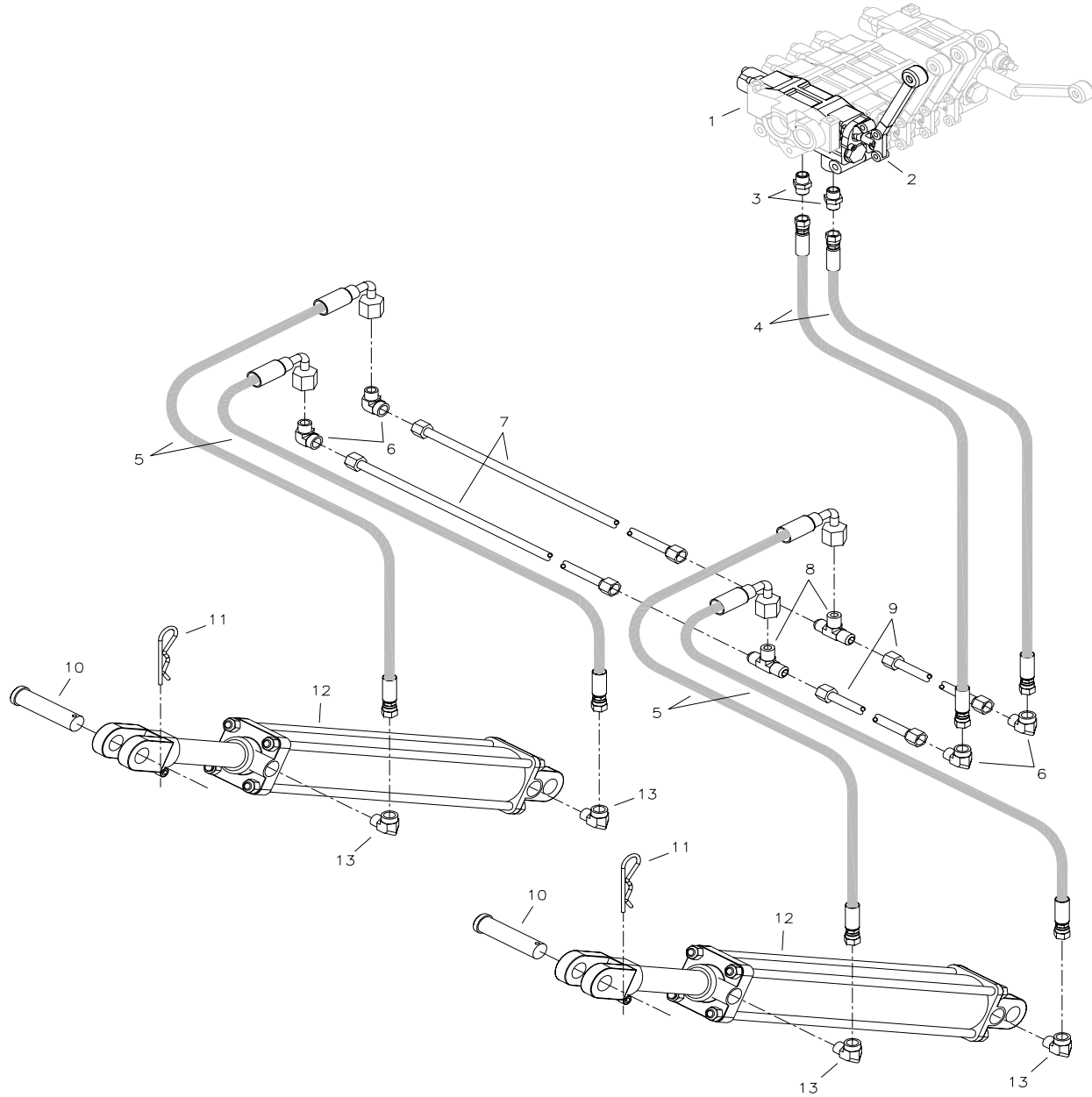


PARTS MANUAL

Hydraulics - Feed Table Lift - Parts List

| Item# | Part# | Description | Qty. | Remarks |
|-------|---------|--|------|---------------------|
| 1 | 1500167 | Handle, Hydraulic Valve | 1 | |
| 2 | 1540573 | Fitting, Hydraulic | 2 | C5315 x8 x10 |
| 3 | Ref. | Valve, Hydraulic | 1 | |
| 4 | 1100081 | Fitting, Assembly | 4 | C5405 x8 x8-7238 x6 |
| 5 | Ref. | Hose Assembly FC640-8-1AA8FJ-8FJ-8FJ-17HL | 2 | |
| 6 | Ref. | Nut, Hex | 2 | 1/4-20NC |
| 7 | Ref. | Washer, Flat | 2 | 1/4 |
| 8 | 1540572 | Fitting, Hydraulic | 4 | C5315 x8 |
| 9 | 1212008 | Manifold, Cylinder Check Valve | 1 | |
| 10 | Ref. | Capscrew, Hex | 2 | 1/4-20NC x 2-1/2 |
| 11 | 1541795 | Valve, PO Check | 1 | |
| 12 | Ref. | Hose Assembly FC640-8-1AA-8FJ-8FJB-41HL | 1 | |
| 13 | Ref. | Hose Assembly FC640-8-1AA-8FJ-8FJB-42HL | 1 | |
| 14 | Ref. | Hose Assembly FC640-8-1AA-8FJ-8FJ-68HL | 2 | |
| 15 | Ref. | Hose Assembly FC640-8-1AA-8FJ-8FJ-40HL | 2 | |
| 16 | 1540102 | Cylinder, Hydraulic | 2 | DB324 w/1-1/2 Shaft |
| 17 | 1540721 | Fitting, Hydraulic | 2 | C5705 x8 |
| 18 | Ref. | Hardline Assembly, Upper | 1 | |
| 19 | Ref. | Hardline Assembly, Lower | 1 | |
| 20 | 1540680 | Fitting, Hydraulic | 2 | C5505 x8 |

Hydraulics - Tunnel Clean Out

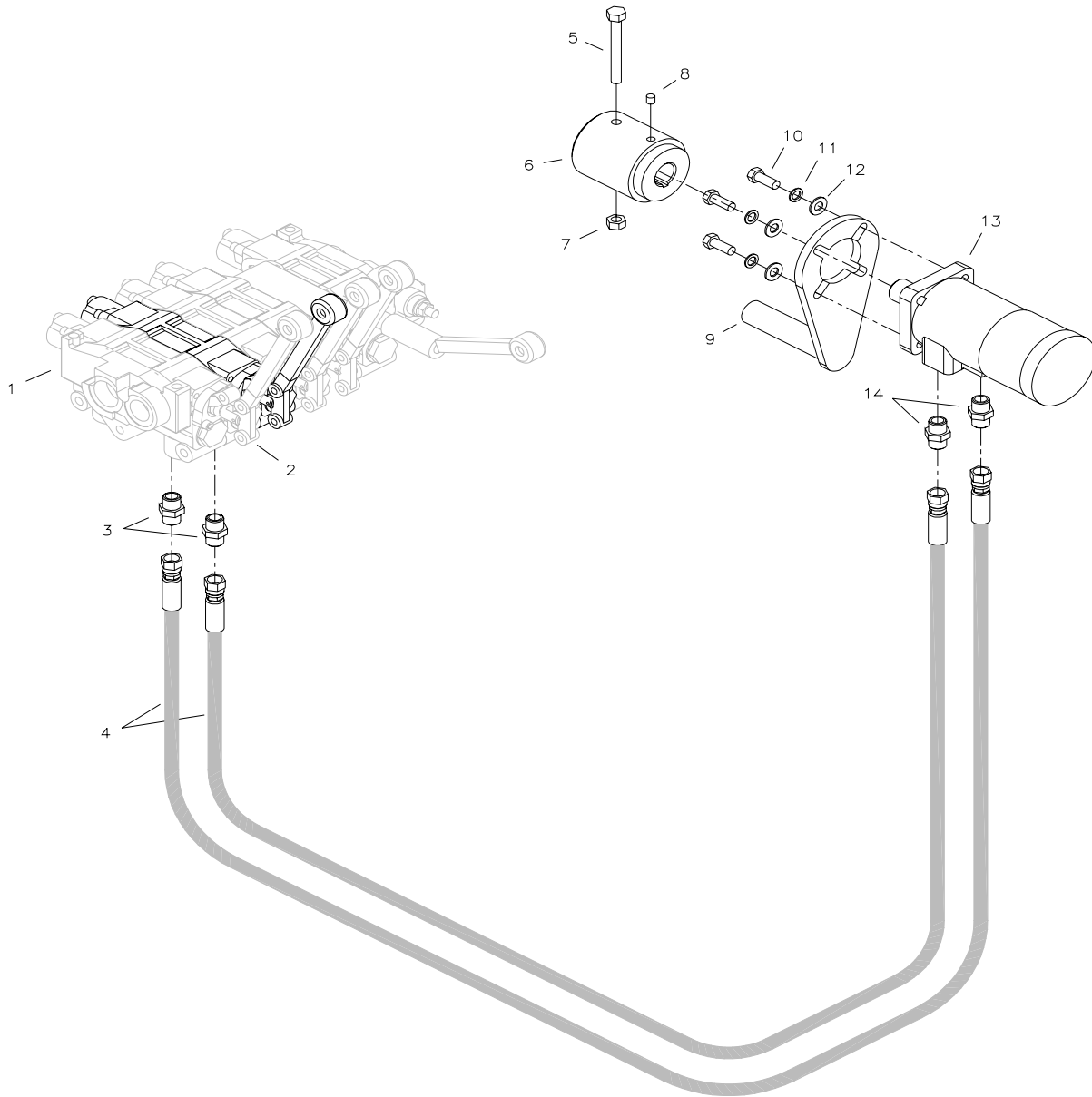


PARTS MANUAL

Hydraulics - Tunnel Clean Out - Parts List

| Item# | Part# | Description | Qty. | Remarks |
|-------|---------|---------------------------------|------|--------------|
| 1 | Ref. | Valve | 1 | |
| 2 | 1500167 | Handle, Hydraulic Valve | 1 | |
| 3 | 1540573 | Fitting, Hydraulic | 2 | C5315 x8 x10 |
| 4 | Ref. | Hose Assembly | 2 | 1/2 x 64 |
| 5 | Ref. | Hose Assembly | 4 | 1/2 x 24 |
| 6 | 1540680 | Fitting, Hydraulic Coupler | 4 | C5505 x8 |
| 7 | Ref. | Hardline Assembly, Intermediate | 2 | |
| 8 | 1540721 | Fitting, Hydraulic | 2 | C5705 x8 |
| 9 | Ref. | Hardline Assembly, Primary | 2 | |
| 10 | Ref. | Pin, Clevis | 4 | |
| 11 | Ref. | Pin, Hair | 4 | |
| 12 | 1540097 | Cylinder, Hydraulic | 2 | DB2510 |
| 13 | Ref. | Fitting, Hydraulic Coupler | 4 | |

Hydraulics - Cable Rewind

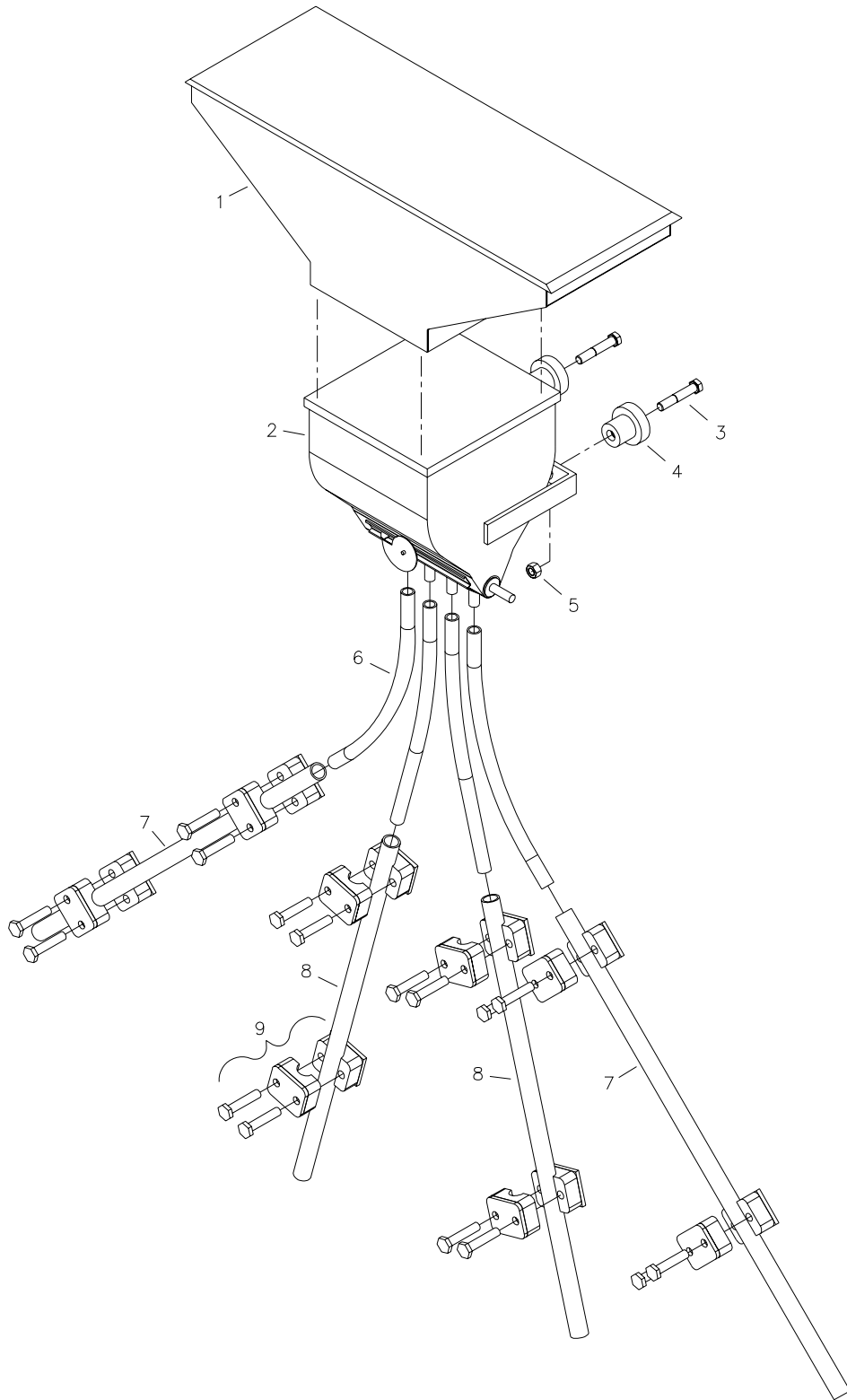


PARTS MANUAL

Hydraulics- Cable Rewind - Parts List

| Item# | Part# | Description | Qty. | Remarks |
|-------|---------|-------------------------|------|------------------|
| 1 | Ref. | Valve | 1 | |
| 2 | 1500167 | Handle, Hydraulic Valve | 1 | |
| 3 | 1540573 | Fitting, Hydraulic | 2 | C5315 x8 x10 |
| 4 | Ref. | Hose Assembly | 2 | 1/2 x 120 |
| 5 | Ref. | Capscrew, Hex | 1 | 3/8-16NC x 3-1/2 |
| 6 | 1030014 | Crank, Cable Rewind | 1 | |
| 7 | Ref. | Nut, Hex | 1 | 3/8-16NC |
| 8 | Ref. | Screw, Set | 1 | 3/8-16NC x 1/2 |
| 9 | 6008011 | Mount, Hydraulic Motor | 1 | |
| 10 | Ref. | Capscrew, Hex | 4 | 3/8-16NC x 1 |
| 11 | Ref. | Washer, Flat | 4 | 3/8 |
| 12 | 1541054 | Motor, Hydraulic | 1 | |
| 13 | 1541605 | Fitting, Hydraulic | 2 | 2404-8-8 |

Gandy Applicator



PARTS MANUAL

Gandy Applicator - Parts List

| Item# | Part# | Description | Qty. | Remarks |
|-------|---------|--------------------|------|------------------|
| 1 | 1206087 | Extension, Hopper | 1 | 14 - Gallon |
| 2 | 1500005 | Applicator, 4 hole | 1 | |
| 3 | ref. | Cap Screw, Hex | 2 | 5/8-11NC x 3-1/2 |
| 4 | 1500281 | Isolator | 2 | |
| 5 | ref. | Nut, Hex lock | 2 | 5/8-11NC |
| 6 | ref. | Tube, Clear vinyl | 4 | 1 x 21 |
| 7 | ref. | Pipe, PVC | 2 | 1 sch 40 x 40 |
| 8 | ref. | Pipe, PVC | 2 | 1 sch 40 x 35 |
| 9 | 1541249 | Clamp, | 8 | 1-1/4 single T |
| ref. | 1120564 | Kit, PVC pipes | ref | |