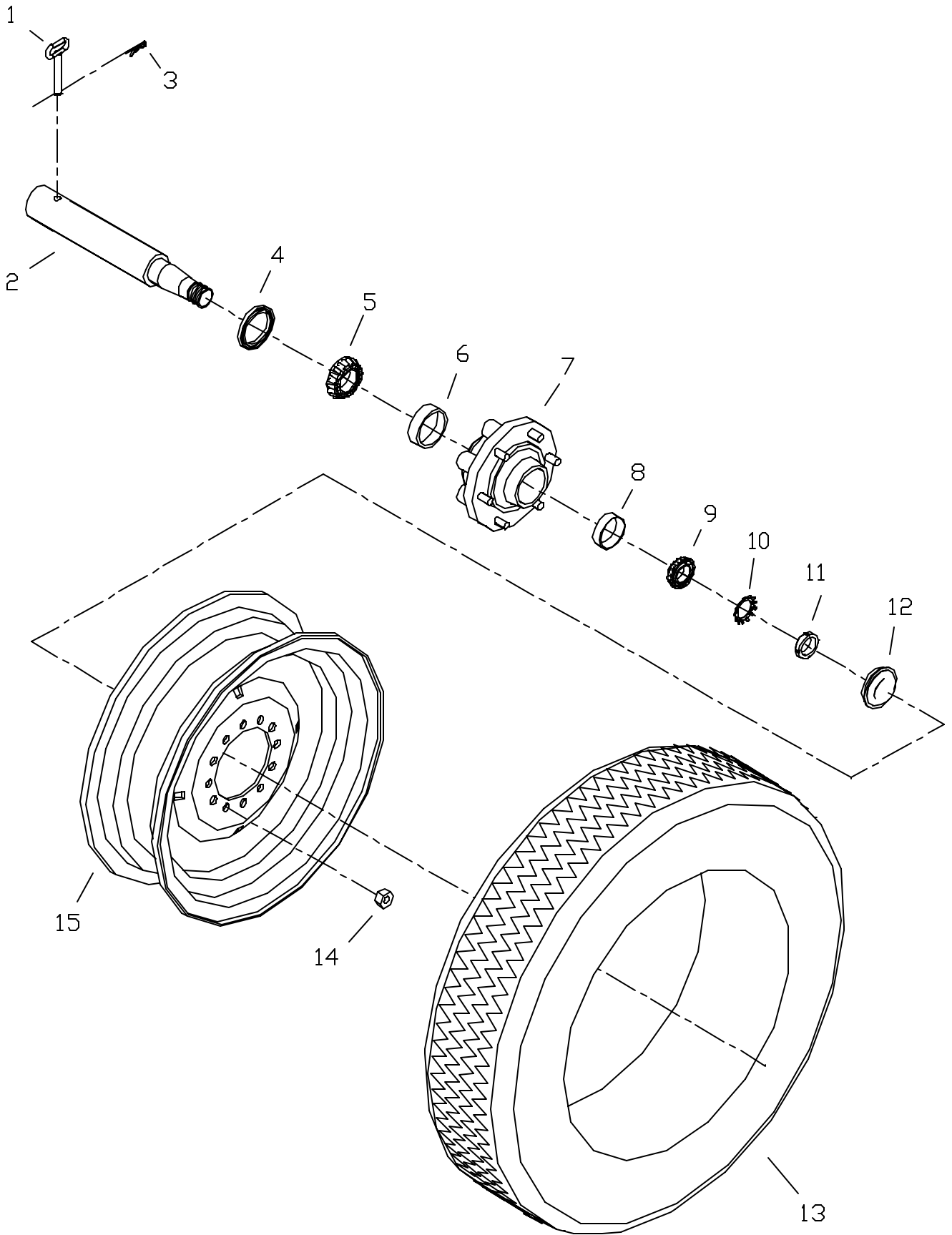


FRAME GROUP

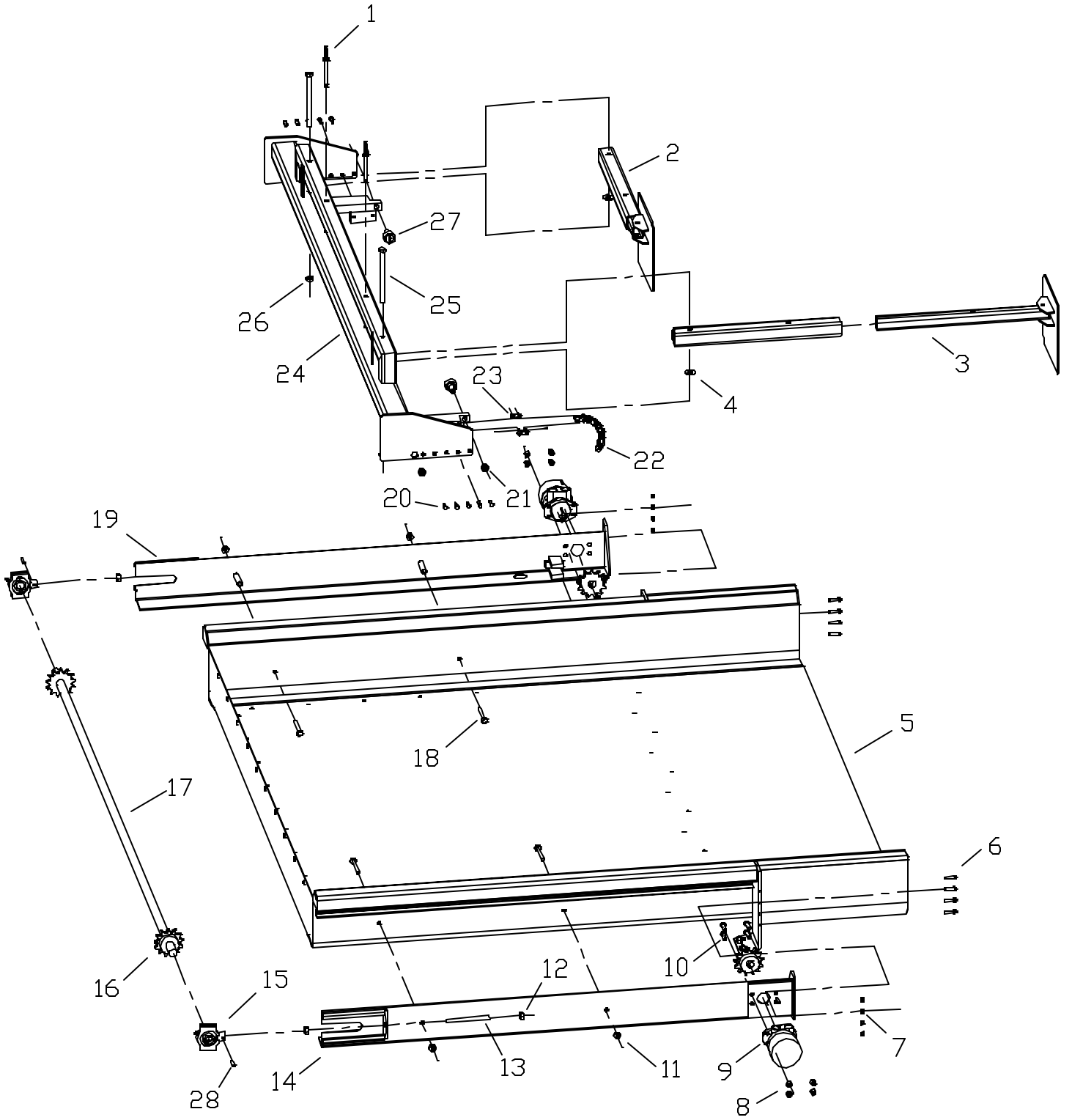
MR802

| KEY | PART NO. | PART NAME | QTY | REMARKS |
|-----|----------|--------------------------|-----|--------------------------|
| 1 | 5802014 | WHEEL, GAUGE | 1 | COMPLETE W/5 X 3 TUBE |
| 2 | 5802043 | HITCH, TOW | 1 | |
| 3 | 5802044 | TUBE, JACK | 2 | |
| 4 | 5802045 | FRAME, BASE | 1 | |
| 5 | 1541375 | FITTING, HYDRAULIC PLUG | 1 | 1" NP CS BL HX 5406-HP16 |
| 6 | 1501104 | GAUGE, SIGHT | 2 | 1" |
| 7 | 1550169 | PIN, HAIR | 2 | 5/32 X 2-5/16 |
| 8 | 1550148 | NUT, HEX | 2 | 5/8-11 NC NYLOC |
| 9 | 1550090 | CAP SCREW, HEX HEAD | 2 | 5/8-11 NC X 4 G5 |
| 10 | 5802046 | FOOT, JACK | 2 | |
| 11 | 1150171 | PIN, HITCH | 2 | 5/8 X 4-3/4" |
| 12 | 5802028 | FRAME, TRAILER TRANSPORT | 1 | |
| 13 | 5802120 | PIN, WHEEL STRUT PIVOT | 2 | |
| 14 | 1550059 | CAP SCREW, HEX HEAD | 2 | 3/8-16 NC 1-1/4 X G5 |
| 15 | 1550303 | NUT, HEX | 2 | 3/8-16 NC JAM NYLOC |
| 16 | 1550310 | CAP SCREW, FLAT HEAD | 2 | 3/4-10 NC X 2 |
| 17 | 5802121 | STRUT, WHEEL LEG | 2 | |
| 18 | 1541305 | NIPPLE | 2 | 1/2 X 6 SCH 40 BLACK |



WHEEL GROUP**MR802**

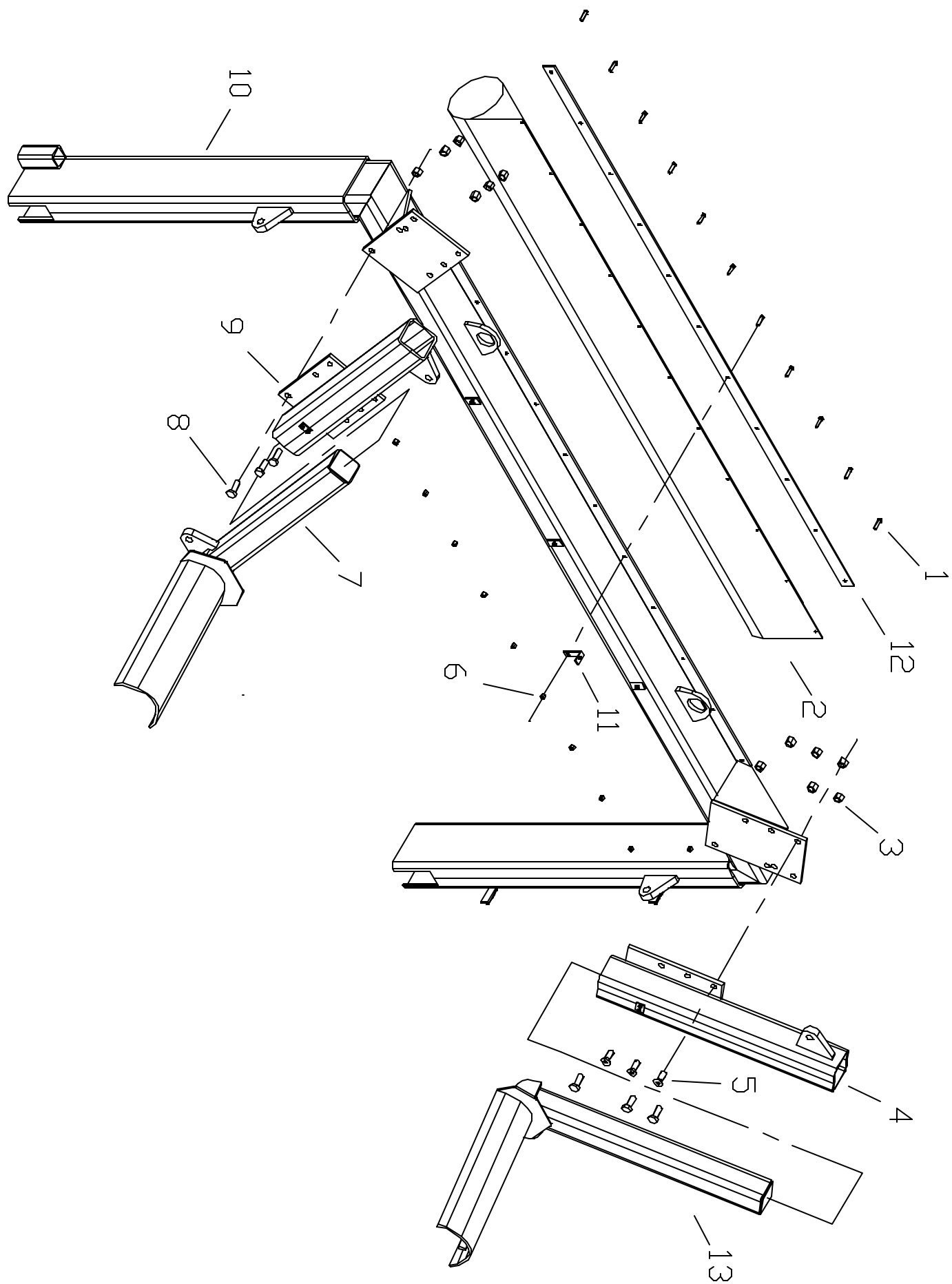
| KEY | PART NO. | PART NAME | QTY. | REMARKS |
|-----|----------|-----------------------------|------|-----------------|
| 1 | 1550172 | PIN, HITCH | 2 | 5/8 X 6-1/2 |
| 2 | 1010034 | SPINDLE | 2 | 2-1/4 X 14-7/8 |
| 3 | 1550168 | PIN, HAIR COTTER | 2 | 3/16 X 3-3/4 |
| 4 | 1510073 | BEARING, ROLLER CUP | 1 | JL69310 |
| 5 | 1500377 | SEAL, OIL WHEEL HUB | 1 | CR22368 |
| 6 | 1510090 | BEARING, ROLLER CONE | 2 | JL69349 |
| 7 | 1500182 | HUB, WHEEL | 2 | W887 |
| 8 | 1510093 | BEARING, ROLLER CUP | 1 | LM67010 |
| 9 | 1510113 | BEARING, ROLLER CONE | 1 | LM67048 |
| 10 | 1550228 | WASHER, LOCK EXTERNAL TOOTH | 2 | W06 |
| 11 | 1550136 | NUT, LOCK | 2 | N06 |
| 12 | 1500070 | CAP, DUST | 2 | |
| 13 | 1500551 | TIRE, 7-1/2 X 16LT | 2 | 7.5 X 16 LT |
| 14 | 1550309 | NUT, HUB LUG | 12 | # 641-2024 |
| 15 | 1500329 | RIM | 2 | 16 LT X 6 6-LUG |



BALE RAM GROUP

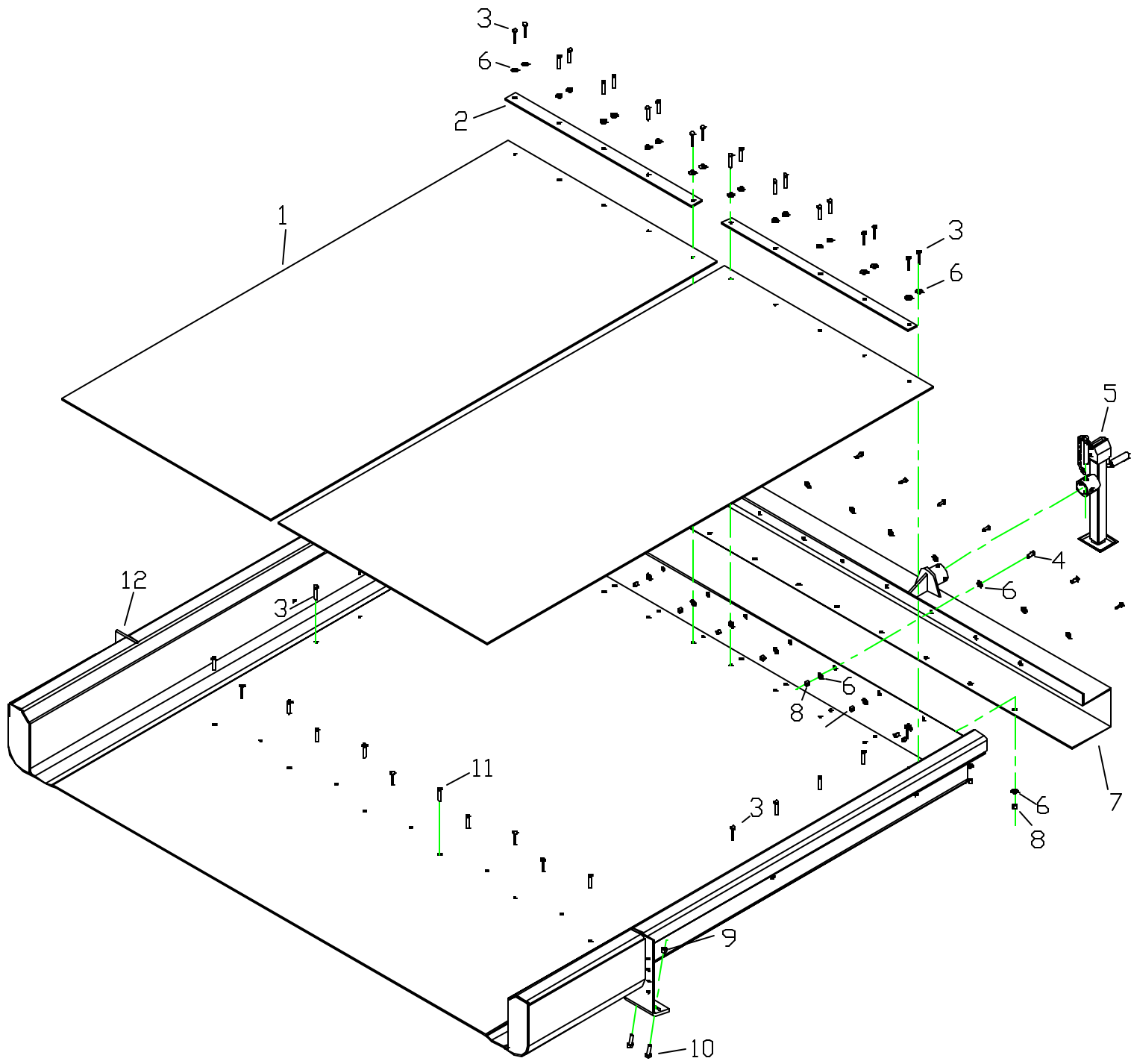
MR802

| KEY | PART NO. | PART NAME | QTY. | REMARKS |
|-----|----------|---------------------------------|------|------------------------------|
| 1 | 1550172 | PIN, HITCH | 2 | 5/8 X 6-1/2 |
| 2 | 5802055 | SOCKET, RAM EXTENSION | 2 | |
| 3 | 5802031 | RAM EXTENSION | 2 | |
| 4 | 1550209 | WASHER, FLAT | 4 | 5/8 |
| 5 | 5600103 | BALE PAN | 1 | |
| 6 | 1550059 | CAP SCREW, HEX HEAD | 8 | 3/8-16 NC X 1-1/4 G5 |
| 7 | 1550129 | NUT, HEX | 8 | 3/8-16 NC NYLOC |
| 8 | 1550145 | NUT, HEX | 8 | 1/2-13 NC NYLOC |
| 9 | 1541159 | MOTOR, HYDRAULIC | 2 | WHITE RE3208040 |
| 10 | 1550009 | CAP SCREW, HEX HEAD | 8 | 1/2-13 NC X 1-3/4 G5 |
| 11 | 1550144 | NUT, HEX | 4 | 1/2-13 NC NYLOC JAM |
| 12 | 1550125 | NUT, HEX | 4 | 5/8-11 NC |
| 13 | 2113004 | ALL THREAD | 2 | 3/4 NC X 7" |
| 14 | 5802051 | CHAIN HOUSING-RIGHT | 1 | |
| 15 | 1510077 | BEARING, TAKE-UP | 2 | 1-1/4 |
| 16 | 1520245 | SPROCKET | 4 | 80BS13 1-1/4 BORE 5/16 KW SS |
| 17 | 5802054 | IDLE SHAFT, BALE RAM | 1 | |
| 18 | 1550314 | BOLT, CARRIAGE | 4 | 1/2 X 4-1/2 |
| 19 | 5802052 | CHAIN HOUSING-LEFT | 1 | |
| 20 | 1550018 | CAP SCREW, HEX | 10 | 1/2-13 NC X 1-1/4 |
| 21 | 1550313 | NUT, HEX | 4 | 5/8-11 NC NYLOC JAM |
| 22 | 1520345 | CHAIN, ROLLER | 2 | 80 SUPER H X 71" |
| 23 | 1520076 | LINK | 2 | CONN SUPER 80H |
| 24 | 5802053 | BALE RAM | 1 | |
| 25 | 1550312 | CAP SCREW, HEX HEAD | 2 | 5/8-11 NC X 9 |
| 26 | 1550148 | NUT, HEX | 2 | 5/8-11 NC NYLOC |
| 27 | 1510056 | BEARING | 4 | 1-3/4" CAM FOLLOWER |
| 28 | 1550316 | PIN, ROLL | 2 | 5/16 X 1-3/8 |
| 29 | 5600062 | CHAIN CONNECTOR-TOP | 2 | |
| 30 | 1550349 | CAP SCREW, HEX HEAD (NOT SHOWN) | 2 | 5/8-18 NF X 1 G5 |
| 31 | 1550226 | WASHER, SPLIT LOCK (NOT SHOWN) | 2 | 5/8 |



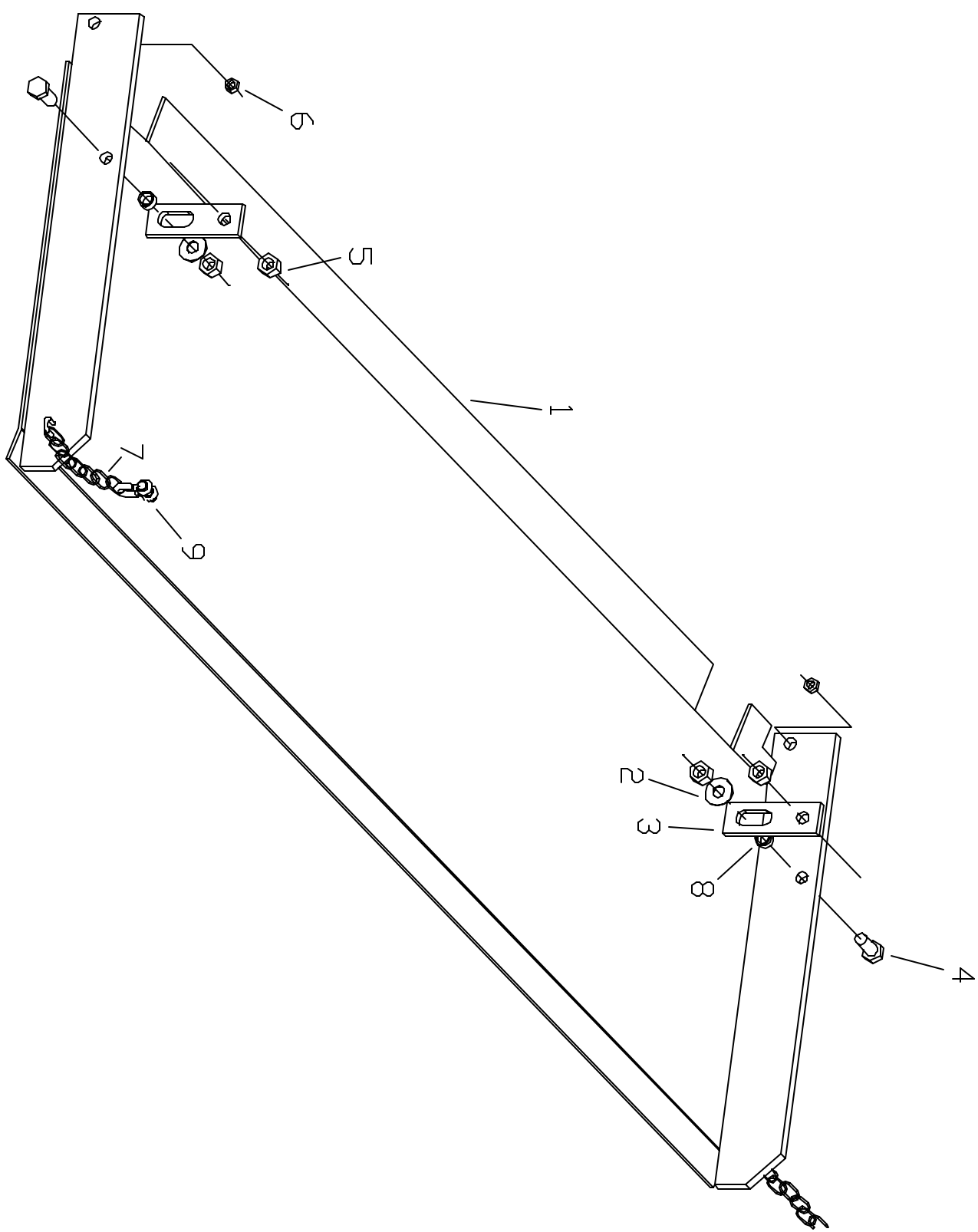
PADDLE GROUP**MR802**

| <i>KEY</i> | <i>PART NO.</i> | <i>PART NAME</i> | <i>QTY</i> | <i>REMARKS</i> |
|------------|-----------------|-----------------------------|------------|---------------------------|
| 1 | 1550058 | CAP SCREW, HEX HEAD | 11 | 3/8-16 NC X 1-1/2 G5 |
| 2 | 1501000 | SKIRTING | 1 | PVC, 12K0C X C # 90 X 48" |
| 3 | 1550128 | NUT, HEX | 12 | 3/4-10 NC NYLOC |
| 4 | 5802029 | SOCKET, STRETCHER ARM LEFT | 1 | |
| 5 | 1550310 | CAP SCREW, FLAT HEAD | 6 | 3/4-10 NC X 2 G5 |
| 6 | 1550145 | NUT, HEX | 11 | 1/2-13 NC NYLOC |
| 7 | 5802027 | STRETCHER ARM - RIGHT | 1 | |
| 8 | 1550044 | CAP SCREW, HEX HEAD | 6 | 3/4-10 NC X 2 G5 |
| 9 | 5802030 | SOCKET, STRETCHER ARM RIGHT | 1 | |
| 10 | 5802041 | FRAME, TOP | 1 | |
| 11 | 1100044 | MOUNT, ANTENNA | 1 | |
| 12 | 5802042 | BRACKET, BELT HOLDER | 1 | |
| 13 | 5802026 | STRETCHER ARM - LEFT | 1 | |



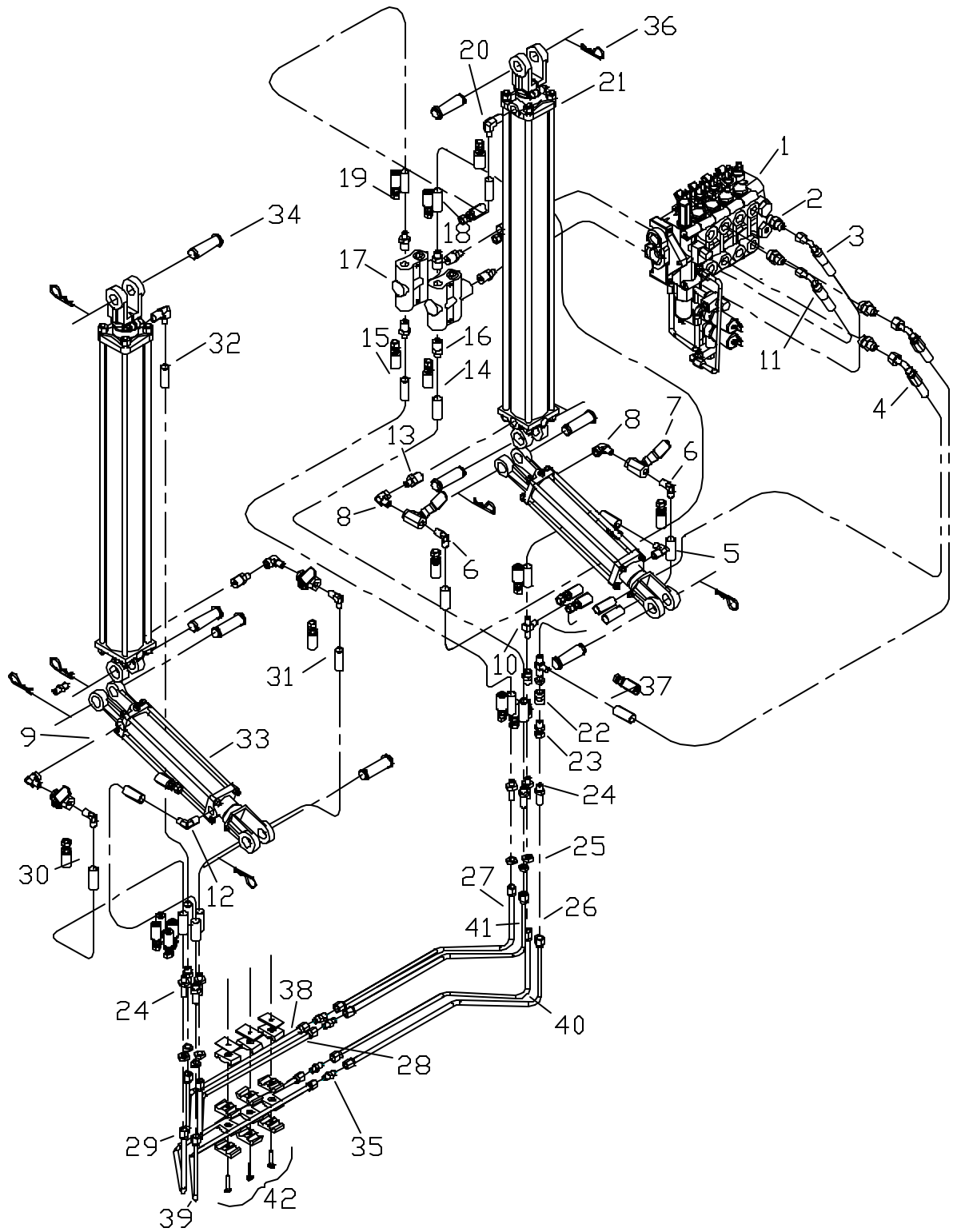
BALE PAN GROUP**MR802**

| <i>KEY</i> | <i>PART NO.</i> | <i>PART NAME</i> | <i>QTY</i> | <i>REMARKS</i> |
|------------|-----------------|-------------------------|------------|----------------------|
| 1 | 1500579 | UHMW, BALE SLIDE | 2 | 1/4 X 48 X 120 |
| 2 | 5802048 | BRACKET, UHMW RETAINING | 2 | |
| 3 | 1550060 | CAP SCREW, HEX HEAD | 28 | 3/8-16 NC X 2 G5 |
| 4 | 1550059 | CAP SCREW, HEX HEAD | 10 | 3/8-16 NC X 1-1/4 G5 |
| 5 | 1501044 | JACK, SWIVEL | 1 | 5000 LB. |
| 6 | 1550206 | WASHER, FLAT | 10 | 3/8 |
| 7 | 5802047 | BUMPER | 1 | |
| 8 | 1550129 | NUT, HEX | 10 | 3/8-16 NC NYLOC |
| 9 | 1550108 | NUT, HEX | 4 | 1/2-13 NC |
| 10 | 1550017 | CAP SCREW, HEX HEAD | 4 | 1/2-13 NC 1-1/2 G5 |
| 11 | 1550311 | BOLT, CARRIAGE | 11 | 3/8-16 NC 2 G5 |
| 12 | 5600103 | BALE PAN | 1 | |



BAG PAN GROUP**MR802**

| <i>KEY</i> | <i>PART NO.</i> | <i>PART NAME</i> | <i>QTY</i> | <i>REMARKS</i> |
|------------|-----------------|-----------------------------|------------|---------------------|
| 1 | 5600108 | BAG PAN | 1 | |
| 2 | 1550278 | WASHER, FLAT | 2 | 3/4" |
| 3 | 5802056 | BRACKET, BAG PAN ADJUSTMENT | 2 | |
| 4 | 1550044 | CAP SCREW, HEX HEAD | 2 | 3/4-10 NC X 2 G5 |
| 5 | 1550112 | NUT, HEX | 4 | 3/4-10 NC JAM |
| 6 | 1550144 | NUT, HEX | 2 | 1/2-13 NC NYLOC JAM |
| 7 | 1520062 | LINK, CHAIN | 14 | 1/4" |
| 8 | 5802057 | SPACER | 2 | 3/4" ID |
| 9 | 1500003 | SHACKLE | 2 | 7/16 X 1/2 |



FRAME LIFT HYDRAULIC GROUP

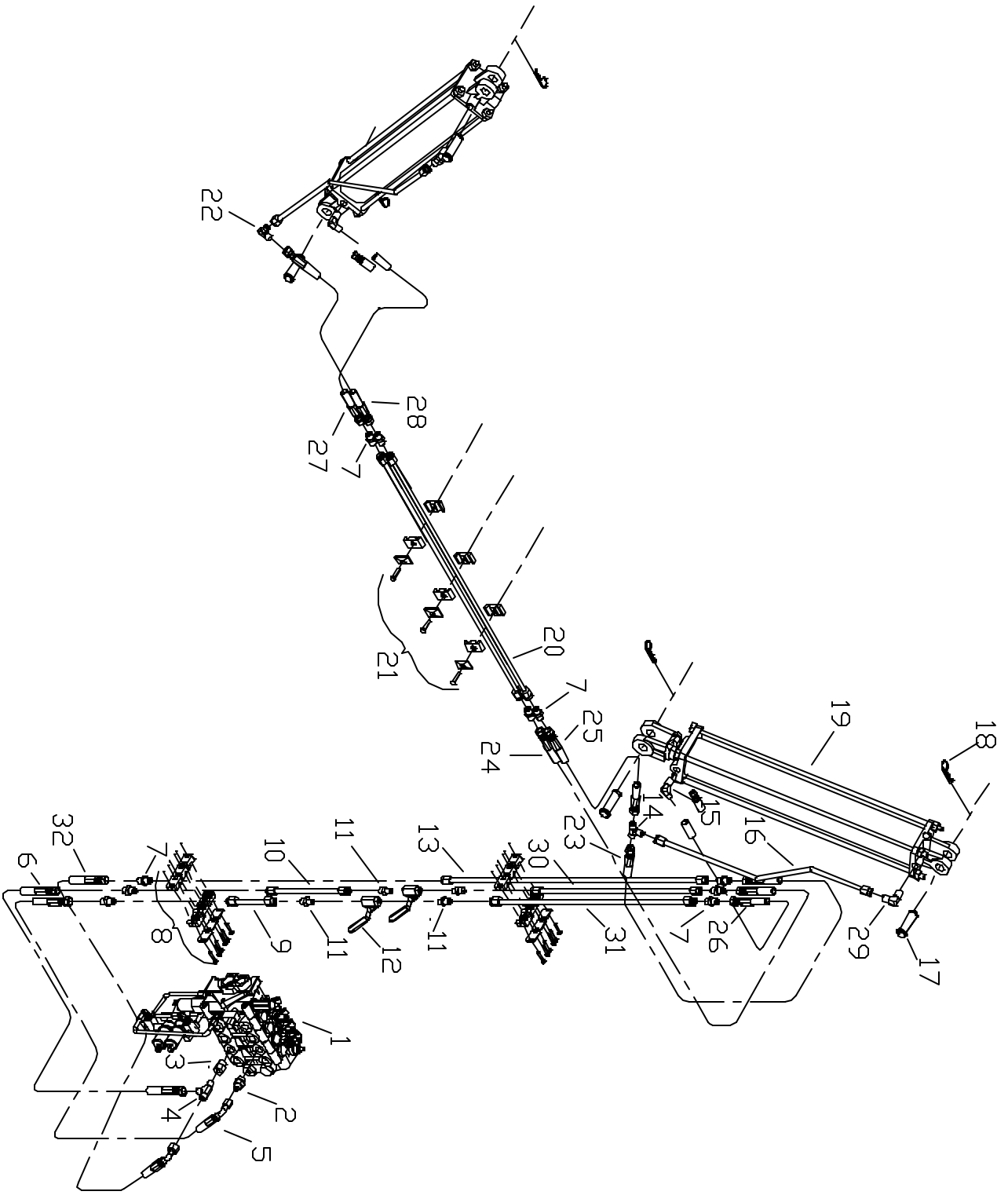
MR802

| KEY | PART NO. | PART NAME | QTY | REMARKS |
|-----|----------|----------------------------|-----|---------------------------------|
| 1 | 1541346 | VALVE | 1 | 4 BANK V-20 BI-DWG# 002 |
| 2 | 1540573 | FITTING, HYDRAULIC COUPLER | 4 | C5135 X 8 X 10 |
| 3 | 5802073 | HOSE ASSEMBLY | 1 | 42506U-668606-01900 |
| 4 | 5802074 | HOSE ASSEMBLY | 1 | 42506U-668606-03800 |
| 5 | 5802075 | HOSE ASSEMBLY | 2 | 42506U-606606-01900 |
| 6 | 1540651 | FITTING, HYDRAULIC COUPLER | 4 | C5405 X 6 |
| 7 | 1541085 | VALVE, BALL | 4 | 1/4 |
| 8 | 1540456 | FITTING, HYDRAULIC COUPLER | 4 | C3409 X 4 |
| 9 | 1540379 | FITTING, HYDRAULIC COUPLER | 2 | C3069 X 4 |
| 10 | 1540735 | FITTING, HYDRAULIC COUPLER | 2 | C5755 X 6 |
| 11 | 5802084 | HOSE ASSEMBLY | 1 | 42506U-668606-01800 |
| 12 | 1540653 | FITTING, HYDRAULIC COUPLER | 2 | C5405 X 6 X 6 |
| 13 | 1540384 | FITTING, HYDRAULIC COUPLER | 2 | C3069 X 8 X 4 |
| 14 | 5802085 | HOSE ASSEMBLY | 1 | 42506U-666606-02000 |
| 15 | 5802086 | HOSE ASSEMBLY | 1 | 42506U-666606-02100 |
| 16 | 1540516 | FITTING, HYDRAULIC COUPLER | 6 | C5205 X 6 X 8 |
| 17 | 1541109 | VALVE, FLOW DIVIDER | 2 | B100 1/2 PORT |
| 18 | 5802087 | HOSE ASSEMBLY | 1 | 42506U-666606-01500 |
| 19 | 5802081 | HOSE ASSEMBLY | 1 | 42506U-666606-04800 |
| 20 | 1540654 | FITTING, HYDRAULIC COUPLER | 2 | C5405 X 6 X 8 |
| 21 | 1541374 | CYLINDER, HYDRAULIC | 2 | DB330 |
| 22 | 1540442 | FITTING, HYDRAULIC COUPLER | 2 | C3309 X 4 |
| 23 | 1540366 | FITTING, HYDRAULIC COUPLER | 2 | 9100 X 6 X 4 |
| 24 | 1540590 | FITTING, HYDRAULIC COUPLER | 8 | C5325 X 6 |
| 25 | 1540749 | FITTING, HYDRAULIC COUPLER | 8 | C5924 X 6 |
| 26 | 5802093 | HARDLINE ASSEMBLY | 1 | WHEEL LIFT RETURN-VALVE SIDE |
| | 1541068 | TUBING, HYDRAULIC | 1 | 1/2" |
| | 1540217 | FITTING, NUT | 2 | FC-2875-8 |
| | 1540224 | FITTING, SLEEVE | 2 | FF-9605-8 |
| 27 | 5802094 | HARDLINE ASSEMBLY | 1 | FRAME LIFT RETURN-VALVE SIDE |
| | 1541068 | TUBING, HYDRAULIC | 1 | 1/2" |
| | 1540217 | FITTING, NUT | 2 | FC-2875-8 |
| | 1540224 | FITTING, SLEEVE | 2 | FF-9605-8 |
| 28 | 5802091 | HARDLINE ASSEMBLY | 1 | FRAME LIFT PRESSURE-ENGINE SIDE |
| | 1541068 | TUBING, HYDRAULIC | 1 | 1/2" |
| | 1540217 | FITTING, NUT | 2 | FC-2875-8 |
| | 1540224 | FITTING, SLEEVE | 2 | FF-9605-8 |
| 29 | 5802095 | HARDLINE ASSEMBLY | 1 | WHEEL LIFT PRESSURE-ENGINE SIDE |
| | 1541068 | TUBING, HYDRAULIC | 1 | 1/2" |
| | 1540217 | FITTING, NUT | 2 | FC-2875-8 |
| | 1540224 | FITTING, SLEEVE | 2 | FF-9605-8 |
| 30 | 5802078 | HOSE ASSEMBLY | 2 | 42506U-606606-02000 |
| 31 | 5802088 | HOSE ASSEMBLY | 1 | 42506U-606606-03400 |
| 32 | 5802089 | HOSE ASSEMBLY | 1 | 42506U-606606-03500 |
| 33 | 1540092 | CYLINDER, HYDRAULIC | 2 | DB208 |
| 34 | 1550156 | PIN, CLEVIS | 8 | 1 X 3-1/4 |
| 35 | 1540545 | FITTING, HYDRAULIC COUPLER | 4 | C5305 X 6 |
| 36 | 1550169 | PIN, HAIR | 8 | 5/32 X 2-15/16 |
| 37 | 5802090 | HOSE ASSEMBLY | 1 | 42506U-668608-04100 |
| 38 | 5802093 | HARDLINE ASSEMBLY | 1 | FRAME LIFT RETURN-ENGINE SIDE |
| | 1541068 | TUBING, HYDRAULIC | 1 | 1/2" |
| | 1540217 | FITTING, NUT | 2 | FC-2875-8 |
| | 1540224 | FITTING, SLEEVE | 2 | FF-9605-8 |

FRAME LIFT HYDRAULIC GROUP

MR802

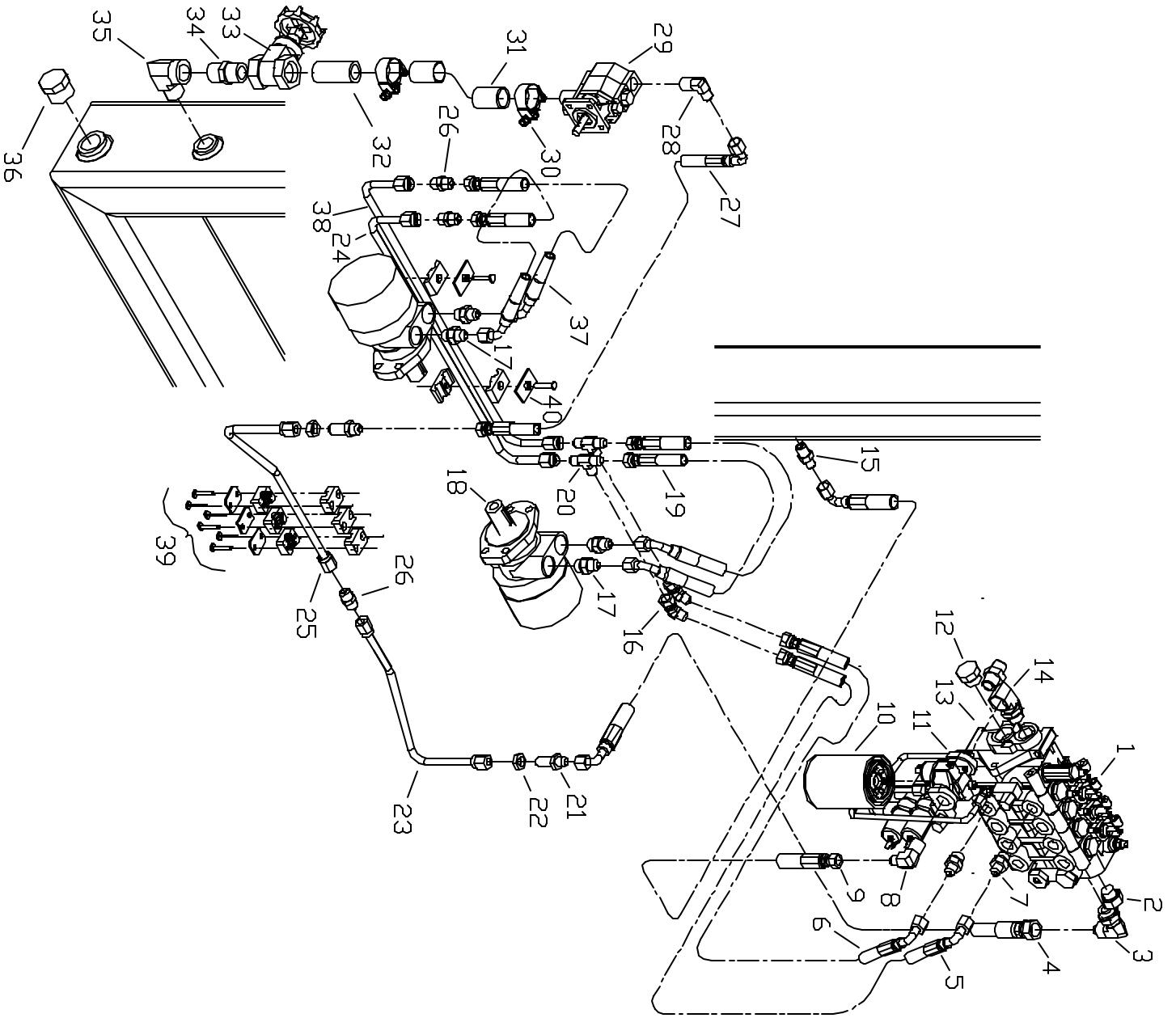
| <i>KEY</i> | <i>PART NO.</i> | <i>PART NAME</i> | <i>QTY</i> | <i>REMARKS</i> |
|------------|-----------------|-----------------------|------------|--------------------------------|
| 39 | 5802097 | HARDLINE ASSEMBLY | 1 | WHEEL LIFT RETURN-ENGINE SIDE |
| | 1541068 | TUBING, HYDRAULIC | 1 | 1/2" |
| | 1540217 | FITTING, NUT | 2 | FC-2875-8 |
| | 1540224 | FITTING, NUT | 2 | FF-9605-8 |
| 40 | 5802096 | HARDLINE ASSEMBLY | 1 | WHEEL LIFT PRESSURE-VALVE SIDE |
| | 1541068 | TUBING, HYDRAULIC | 1 | 1/2" |
| | 1540217 | FITTING, NUT | 2 | FC-2875-8 |
| | 1540224 | FITTING, SLEEVE | 2 | FF-9605-8 |
| 41 | 5802092 | HARDLINE ASSEMBLY | 1 | FRAME LIFT PRESSURE-VALVE SIDE |
| | 1541068 | TUBING, HYDRAULIC | 1 | 1/2" |
| | 1540217 | FITTING, NUT | 2 | FC-2875-8 |
| | 1540224 | FITTING, SLEEVE | 2 | FF-9605-8 |
| 42 | 1541247 | CLAMP, HYDRAULIC TUBE | 3 | 1/2 DOUBLE "T" |



STRETCHER ARM HYDRAULIC GROUP

MR802

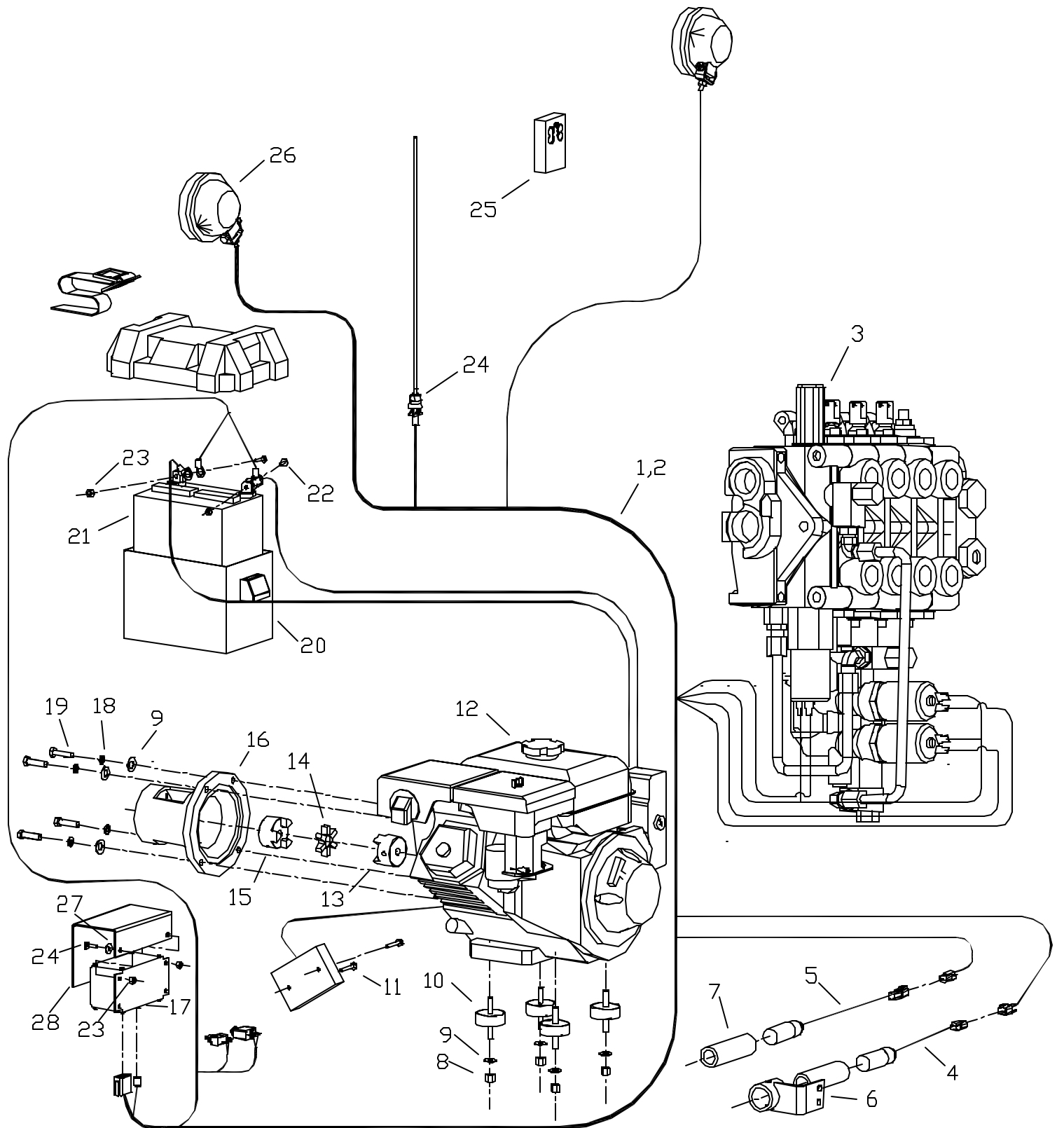
| KEY | PART NO. | PART NAME | QTY | REMARKS |
|-----|----------|----------------------------|-----|---------------------------------|
| 1 | 1541346 | VALVE | 1 | 4 BANK V-20 BI-DWG #002 |
| 2 | 1540573 | FITTING, HYDRAULIC COUPLER | 1 | C5315 X 8 X 10 |
| 3 | 1540426 | FITTING, HYDRAULIC COUPLER | 1 | C3269 X 10 X 6 |
| 4 | 1540736 | FITTING, HYDRAULIC COUPLER | 1 | C5755 X 8 |
| 5 | 5802104 | HOSE ASSEMBLY | 1 | 42506U-668608-08500 |
| 6 | 5802105 | HOSE ASSEMBLY | 1 | 42506U-608608-08200 |
| 7 | 1540546 | FITTING, HYDRAULIC COUPLER | 7 | C5305 X 8 |
| 8 | 1541251 | CLAMP, HYDRAULIC TUBE | 6 | 1/2 SINGLE T |
| 9 | 5802106 | HARDLINE ASSEMBLY | 1 | VALVE SIDE PADDLE RETRACT SHORT |
| | 1541068 | TUBING, HYDRAULIC | 1 | 1/2" |
| | 1540217 | FITTING, NUT | 2 | FC-2875-8 |
| | 1540224 | FITTING, SLEEVE | 2 | FF-9605-8 |
| 10 | 5802107 | HARDLINE ASSEMBLY | 1 | ENGINE SIDE PADDLE RETRACT SHOR |
| | 1541068 | TUBING, HYDRAULIC | 1 | 1/2" |
| | 1540217 | FITTING, NUT | 2 | FC-2875-8 |
| | 1540224 | FITTING, SLEEVE | 2 | FF-9605-8 |
| 11 | 1540519 | FITTING, HYDRAULIC COUPLER | 4 | C5205 X 8 X 4 |
| 12 | 1541085 | VALVE, BALL | 2 | 1/4" |
| 13 | 5802108 | HARDLINE ASSEMBLY | 1 | PADDLE EXTEND - MAIN |
| | 1541068 | TUBING, HYDRAULIC | 1 | 1/2" |
| | 1540217 | FITTING, NUT | 2 | FC-2875-8 |
| | 1540224 | FITTING, SLEEVE | 2 | FF-9605-8 |
| 14 | 1540721 | FITTING, HYDRAULIC COUPLER | 1 | C5705 X 8 |
| 15 | 1540654 | FITTING, HYDRAULIC COUPLER | 2 | C5405 X 6 X 8 |
| 16 | 5600123 | HARDLINE ASSEMBLY | 2 | VALVE SIDE PADDLE EXTEND |
| | 1541068 | TUBING, HYDRAULIC | 1 | 1/2" |
| | 1540217 | FITTING, NUT | 2 | FC-2875-8 |
| | 1540224 | FITTING, SLEEVE | 2 | FF-9605-8 |
| 17 | 1550156 | PIN, CLEVIS | 4 | 1 X 3-1/4 |
| 18 | 1550169 | PIN, HAIR | 4 | 5/32 X 2-15/16 |
| 19 | 1540113 | HYDRAULIC CYLINDER | 2 | DB424 |
| 20 | 5802110 | HARDLINE ASSEMBLY | 2 | TOP CROSSOVER |
| | 1541068 | TUBING, HYDRAULIC | 1 | |
| | 1540217 | FITTING, NUT | 2 | FC-2875-8 |
| | 1540224 | FITTING, SLEEVE | 2 | FF-9605-8 |
| 21 | 1541247 | CLAMP, HYDRAULIC TUBE | 3 | 1/2 DOUBLE T |
| 22 | 1540680 | FITTING, HYDRAULIC COUPLER | 1 | C5505 X 8 |
| 23 | 5802113 | HOSE ASSEMBLY | 1 | 42506U-608608-03200 |
| 24 | 5802114 | HOSE ASSEMBLY | 1 | 42506U-608608-05400 |
| 25 | 5802115 | HOSE ASSEMBLY | 1 | 42506U-608608-01800 |
| 26 | 5802116 | HOSE ASSEMBLY | 1 | 42506U-608606-03600 |
| 27 | 5802117 | HOSE ASSEMBLY | 1 | 42506U-608606-01800 |
| 28 | 5802118 | HOSE ASSEMBLY | 1 | 42506U-608608-02200 |
| 29 | 1540659 | FITTING, HYDRAULIC COUPLER | 2 | C5405 X 8 X 8 |
| 30 | 5802111 | HARDLINE ASSEMBLY | 1 | CROSSOVER |
| | 1541068 | TUBING, HYDRAULIC | 1 | 1/2" |
| | 1540217 | FITTING, NUT | 2 | FC-2875-8 |
| | 1540224 | FITTING, SLEEVE | 2 | FF-9605-8 |
| 31 | 5802112 | HARDLINE ASSEMBLY | 1 | VALVE SIDE PADDLE RETRACT LONG |
| | 1541068 | TUBING, HYDRAULIC | 1 | 1/2" |
| | 1540217 | FITTING, NUT | 2 | FC-2875-8 |
| | 1540224 | FITTING, SLEEVE | 2 | FF-9605-8 |
| 32 | 5802119 | HOSE ASSEMBLY | 1 | 42506U-668608-08200 |



PUMP DRIVE HYDRAULIC GROUP

MR802

| KEY | PART NO. | PART NAME | QTY | REMARKS |
|-----|----------|----------------------------|-----|------------------------------|
| 1 | 1541346 | VALVE | 1 | 4 BANK V-20 BI-DWG # 002 |
| 2 | 1540348 | FITTING, HYDRAULIC PLUG | 1 | 7237 X 12 |
| 3 | 1540687 | FITTING, HYDRAULIC COUPLER | 1 | C5515 X 12 |
| 4 | 5802099 | HOSE ASSEMBLY | 1 | 42508U-668612-03800 |
| 5 | 5802067 | HOSE ASSEMBLY | 1 | 42506U-668608-05100 |
| 6 | 5802068 | HOSE ASSEMBLY | 1 | 42506U-668608-04800 |
| 7 | 1540573 | FITTING, HYDRAULIC COUPLER | 2 | C5315 X 8 X 10 |
| 8 | 1540656 | FITTING, HYDRAULIC COUPLER | 1 | C5405 X 8 X 12 |
| 9 | 5802069 | HOSE ASSEMBLY | 1 | 42508U-668608-03600 |
| 10 | 1540167 | FILTER, HYDRAULIC OIL | 1 | FPE 30-25N |
| 11 | 1540166 | BASE, FILTER | 1 | FPC3012NXAR4X |
| 12 | 1540349 | FITTING, HYDRAULIC PLUG | 1 | 7237 X 14 |
| 13 | 1540373 | FITTING, HYDRAULIC COUPLER | 1 | C3069 X 12 |
| 14 | 1540460 | FITTING, HYDRAULIC COUPLER | 1 | C3459 X 12 |
| 15 | 1540520 | FITTING, HYDRAULIC COUPLER | 1 | C5205 X 8 X 8 |
| 16 | 1540621 | FITTING, HYDRAULIC COUPLER | 2 | C5356 X 8 |
| 17 | 1540573 | FITTING, HYDRAULIC COUPLER | 4 | C5315 X 8 X 10 |
| 18 | 1541159 | MOTOR, HYDRAULIC | 2 | WHITE RE3208040 |
| 19 | 5802073 | HOSE ASSEMBLY | 2 | 42506U-668608-01900 |
| 20 | 1540721 | FITTING, HYDRAULIC COUPLER | 2 | C5705 X 8 |
| 21 | 1540591 | FITTING, BULKHEAD UNION | 2 | C5325 X 8 |
| 22 | 1540750 | FITTING, BULKHEAD NUT | 2 | C5924 X 8 |
| 23 | 5802103 | HARDLINE ASSEMBLY | 1 | VALVE PRESSURE - VALVE SIDE |
| | 1541068 | TUBING, HYDRAULIC | 1 | 1/2" |
| | 1540217 | FITTING, NUT | 2 | FC-2875-8 |
| | 1540224 | FITTING, SLEEVE | 2 | FF-9605-8 |
| 24 | 5802100 | HARDLINE ASSEMBLY | 1 | BALE RAM-RETRACT |
| | 1541068 | TUBING, HYDRAULIC | 1 | 1/2" |
| | 1540217 | FITTING, NUT | 2 | FC-2875-8 |
| | 1540224 | FITTING, SLEEVE | 2 | FF-9605-8 |
| 25 | 5802102 | HARDLINE ASSEMBLY | 1 | VALVE PRESSURE - ENGINE SIDE |
| | 1541068 | TUBING, HYDRAULIC | 1 | 1/2" |
| | 1540217 | FITTING, NUT | 2 | FC-2875-8 |
| | 1540224 | FITTING, SLEEVE | 2 | FF-9605-8 |
| 26 | 1540546 | FITTING, HYDRAULIC COUPLER | 3 | C5305 X 8 |
| 27 | 5802072 | HOSE ASSEMBLY | | 42508U-668608-03000 |
| 28 | 1540659 | FITTING, HYDRAULIC COUPLER | 1 | C5405 X 8 X 8 |
| 29 | 1541001 | PUMP, HYDRAULIC | 1 | 4F663 BARNES |
| 30 | 1540049 | CLAMP, T-BOLT | 2 | 1-1/2 |
| 31 | 1540864 | HOSE, HYDRAULIC SUCTION | 1 | H42508-02000 |
| 32 | 1540941 | NIPPLE | 1 | 1 X 3 |
| 33 | 1541113 | VALVE, GATE | 1 | 1" 200# |
| 34 | 1540375 | FITTING, HYDRAULIC COUPLER | 1 | C3069 X 16 |
| 35 | 1540452 | FITTING, HYDRAULIC COUPLER | 1 | C3409 X 16 |
| 36 | 1540404 | FITTING, HYDRAULIC PLUG | 1 | C3159 X 20 |
| 37 | 5802076 | HOSE ASSEMBLY | 2 | 42506U-668608-01500 |
| 38 | 5802101 | HARDLINE ASSEMBLY | 1 | BALE RAM-ENGAGE |
| | 1541068 | TUBING, HYDRAULIC | 1 | 1/2" |
| | 1540217 | FITTING, NUT | 2 | FC-2875-8 |
| | 1540224 | FITTING, SLEEVE | 2 | FF-9605-8 |
| 39 | 1541251 | CLAMP, HYDRAULIC TUBE | 3 | 1/2" SINGLE "T" |
| 40 | 1541247 | CLAMP, HYDRAULIC TUBE | 2 | 1/2" DOUBLE "T" |



ELECTRICAL GROUP

MR802

| KEY | PART NO. | PART NAME | QTY | REMARKS |
|-----|----------|-----------------------------------|-----|----------------------|
| 1 | 1501301 | HARNESS, W/ANTENNA | 1 | WIRE 802 (COMPLETE) |
| 2 | 1501288 | HARNESS, WIRE | 1 | |
| 3 | 1541346 | VALVE | 1 | V-20 BI-DWG # 002 |
| 4 | 1501292 | SENSOR W/PLUG, PROXIMITY MALE | 1 | REVERSE |
| 5 | 1501291 | SENSOR W/PLUG, PROXIMITY FEMALE | 1 | FORWARD |
| 6 | 1100045 | BRACKET, REMOTE CONTROL SOCKET | 1 | |
| 7 | 1100021 | SOCKET, REMOTE CONTROL SENSOR | 2 | UHMW |
| 8 | 1550147 | NUT, HEX | 4 | 3/8-16 NC NYLOC |
| 9 | 1550206 | WASHER, FLAT | 4 | 3/8 |
| 10 | 1500918 | ISOLATOR | 4 | 3CC07 I HP - ENGINE |
| 11 | 1550304 | SCREW, SELF-TAPPING | 2 | # 14 X 1-1/2 |
| 12 | 1501078 | ENGINE, HONDA | 1 | GX240K12AE2 |
| 13 | 1500671 | COUPLER, JAW | 1 | L-095 1" |
| 14 | 1500872 | SPIDER, VERTHANE | 1 | SRL 090/95 |
| 15 | 1500871 | COUPLER, JAW | 1 | ML095 X 1/2 |
| 16 | 1500915 | ADAPTER, PUMP | 1 | 3032 |
| 17 | 1501218 | RECEIVER, REMOTE CONTROL | 1 | K4A001 |
| 18 | 1550217 | WASHER, SPLIT LOCK | 4 | 3/8 |
| 19 | 1550058 | CAP SCREW, HEX HEAD | 4 | 3/8-16 NC X 1-1/2 G5 |
| 20 | 1500976 | BOX, GARDEN TRACTOR BATTERY W/LID | 1 | 9082-1 |
| 21 | 1500013 | BATTERY, GARDEN TRACTOR | 1 | 12 VOLT |
| 22 | 1550033 | CAP SCREW, HEX HEAD | 4 | 1/4-20 NC X 3/4 G5 |
| 23 | 1550110 | NUT, HEX | 4 | 1/4-20 NC |
| 24 | 1501287 | ANTENNA, REMOTE CONTROL - RIGID | 1 | |
| 25 | 1501286 | REMOTE CONTROL, HAND UNIT | 1 | |
| 26 | 1500253 | LIGHT, SPOT | 2 | 3 AMP 12 VOLT |
| 27 | 1550205 | WASHER, FLAT | 2 | 3/4 |
| 28 | 5600120 | SHIELD, HEAT | 1 | REMOTE CONTROL |