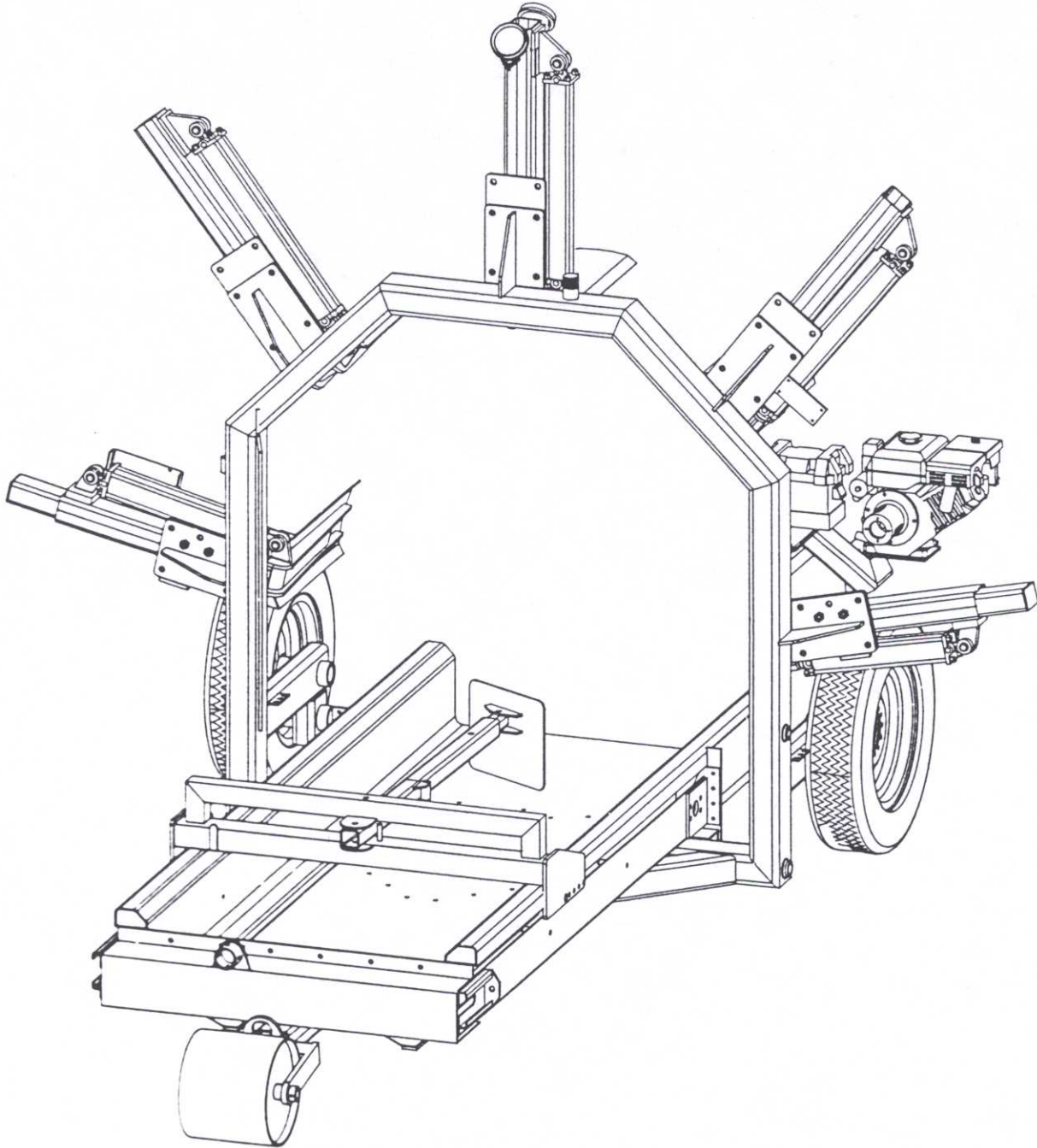
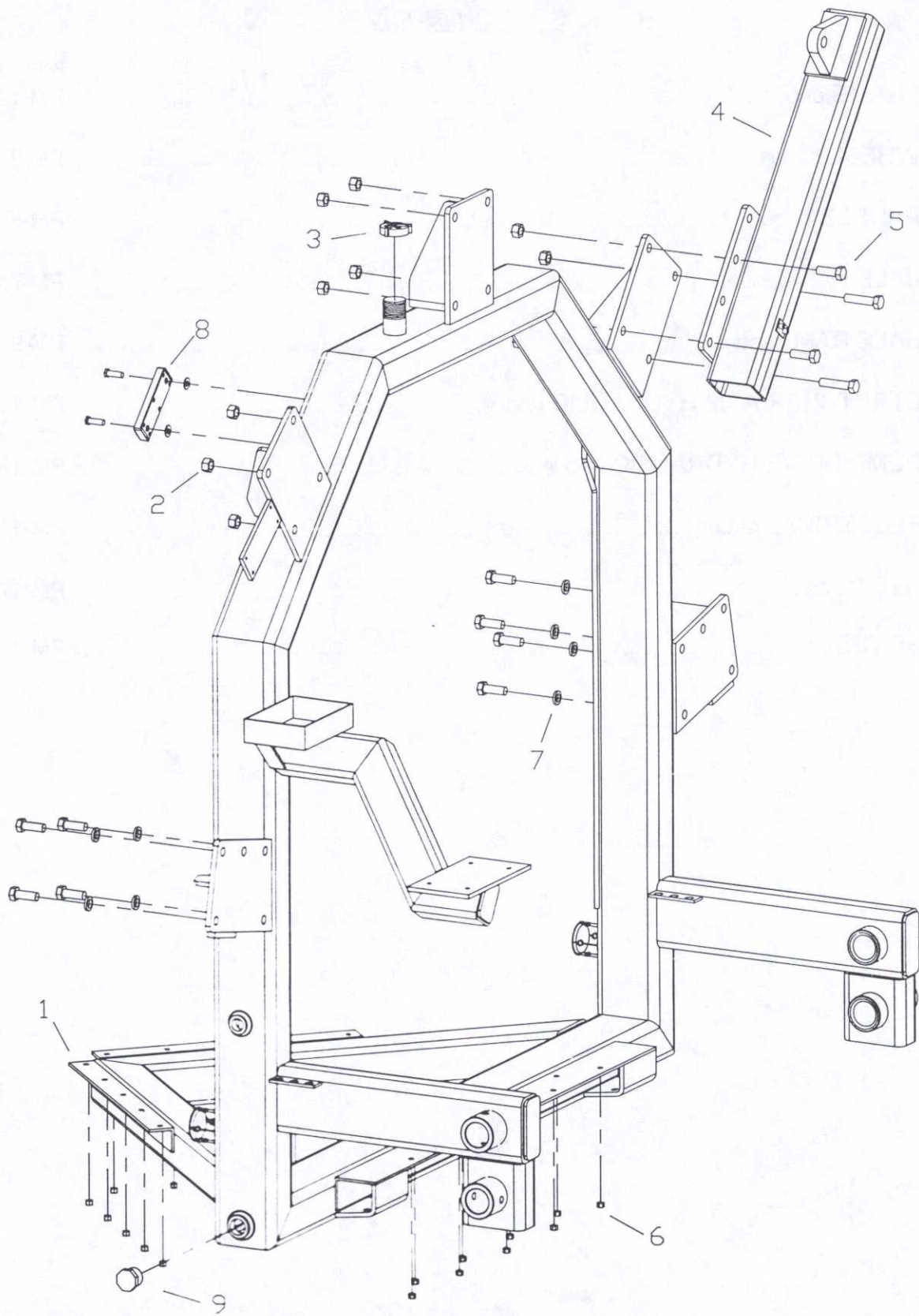


Parts Manual

MR5603

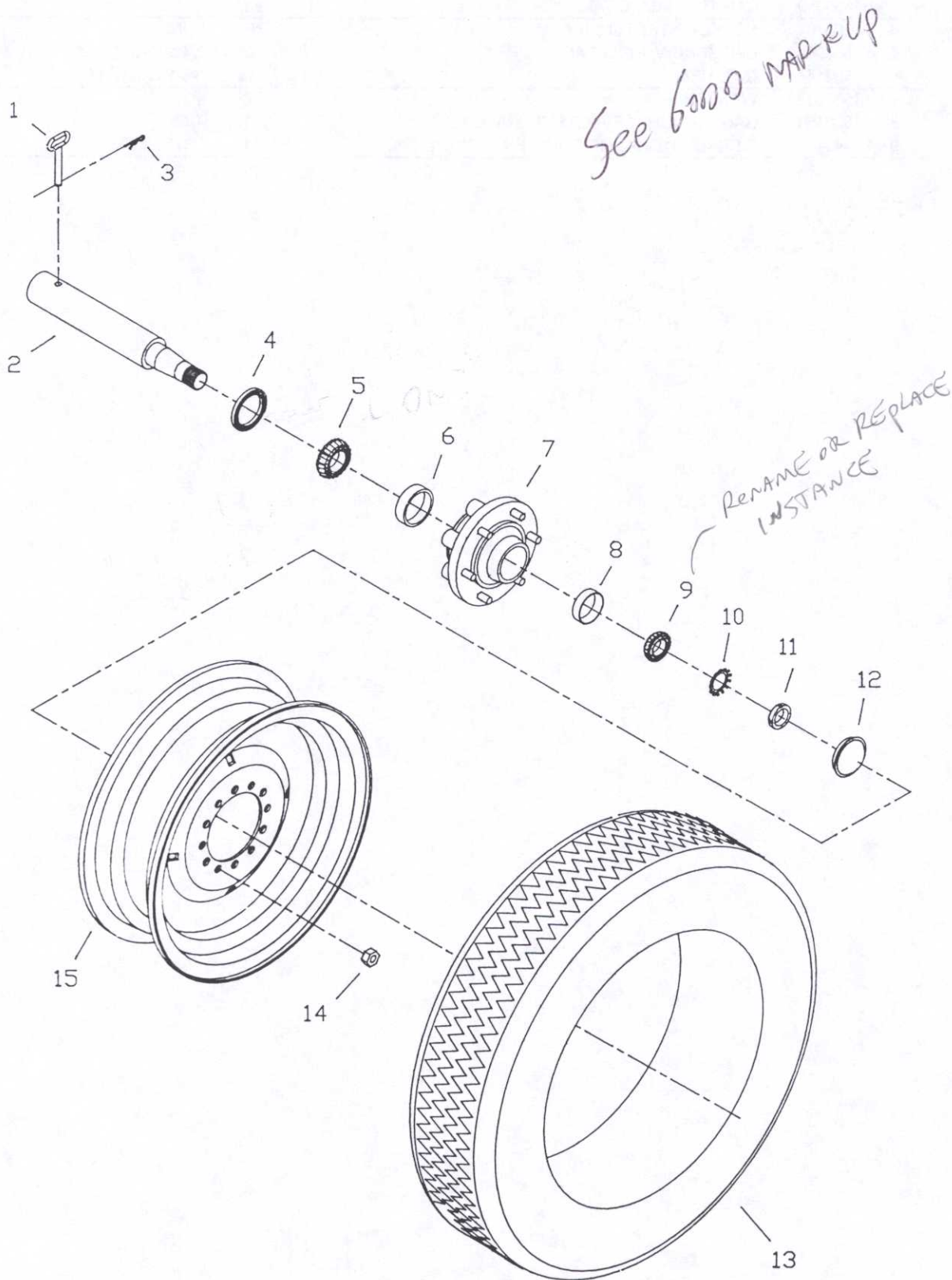


1998-99



FRAME GROUP**MR5603**

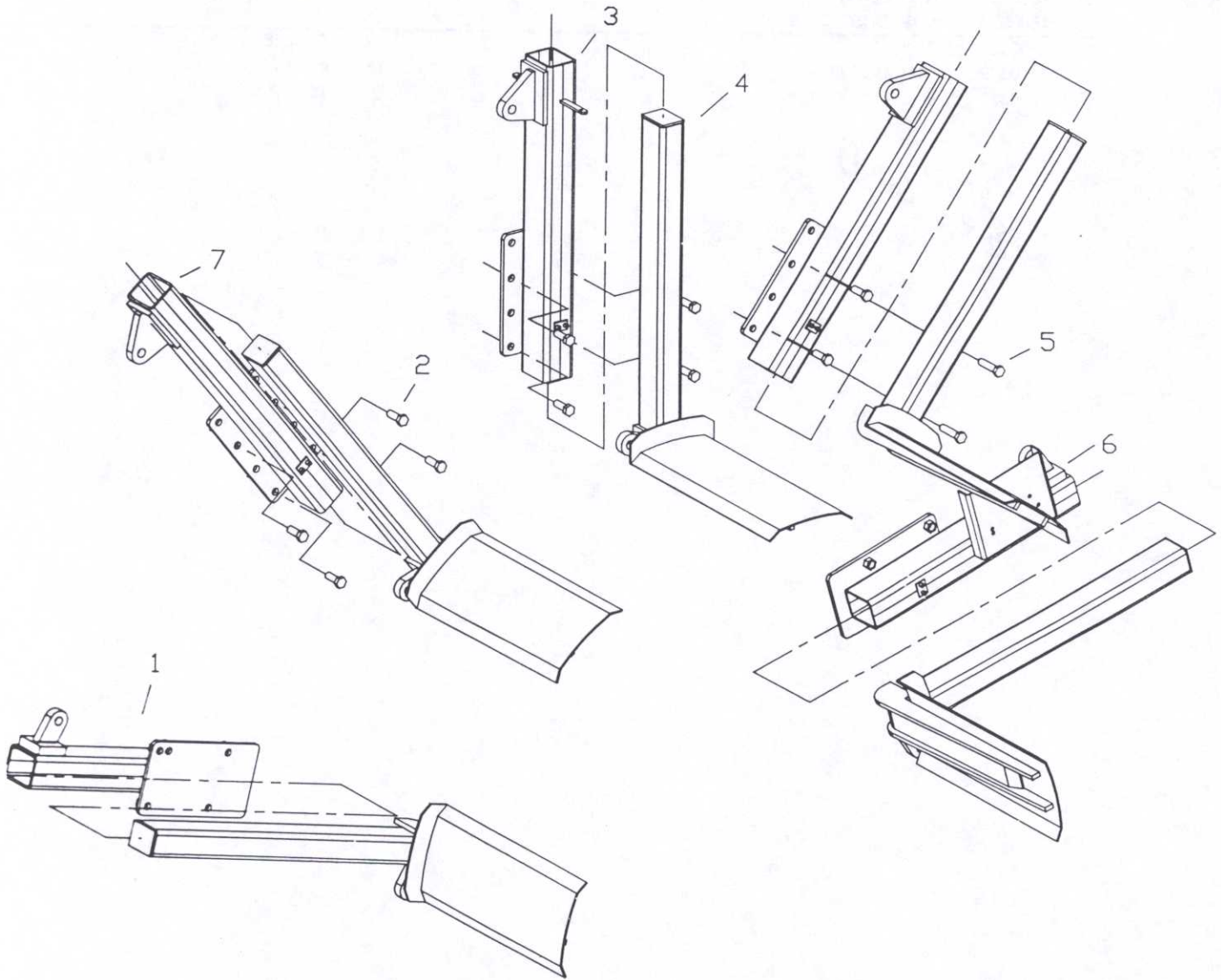
KEY	PART NO.	PART NAME	QTY	REMARKS
1	5600097	FRAME, MAIN	1	
2	1550128	NUT, HEX	20	3/4-10 NC NYLOC
3	1500059	CAP, HYDRAULIC TANK	1	
4	5600101	SOCKET, STRETCHER ARM	REF.	LONG
5	1550044	CAP SCREW, HEX HEAD	20	3/4-10 NC X 2 G5
6	1550147	NUT, HEX	19	3/8-16 NC NYLOC
7	1550202	WASHER, FLAT	8	1/2
8	1500156	GAUGE, SIGHT LEVEL TEMPERATURE	1	T-550-5
9	1540404	FITTING, HYDRAULIC COUPLER	1	C3159 X 20



WHEEL GROUP

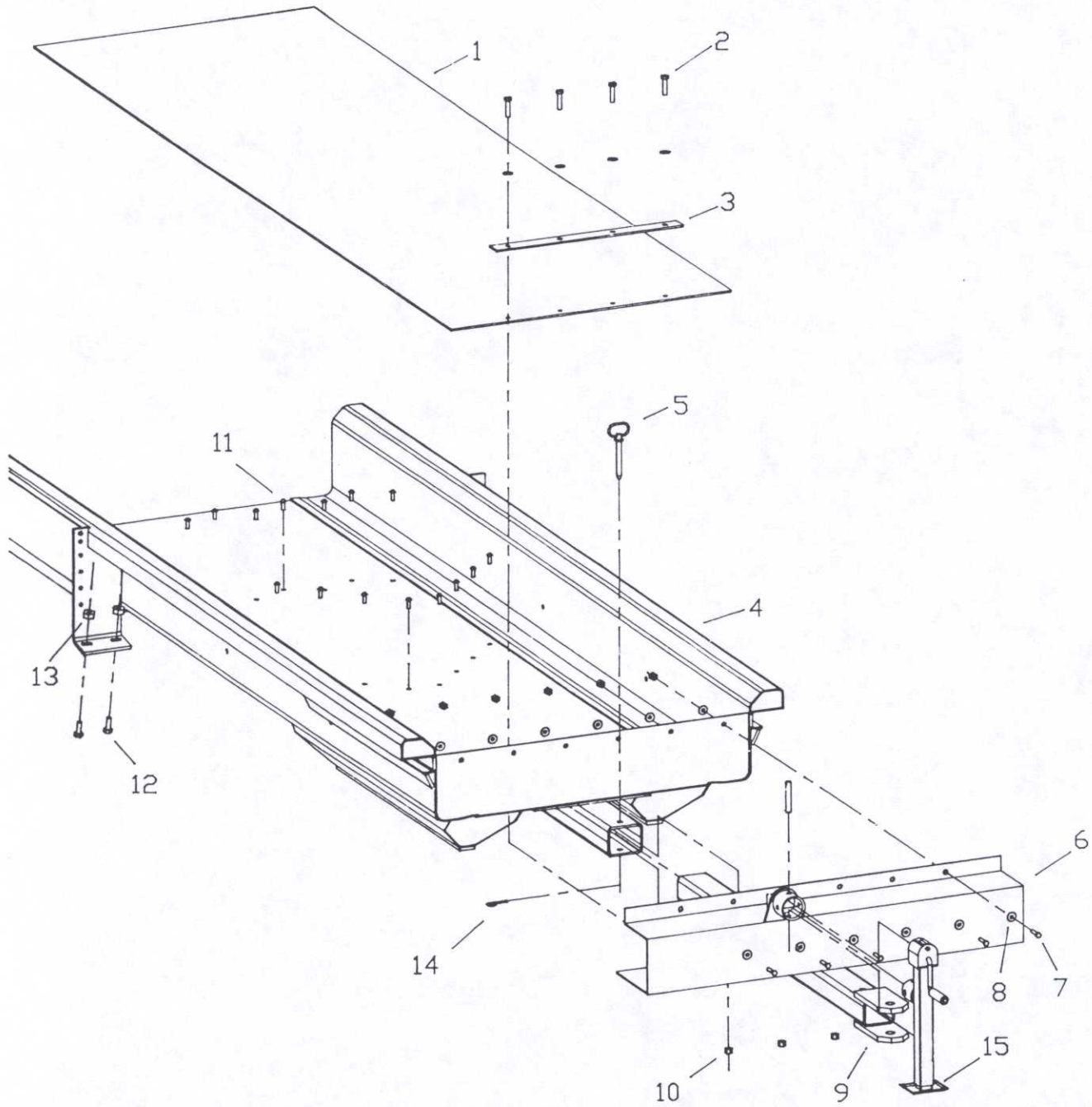
MR5603

KEY	PART NO.	PART NAME	QTY	REMARKS	
	1	1550172	PIN, HITCH	2	5/8 X 6-1/2
	2	1010034	SPINDLE	2	2-1/4 X 14-7/8
	3	1550168	PIN, HAIR COTTER	2	3/16 X 3-3/4
	4	1500377	SEAL, OIL WHEEL HUB	1	CR22368
1510189	5	1510090	BEARING, ROLLER CONE	2	JL69349
1510190	6	1510073	BEARING, ROLLER CUP	1	JL69310
	7	1500182	HUB, WHEEL	2	W887
	8	1510093	BEARING, ROLLER CUP	1	LM67010
1510113	9	1510113	BEARING, ROLLER CONE	1	LM67048
	10	1550228	WASHER, LOCK EXTERNAL TOOTH	2	W06
	11	1550136	NUT, LOCK	2	N06
	12	1500070	CAP, DUST	2	
	13	1500551	TIRE	2	7.5 X 16 LT
	14	1550309	NUT, HUB LUG	12	# 641-2024
	15	1500329	RIM	2	16 LT X 6 6-LUG



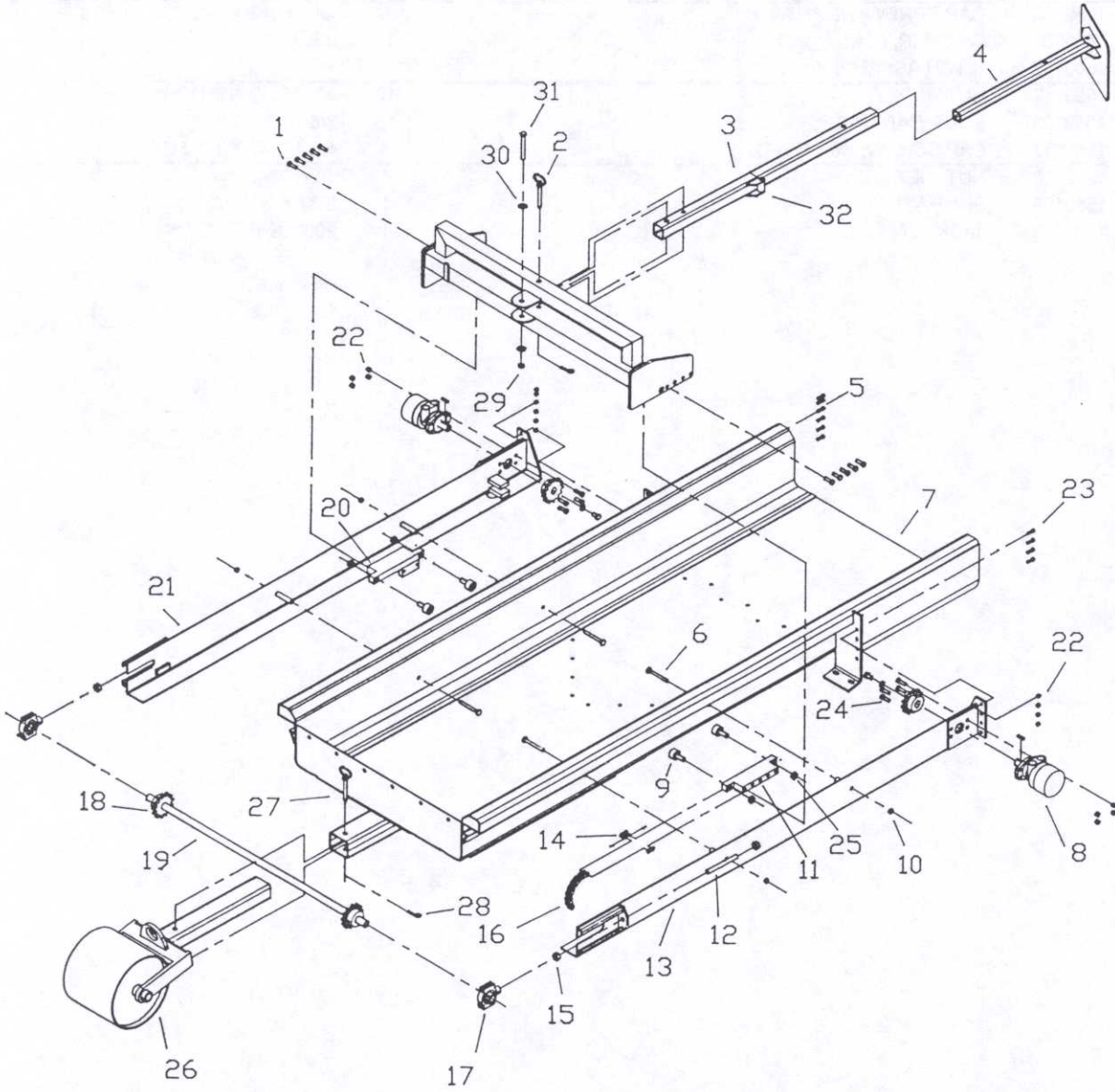
PADDLE GROUP**MR5603**

<i>KEY</i>	<i>PART NO.</i>	<i>PART NAME</i>	<i>QTY</i>	<i>REMARKS</i>
1	5600100	SOCKET, STRETCHER ARM	1	SHORT (NON-VALVE)
2	1550044	CAP SCREW, HEX HEAD	18	3/4-10 NC X 2 G5
3	5600098	SOCKET, STRETCHER ARM	1	TOP
4	5600110	PADDLE, STRETCHER ARM	5	
5	1550045	CAP SCREW, HEX HEAD	2	3/4-10 NC X 2-1/2 G5
6	5600102	SOCKET, STRETCHER ARM	1	SHORT (VALVE)
7	5600101	SOCKET, STRETCHER ARM	2	LONG



BALE PAN GROUP**MR5603**

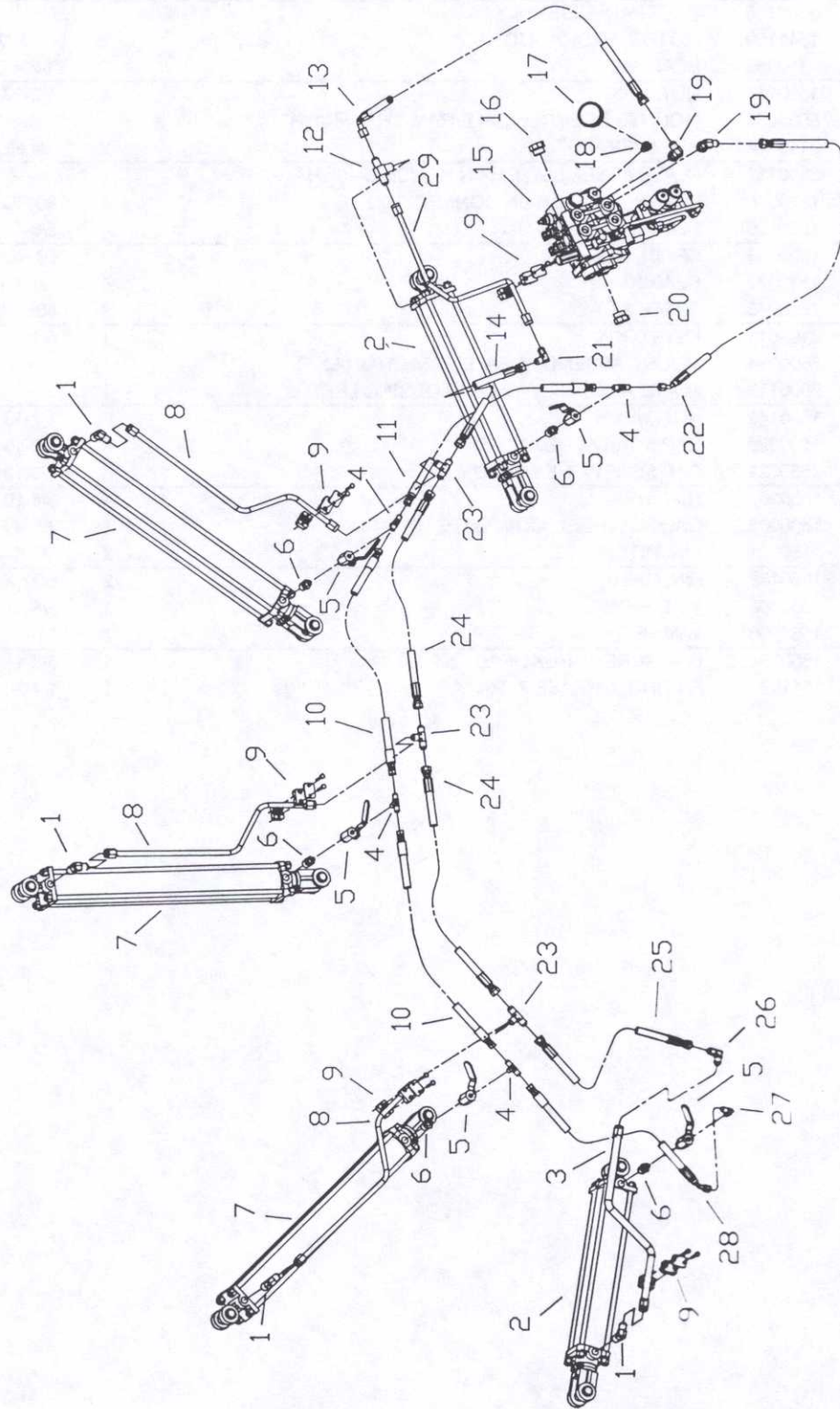
KEY	PART NO.	PART NAME	QTY	REMARKS
1	5600010	UHMW, BALE SLIDE	1	
2	1550060	CAP SCREW, HEX HEAD	4	3/8-16 NC X 2 G5
3	5600093	BRACKET, UHMW HOLDING	1	
4	5600103	BALE PAN	1	
5	1150171	PIN, HITCH	1	5/8 X 4-3/4
6	5600104	BUMPER	1	
7	1550059	CAP SCREW, HEX HEAD	6	3/8-16 NC X 1-1/4 G5
8	1550206	WASHER, FLAT	16	3/8
9	5600105	HITCH ASSEMBLY	1	
10	1550147	NUT, HEX	10	3/8-16 NC NYLOC
11	1550305	BOLT, CARRIAGE	15	3/8-16 NC X 1
12	1550017	CAP SCREW, HEX HEAD	4	1/2-13 NC X 1-1/2 G5
13	1550108	NUT, HEX	4	1/2-13 NC
14	1550169	PIN, HAIR	1	5/32 X 2-15/16
15	1500189	JACK, MANUAL	1	2000LB 10"



BALE RAM GROUP

MR5603

KEY	PART NO.	PART NAME	QTY	REMARKS
1	1550018	CAP SCREW, HEX HEAD	10	1/2-13 NC X 1-1/4 G5
2	1150171	PIN, HITCH	1	5/8 X 4-3/4
3	5600106	TUBE ASSEMBLY, BALE RAM PIVOT/SOCKET	1	
4	5600107	TUBE, BALE RAM EXTENSION	1	
5	1550059	CAP SCREW, HEX HEAD	8	3/8-16 NC X 1-1/4 G5
6	1550317	BOLT, CARRIAGE	4	1/2-13 NC X 1-1/2
7	5600108	BALE PAN ASSEMBLY	1	
8	1541159	MOTOR, HYDRAULIC	2	RE3208040 WHITE
9	1510056	BEARING	2	1-3/4 CAM FOLLOWER
10	1550144	NUT, HEX	4	1/2-13 NC NYLOC JAM
11	5600054	MOUNT ASSEMBLY, BALE RAM CHAIN-RIGHT	1	
12	2113004	ALL THREAD	2	3/4 NC X 7"
13	5600111	PLATE ASSEMBLY, CHAIN HOUSING-RIGHT	1	
14	1520076	LINK, ROLLER CHAIN CONNECTING	4	80 RC
15	1550125	NUT, HEX	4	5/8-11 NC
16	1520366	CHAIN, ROLLER	2	80 RC X 91 PITCH
17	1510077	BEARING	4	1-1/4 TAKE-UP
18	1520245	SPROCKET	2	80BS13 1-1/4 BORE 5/16 KW SS
19	2109011	KEYSTOCK	1	5/16 X 5/16 X 12 CR1018
20	5600054	MOUNT ASSEMBLY, BALE RAM CHAIN-LEFT	1	
21	5600112	PLATE ASSEMBLY, CHAIN HOUSING LEFT	1	
22	1550145	NUT, HEX	16	1/2-13 NC NYLOC
23	1550020	CAP SCREW, HEX HEAD	8	1/2-13 NC X 2 G5
24	1550021	CAP SCREW, HEX HEAD	8	1/2-13 NC X 2-1/2 G5
25	1550307	NUT, HEX	4	3/4-10 NC NYLOC JAM
26	5600005	GAUGE WHEEL, COMPLETE	1	3 X 4 FRAME
27	1150171	PIN, HITCH	2	5/8 X 4-3/4
28	1550169	PIN, HAIR	2	5/32 X 2-15/16
29	1550308	NUT, HEX	1	5/8-11 NC NYLOC JAM
30	1550209	WASHER, FLAT	2	5/8
31	1550091	CAP SCREW, HEX HEAD	1	5/8-11 NC X 5 G5
32	1541625	FITTING, GREASE ZERK	1	1/4-28 NF



STRETCHER ARM HYDRAULIC GROUP

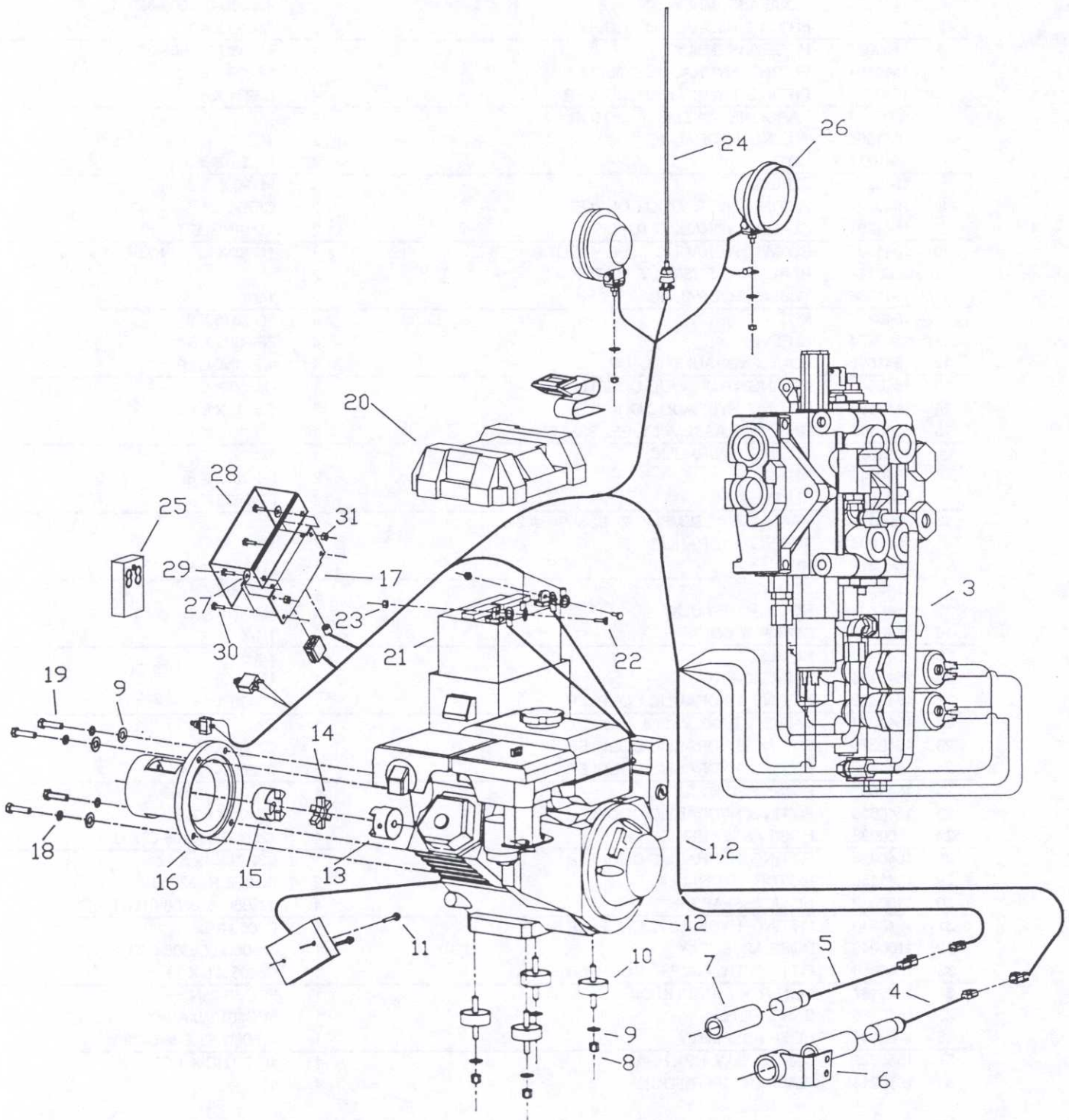
MR5603

KEY	PART NO.	PART NAME	QTY	REMARKS
1	1540659	FITTING, HYDRAULIC COUPLER	4	C5405 X 8 X 8
2	1540101	CYLINDER, HYDRAULIC	2	DB316
3	5600113	HARDLINE ASSEMBLY - RIGHT	1	
	1541068	TUBING, HYDRAULIC	1	1/2
	1540217	NUT	2	FC-2875 X 8
	1540224	SLEEVE	2	FF-9605 X 8
4	1540710	FITTING, HYDRAULIC COUPLER	4	C5605 X 6
5	1541085	VALVE, BALL	5	1/4
6	1540384	FITTING, HYDRAULIC COUPLER	5	C3069 X 8 X 4
7	1540102	CYLINDER, HYDRAULIC	3	DB324 1-1/2 SHAFT
8	5600123	HARDLINE ASSEMBLY - TOP	3	
	1541068	TUBING, HYDRAULIC	1	1/2
	1540217	NUT	2	FC-2875 X 8
	1540224	SLEEVE	2	FF-9605 X 8
9	1541251	CLAMP, HYDRAULIC TUBE	5	1/2 SINGLE T
10	1100027	HOSE ASSEMBLY	2	42506U-606606-03000
11	1100028	HOSE ASSEMBLY	1	42506U-606606-03600
12	1540712	FITTING, HYDRAULIC COUPLER	1	C5605 X 8 X 8 X 8
13	1100030	HOSE ASSEMBLY	1	42506U-668608-01150
14	1100031	HOSE ASSEMBLY	1	42506U-608608-03500
15	1541074	VALVE, 2 BANK W/SOLENOID	1	V20
16	1540348	FITTING, HYDRAULIC COUPLER	1	7237 X 12
17	1500144	GAUGE, HYDRAULIC PRESSURE	1	3000 PSI BACK MOUNT
18	1540448	FITTING, HYDRAULIC COUPLER	1	C3359 X 4
19	1540701	FITTING, HYDRAULIC COUPLER	2	C5515 X 8 X 10
20	1540349	FITTING, HYDRAULIC	1	7237 X 14
21	1540680	FITTING, HYDRAULIC COUPLER	1	C5505 X 8
22	1100032	HOSE ASSEMBLY	1	42506U-686606-03900
23	1540710	FITTING, HYDRAULIC COUPLER	3	C5605 X 6
24	1100033	HOSE ASSEMBLY	2	42506U-608608-03000
25	1100034	HOSE ASSEMBLY	1	42506U-608608-03500
26	1540680	FITTING, HYDRAULIC COUPLER	1	C5505 X 8
27	1540651	FITTING, HYDRAULIC COUPLER	1	C5405 X 6
28	1100035	HOSE ASSEMBLY	1	42506U-606686-03600
29	5600115	HARDLINE ASSEMBLY, LEFT	1	
	1541068	TUBING, HYDRAULIC	1	1/2
	1540217	NUT	2	FC-2875 X 8
	1540224	SLEEVE	2	FF-9605 X 8

PUMP DRIVE HYDRAULIC GROUP

MR5603

KEY	PART NO.	PART NAME	QTY	REMARKS
1	1540701	FITTING, HYDRAULIC COUPLER	1	C5515 X 8 X 10
2	1100036	HOSE ASSEMBLY	1	42508U-608608-05000
3	1540573	FITTING, HYDRAULIC COUPLER	6	C5315 X 8 X 10
4	1100037	HOSE ASSEMBLY	1	42508U-648608-05300
5	1540591	FITTING, HYDRAULIC COUPLER	4	C5325 X 8
6	1540750	FITTING, HYDRAULIC COUPLER	4	C5924 X 8
7	5600116	HARDLINE ASSEMBLY, MOTOR # 2	2	
	1541068	TUBING, HYDRAULIC	2	1/2
	1540217	NUT	4	FC-2875 X 8
	1540224	SLEEVE	4	FF-9605 X 8
8	1540721	FITTING, HYDRAULIC COUPLER	2	C5705 X 8
9	1541251	CLAMP, HYDRAULIC TUBE	2	1/2 SINGLE T
10	1541591	CLAMP, HYDRAULIC TUBE W/OUT BOLTS	2	1/2 SINGLE T NO BOLTS
11	5600117	HARDLINE ASSEMBLY, MOTOR # 1	2	
	1541068	TUBING, HYDRAULIC	2	1/2
	1540217	NUT	4	FC-2875 X 8
	1540224	SLEEVE	4	FF-9605 X 8
12	1541592	BOLT, HYDRAULIC CLAMP	4	1/2 SINGLE P
13	1540546	FITTING, HYDRAULIC COUPLER	1	C5350 X 8
14	1540680	FITTING, HYDRAULIC COUPLER	2	C5505 X 8
15	5600118	HARDLINE ASSEMBLY, PRESSURE # 1	1	
	1541068	TUBING, HYDRAULIC	1	1/2
	1540217	NUT	2	FC-2875 X 8
	1540224	SLEEVE	2	FF-9605 X 8
16	5600119	HARDLINE ASSEMBLY, PRESSURE # 2	1	
	1541068	TUBING, HYDRAULIC	1	1/2
	1540217	NUT	2	FC-2875 X 8
	1540224	SLEEVE	2	FF-9605 X 8
17	1540881	HOSE, HYDRAULIC	1	HO3916 X 21
18	1540049	CLAMP, T-BOLT	2	1-1/2
19	1540941	NIPPLE	1	1 X 3
20	1541113	VALVE, GATE	1	1" 200LB
21	1540452	FITTING, HYDRAULIC COUPLER	1	C3409 X 16
22	1541074	VALVE, 2 BANK W/SOLENOID	1	V20
23	1540375	FITTING, HYDRAULIC COUPLER	1	C3069 X 16
24	1540428	FITTING, HYDRAULIC COUPLER	1	C3269 X 12 X 12
25	1541001	PUMP, HYDRAULIC	1	BARNES 4F663
26	1540659	FITTING, HYDRAULIC COUPLER	1	C5405 X 8 X 8
27	1100038	HOSE ASSEMBLY	1	42508U-668608-03200
28	1540428	FITTING, HYDRAULIC COUPLER	1	C3269 X 12 X 12
29	1541159	MOTOR, HYDRAULIC	2	WHITE RE3208040
30	1100039	HOSE ASSEMBLY	4	42508U-668608-01200
31	1540373	FITTING, HYDRAULIC COUPLER	1	C3069 X 12
32	1100040	HOSE ASSEMBLY	1	42508U-608608-03200
33	1540656	FITTING, HYDRAULIC COUPLER	1	C5405 X 8 X 12
34	1540167	FILTER, HYDRAULIC OIL	1	FPE 30-25N
35	1540166	BASE, FILTER	1	FPC3012NXAR4X
36	1100041	HOSE ASSEMBLY	1	42508U-668608-04700
37	1550027	CAP SCREW, HEX HEAD	4	1/4-20 NC X 1 G5
38	1550214	WASHER, SPLIT LOCK	4	1/4



ELECTRICAL GROUP

MR5603

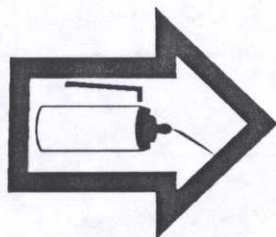
KEY	PART NO.	PART NAME	QTY	REMARKS
1	1501302	HARNESS, W/ANTENNA	1	WIRE 5603 (COMPLETE)
2	1501289	HARNESS, WIRE	1	
3	1541074	VALVE, 2 BANK	1	V-20 W/SOLENOID
4	1501292	SENSOR W/PLUG, PROXIMITY MALE	1	REVERSE
5	1501291	SENSOR W/PLUG, PROXIMITY FEMALE	1	FORWARD
6	1100045	BRACKET, REMOTE CONTROL SOCKET	1	
7	1100021	SOCKET, REMOTE CONTROL SENSOR	2	UHMW
8	1550147	NUT, HEX	4	3/8-16 NC NYLOC
9	1550206	WASHER, FLAT	4	3/8
10	1500918	ISOLATOR	4	3CC07 I HP ENGINE
11	1550304	SCREW, SELF-TAPPING	2	# 14 X 1-1/2
12	1501078	ENGINE, HONDA	1	GX240K12AE2
13	1500671	COUPLER, JAW	1	L-095 1"
14	1500872	SPIDER, VERATHANE	1	SRL 090/95
15	1500871	COUPLER, JAW	1	ML095 X 1/2
16	1500915	ADAPTER, PUMP	1	3032
17	1501218	RECEIVER, REMOTE CONTROL	1	K4A001
18	1550217	WASHER, SPLIT LOCK	4	3/8
19	1550058	CAP SCREW, HEX HEAD	4	3/8-16 NC X 1-1/2 G5
20	1500976	BOX, GARDEN TRACTOR BATTERY W/LID	1	9082-1
21	1500013	BATTERY, GARDEN TRACTOR	1	12 VOLT
22	1550033	CAP SCREW, HEX HEAD	2	1/4-20 NC X 3/4 G5
23	1550110	NUT, HEX	2	1/4-20 NC
24	1501287	ANTENNA, REMOTE CONTROL - RIGID	1	
25	1501286	REMOTE CONTROL, HAND UNIT	1	
26	1500253	LIGHT, SPOT	2	3 AMP 12 VOLT
27	1550204	WASHER, FLAT	2	1/4
28	5600120	SHIELD, HEAT	1	REMOTE CONTROL
29	1550318	CAP SCREW, HEX HEAD	2	1/4-20 NC X 1-1/4
30	1550027	CAP SCREW, HEX HEAD	2	1/4-20 NC X 1 G5
31	1550127	NUT, HEX	2	1/4-20 NC NYLOC



1



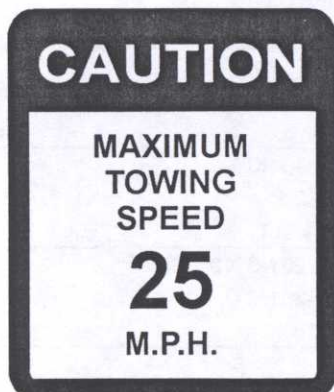
2



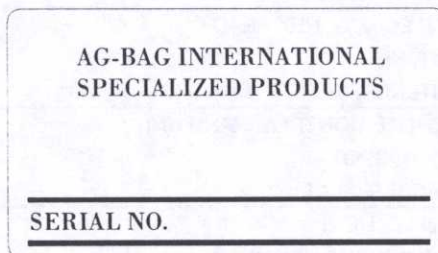
3



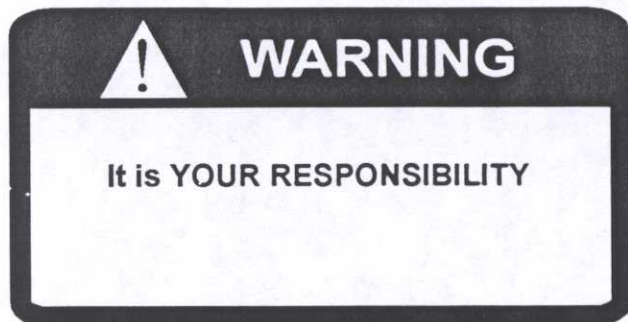
4



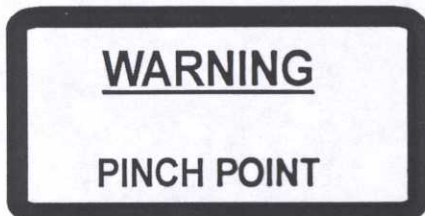
5



6



7



8

DECAL GROUP**MR5603**

<i>KEY</i>	<i>PART NO</i>	<i>PART NAME</i>	<i>QTY</i>	<i>REMARKS</i>
1	1530011	DECAL, LUG NUTS	2	
2	1530018	DECAL, FLEX A TUBER	2	
3	1530023	DECAL, GREASE ZERK	9	
4	1530028	DECAL, HYDRAULIC OIL ONLY	1	
5	1530041	DECAL, TOWING SPEED	1	
6	1530075	SERIAL PLATE, SPECIALIZED AG INTL	1	
7	1530069	DECAL, WARNING RESPONSIBILITY	1	
8	1530070	DECAL, WARNING PINCH POINT	2	