

MILLER

AG-BAG®

PARTS BOOK SUPPLEMENT

MODELS: PB6000, G6060, G6070
(Units Built Prior To 2005)

42.0900897

This parts book is furnished for your convenience only. All parts must be purchased through an authorized dealer. Call us for a dealer near you.



P O Box 127
511 East Main St.
St. Nazianz, WI 54232
(920) 773-2121

Issue Date: 8/06

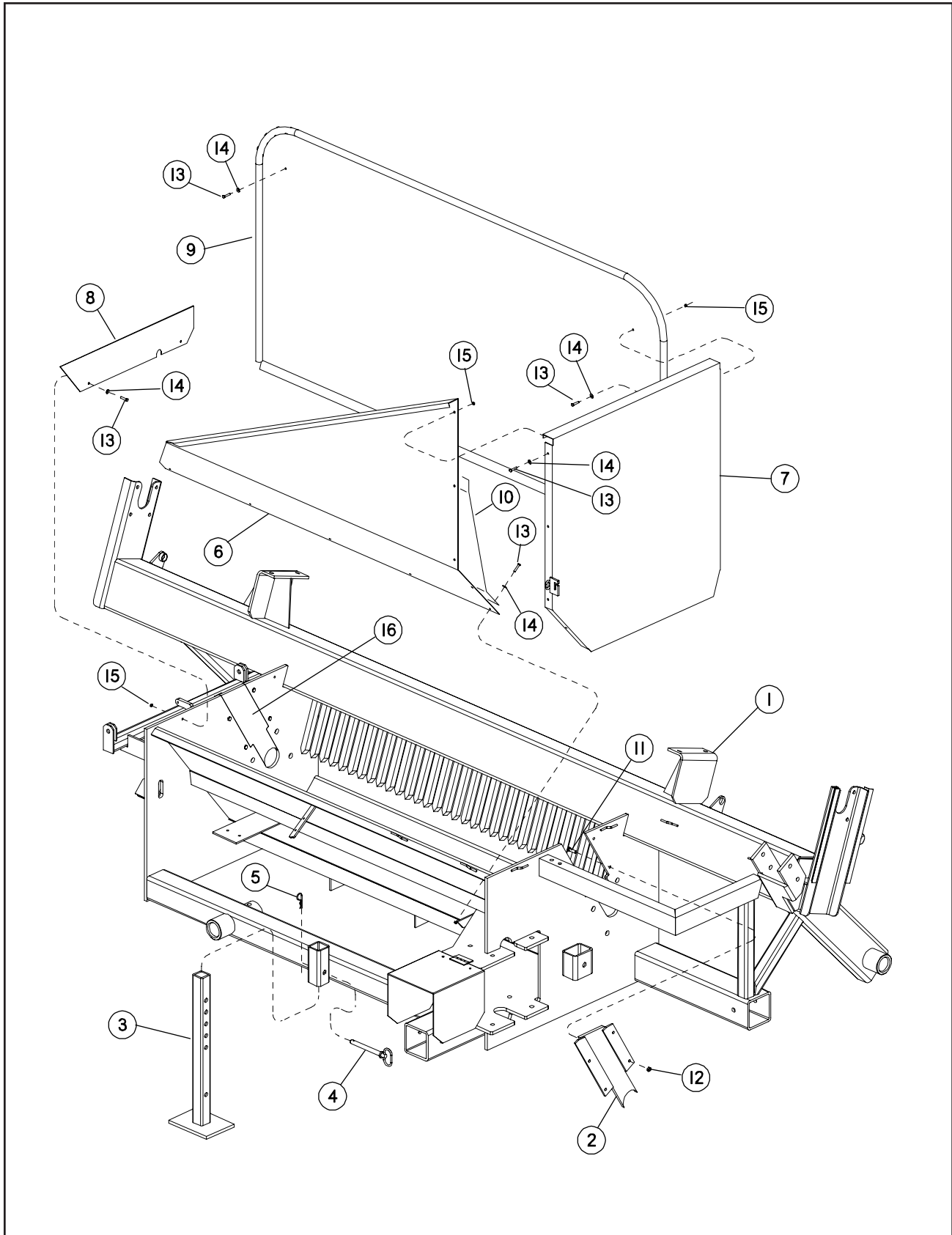


Ag Bag PB6000, G6060, G6070

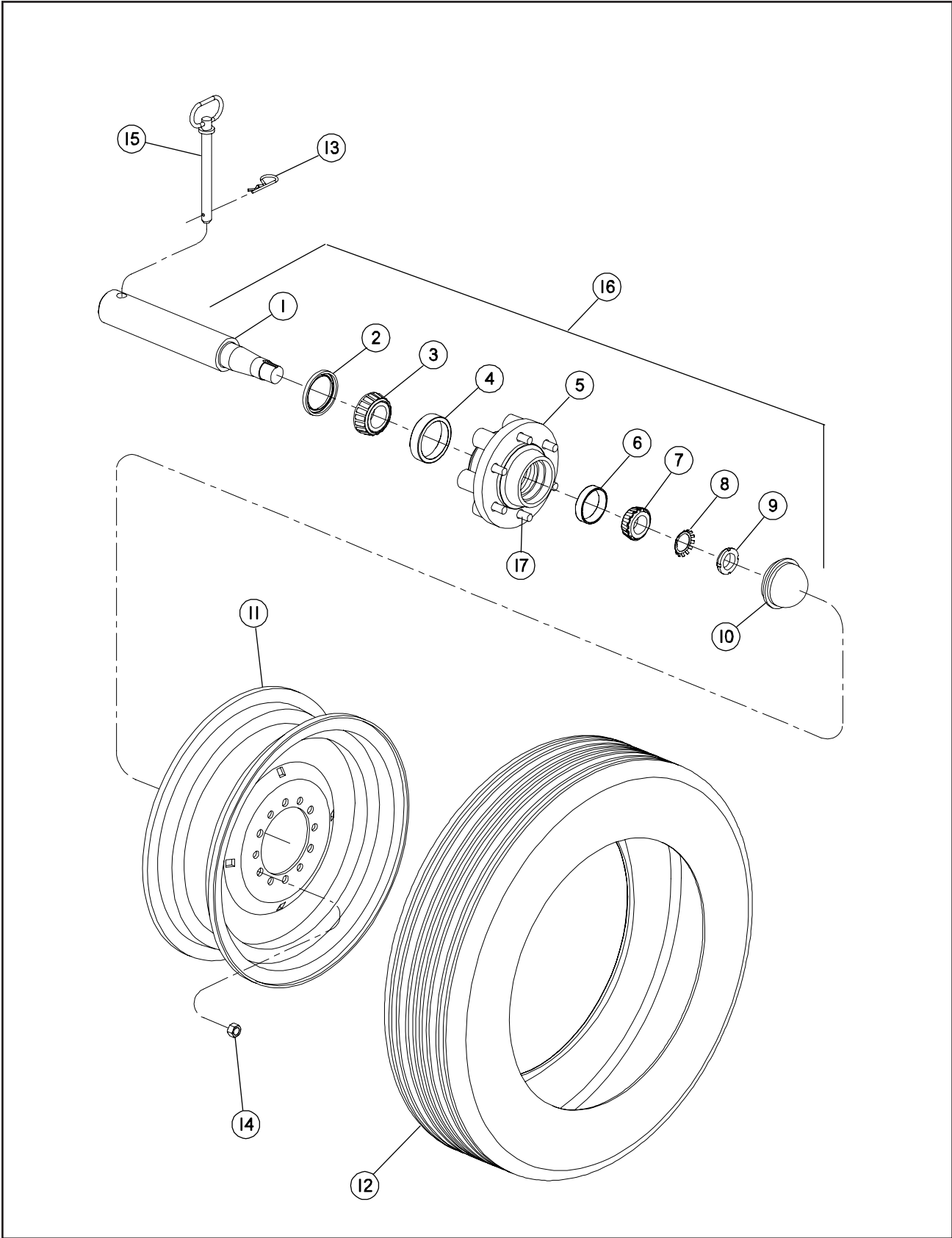
Contents

	Pages
Frame	2
Frame Parts List	3
Wheels	4
Wheels Parts List	5
Rotor	6
Rotor Parts List	7
Cable Drum	8
Cable Drum Parts List	9
Tunnel with Bag Boom Option	10
Tunnel with Bag Boom Option Parts List	11
Tunnel Interchangeable Hood with Bag Boom Option	12, 14
Tunnel Interchangeable Hood with Bag Boom Option Parts List	13, 15
Standard Conveyor	16, 18
Standard Conveyor Parts List	17, 19
Split Conveyor	20
Split Conveyor Parts List	21
Backstop	22
Backstop Parts List	23
Hydraulics - PB6000 & G6060A	24
Hydraulics - PB6000 & G6060A Parts List	25
Hydraulics Package Option - G6060B & G6070B	26
Hydraulics Package Option - G6060B & G6070B Parts List	27
Hydraulics Package Option - G6060C	28, 30
Hydraulics Package Option - G6060C Parts List	29, 31
Hydraulics Package Option - G6070C	32, 34
Hydraulics Package Option - G6070C Parts List	33, 35
Hydraulic Conveyor Lift - G6060 & G6070	36
Hydraulic Conveyor Lift - G6060 & G6070 Parts List	37
Single Cable Drum Brake Assembly	38
Single Cable Drum Brake Assembly Parts List	39
Double Cable Drum Brake Assembly	40
Double Cable Drum Brake Assembly Parts List	41
Gandy	42
Gandy Parts List	43
Guards, Hitch, PTO & Miscellaneous Items	44
Guards, Hitch, PTO & Miscellaneous Items Parts List	45
Decals	46 thru 52
Decals Parts List	47 thru 53
Gearbox - Dual Output (G6060 & G6070)	54
Gearbox - Dual Output (G6060 & G6070) Parts List	55
Gearbox - Single Output (PB6000)	56
Gearbox - Single Output (PB6000) Parts List	57
Part Number Index	58

Frame



Wheels

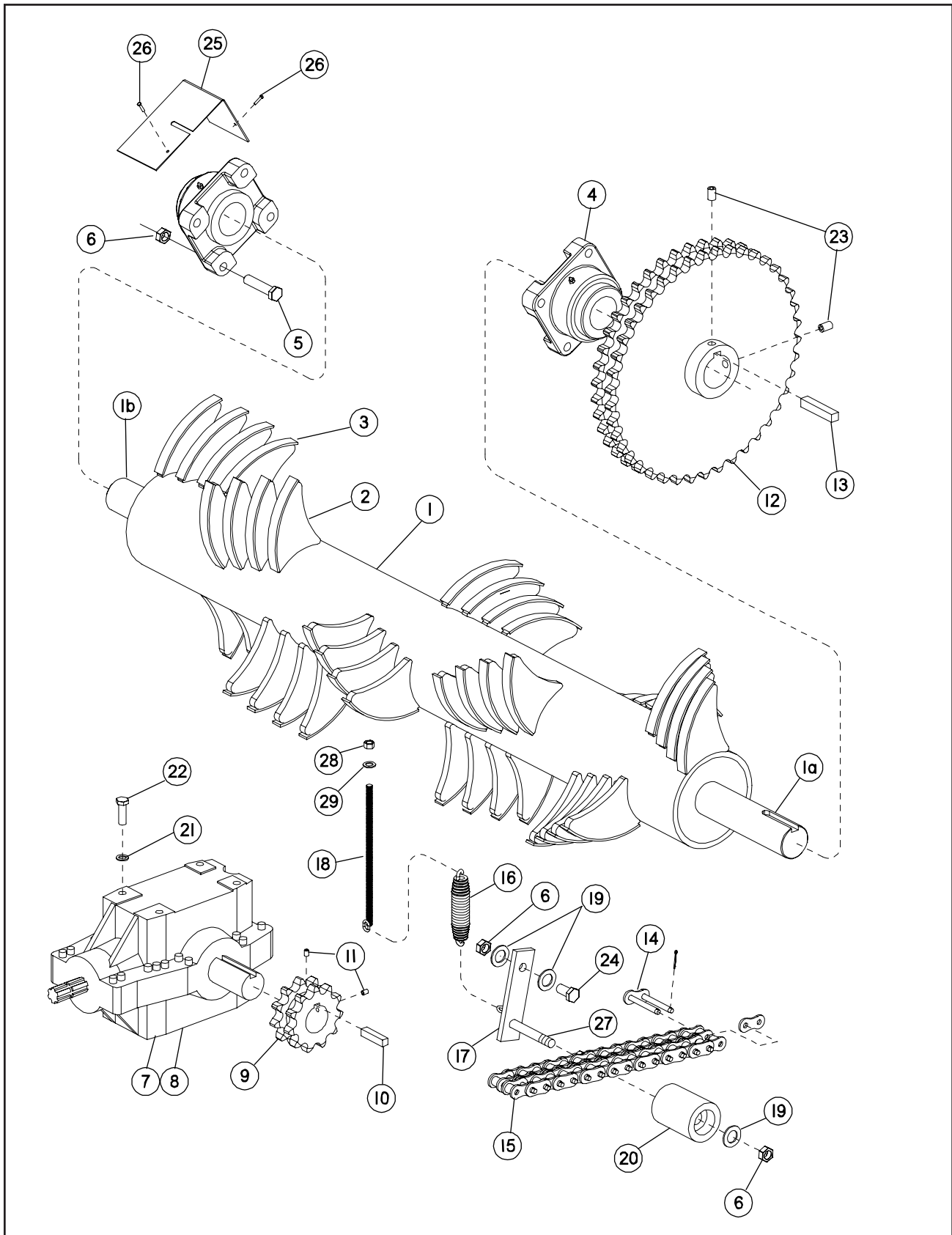




Wheels Parts List

Item	Part No.	Quantity	Description
1	42.1010034	2	Spindle (Used On G6060 & G6070 Only)
	42.1502063	2	Spindle - Weld In (Used On PB6000 Only)
2	42.1500377	2	Seal, Oil
3	901150	2	Bearing, Roller Cone - Inner
4	901151	2	Bearing, Roller Cup - Inner
5	42.1500182	2	Hub, Wheel without Washer, Nut & Spindle
6	901182	2	Bearing, Roller Cup - Outer
7	901181	2	Bearing, Roller Cone - Outer
8	42.1550228	2	Washer, Lock, External Tooth
9	42.1550136	2	Nut, Lock
10	902410	2	Cap, Dust
11	42.1500329	2	Rim, 16 x 6 (Used On G6060 Only)
	42.0900165	2	Wheel, 16 x 8 (Used On G6070 Only)
	42.0900181	2	Wheel, 15 x 6 (Used On PB6000 Only)
12	42.0900190	2	Tire, 9.5L x 15 Farm Implement (Used On PB6000 Only)
	42.0900191	2	Tire, 235/85R16 (Used On G6060 Only)
	42.0900192	2	Tire, 265/75R16 (Used On G6070 Only)
	05.73120	2	Pin, Hair
14	42.1550309	12	Nut, Lug, 1/2-20
	905050	12	Nut, Lug, 9/16-18
15	42.1150171	2	Pin, Hitch (Used On G6060 & G6070 Only)
16	42.1501374	2	Hub, Wheel With Spindle Complete (Used On G6060 & G6070 Only)
	42.1502069	2	Hub, Wheel With Spindle Complete (Used On PB6000 Only)
17	42.1550428	12	Bolt, Stud, 1/2-20 (2-1/8" Drive In)
	907757	12	Bolt, Stud, 9/16-18 (2-1/8" Drive In)

Rotor

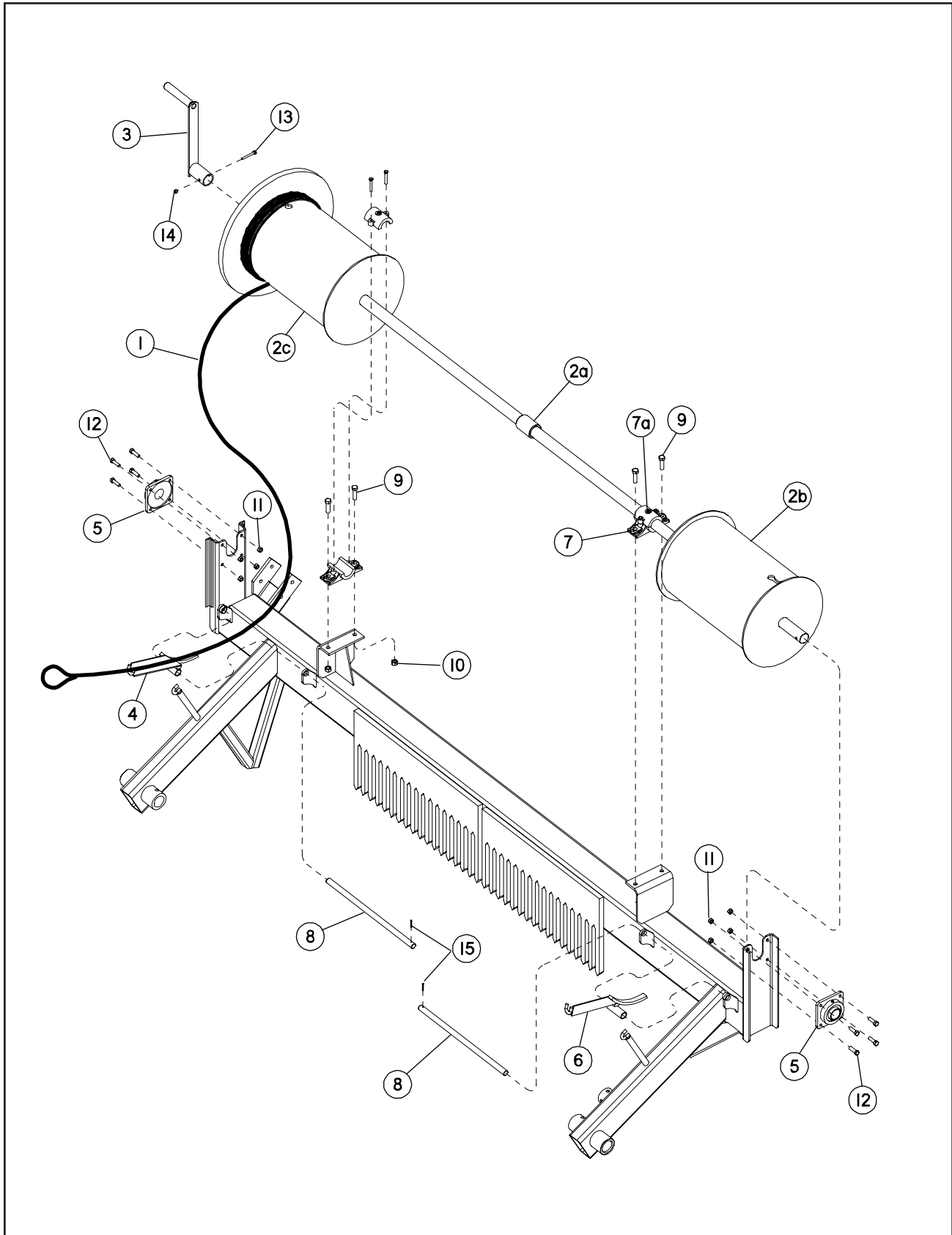




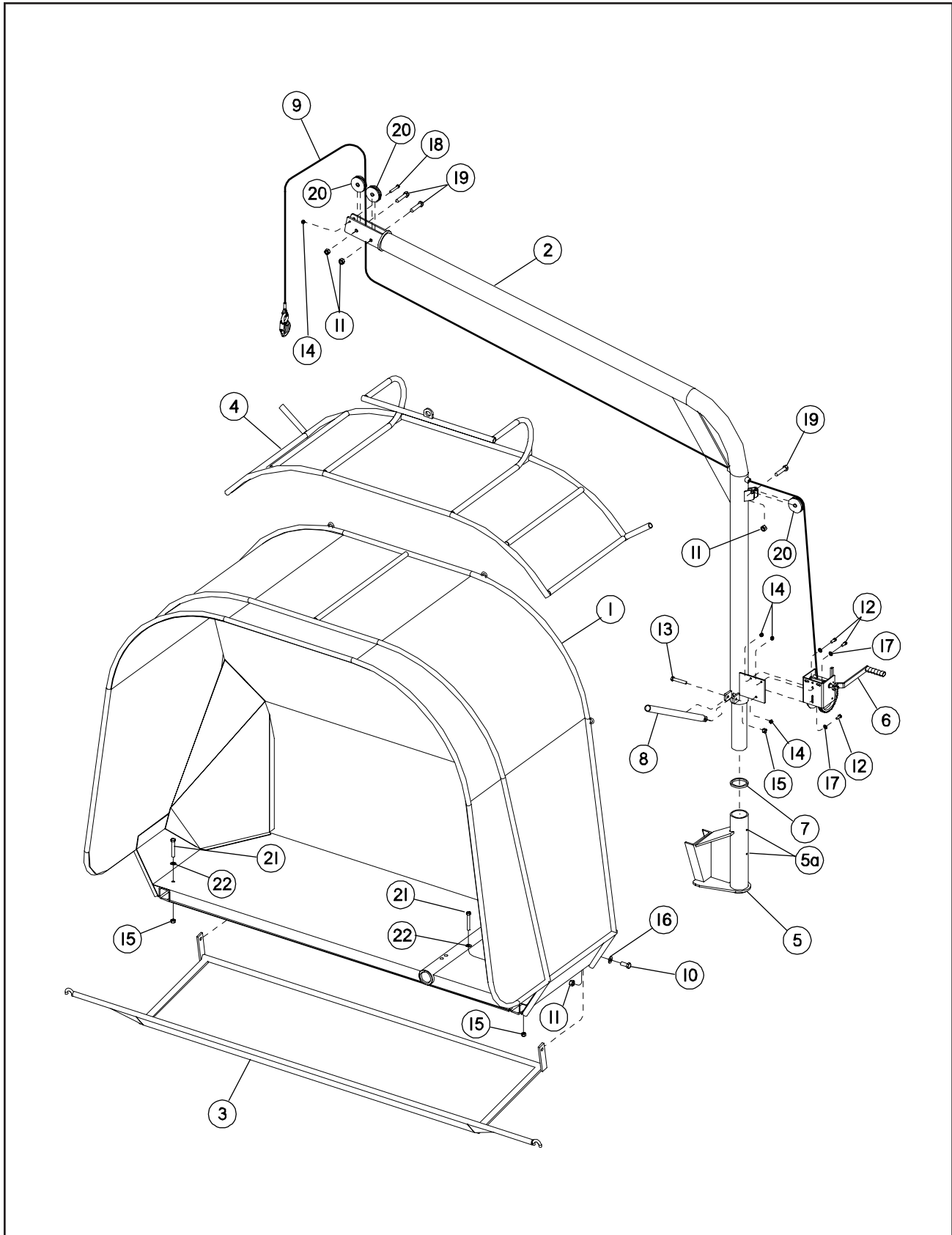
Rotor Parts List

Item	Part No.	Quantity	Description
1	42.6002033	1	Rotor, Without Teeth (Used On G6070 Only)
	42.6002019	1	Rotor, Without Teeth (Used On G6060 & PB6000 Only)
1a	42.6002005	1	Shaft, Stub Drive - Weld In, 3/4" Keyway (Included With Item 1) (Used On G6060 & PB6000 Only)
	42.6002039	1	Shaft, Stub Drive - Weld In, 7/8" Keyway (Included With Item 1) (Used On G6070 Only)
1b	42.6002008	1	Shaft, Stub Idle - Weld In (Included With Item 1) (Used On G6070, G6060 & PB6000)
2	42.1020018	48	Tooth, Rotor With Tine Cap (Used On G6060 Only)
	42.1020018	56	Tooth, Rotor With Tine Cap (Used On G6070 Only)
	42.1020018	36	Tooth, Rotor With Tine Cap (Used On PB6000 Only)
3	42.1020001	48	Cap, Tine (Used On G6060 Only)
	42.1020001	56	Cap, Tine (Used On G6070 Only)
	42.1020001	36	Cap, Tine (Used On PB6000 Only)
4	42.0900371	2	Bearing, 4 Bolt Footed (Idle End All, Drive End PB6000 & G6060)
	42.0900581	1	Bearing, 4 Bolt Footed Taperlock (Drive End G6070)
5	904215	8	Capscrew, Hex Hd. 3/4-10 x 3-1/2" Gr 5
6	906349	8	Nut, Hex Lock, 3/4-10 Nylock
7	42.1520051	1	Gear Box (Used On PB6000 Only)
8	42.1520814	1	Gear Box - Dual Output (Used On G6060 & G6070 Only)
9	42.1520664	1	Sprocket
10	42.6002002	1	Key, 5/8 x 2-3/4"
11	907777	2	Setscrew, 5/8-11 x 5/8"
12	42.1520756	1	Sprocket (Used On G6070 Only)
	42.1520124	1	Sprocket (Used On G6060 & PB6000 Only)
13	907688	1	Key, 7/8 x 7/8 x 4" (Used On G6070 Only)
	42.4070028	1	Key, 3/4 x 3/4 x 4" (Used On G6060 & PB6000 Only)
14	42.1520068	1	Link, Roller Chain Connecting
	42.1520086	AR	Link, Offset, #120-2
15	42.1520757	1	Chain, Roller (Used On G6070 Only)
	42.1520005	1	Chain, Roller (Used On G6060 & PB6000 Only)
16	42.1500483	1	Spring
17	42.0900056	1	Support, Chain Tensioner Lever
18	42.0900174	1	Adjuster, Rotor Chain Tensioner
19	900499	3	Washer, Flat, 3/4"
20	42.6002007	1	Tensioner, Rotor Chain
21	900508	8	Washer, Lock, 5/8"
22	904253	8	Capscrew, Hex Hd. 5/8-11 x 2" Gr 5
23	907725	2	Setscrew, 3/4-10 x 3/4"
24	09.71756	1	Capscrew, Hex Hd. 3/4-10 x 3" Gr 5
25	42.6002028	1	Cover, Rotor Idler Bearing (Used On G6060 & G6070 Only)
26	907120	2	Screw, Self Tapping, 1/4-14 x 1"
27	906339	1	Capscrew, Hex Hd. 3/4-10 x 5-1/2" Gr 5
28	900369	2	Nut, Hex, 1/2-13
29	900497	2	Washer, Flat, 1/2"
	42.1502166	1	Whip, Grease - Whip 21" Drive End (Not Shown)
	42.1501518	1	Whip, Grease - Whip 28" Idler End (Not Shown)
	905501	2	Grease Zerk, 1/8 NPT Female (Not Shown)
	900496	4	Washer, Flat, 7/16" (Not Shown)

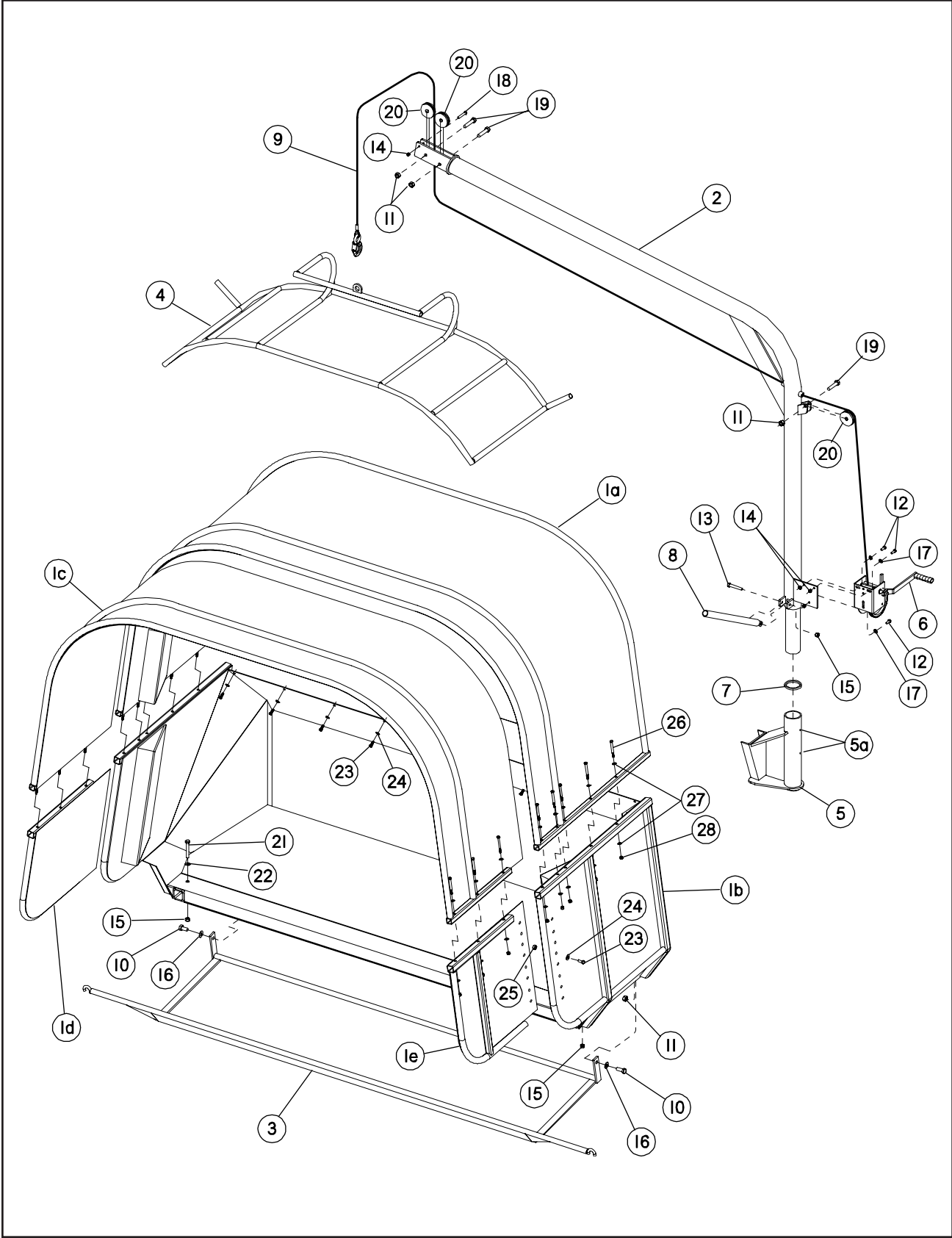
Cable Drum



Tunnel with Bag Boom Option



Tunnel Interchangeable Hood with Bag Boom Option

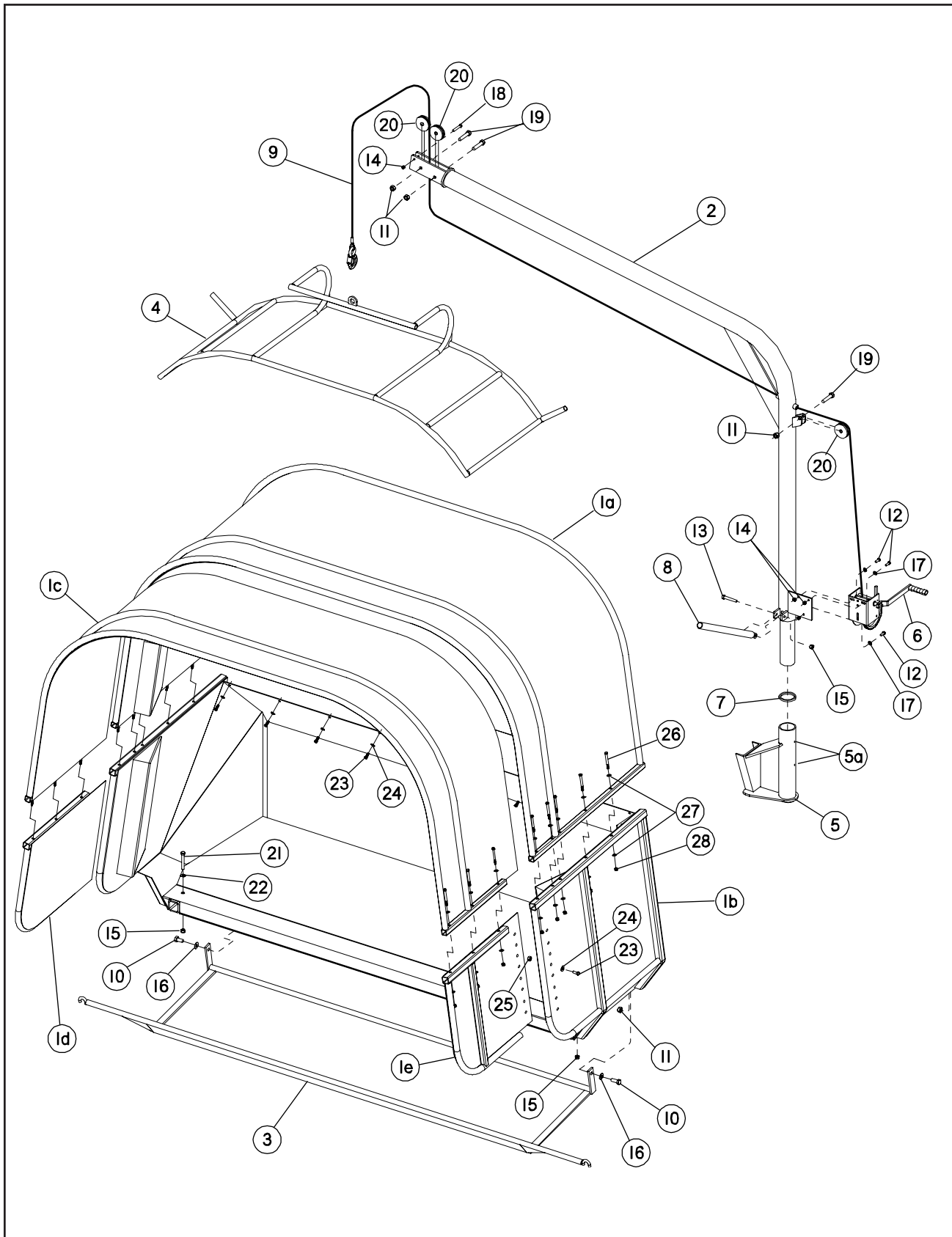




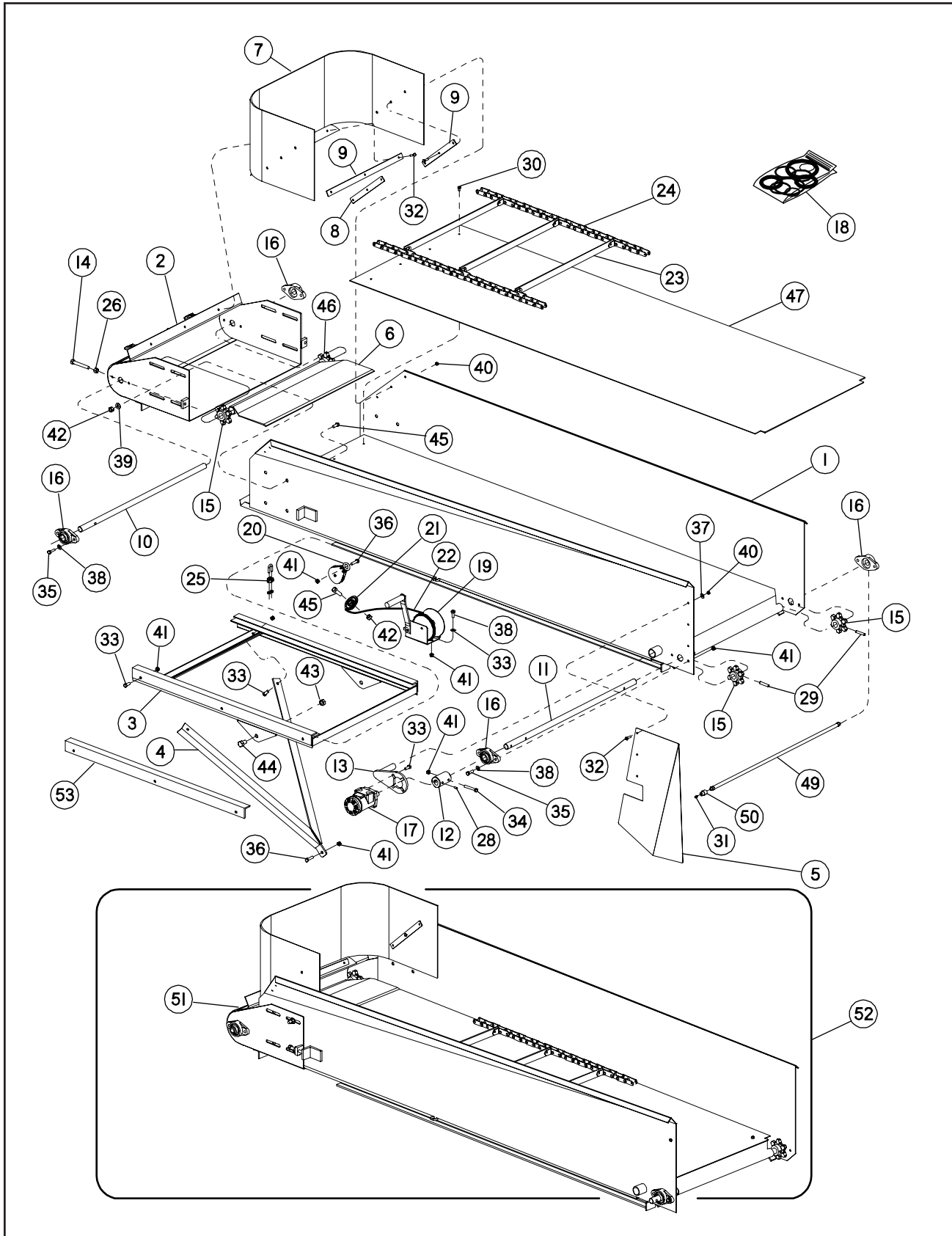
Tunnel Interchangeable Hood with Bag Boom Option Parts List

Item	Part No.	Quantity	Description
1a	42.6006071	1	Tunnel Hood, 8' (Used On G6060 Only)
	42.6006072	1	Tunnel Hood, 9' (Used On G6060 Only)
	42.6006074	1	Tunnel Hood, 9' (Used On G6070 Only)
	42.6006075	1	Tunnel Hood, 10' (Used On G6070 Only)
1b	42.6006070	1	Tunnel Base (Used On G6060 Only)
	42.6006073	1	Tunnel Base (Used On G6070 Only)
1c	42.6006076	1	Tunnel Extension, 8' x 18" (Used On G6060 Only)
	42.6006077	1	Tunnel Extension, 8' x 29" (Used On G6060 Only)
	42.6006078	1	Tunnel Extension, 9' x 18" (Used On G6060 Only)
	42.6006079	1	Tunnel Extension, 9' x 29" (Used On G6060 Only)
	42.6006080	1	Tunnel Extension, 10' x 18" (Used On G6070 Only)
	42.6006081	1	Tunnel Extension, 10' x 29" (Used On G6070 Only)
	42.6006084	1	Tunnel Extension, 9' x 18" (Used On G6070 Only)
	42.6006085	1	Tunnel Extension, 9' x 29" (Used On G6070 Only)
1d	42.6006113	1	Tunnel Extension Base, 29" - LH (Used On G6060 & G6070 Only)
	42.6006115	1	Tunnel Extension Base, 18" - LH (Used On G6060 & G6070 Only)
1e	42.6006114	1	Tunnel Extension Base, 29" - RH (Used On G6060 & G6070 Only)
	42.6006116	1	Tunnel Extension Base, 18" - RH (Used On G6060 & G6070 Only)
	42.6006087	Set	Tunnel Extension Base, 29" (Used On G6060 & G6070 Only)
	42.6006086	Set	Tunnel Extension Base, 18" (Used On G6060 & G6070 Only)
2	42.6006001	1	Bag Boom Frame, 8' & 9' (Used On G6060 & PB6000 Only)
	42.6006000	1	Bag Boom Frame, 10' (Used On G6070 Only)
3	42.6006005	1	Pan, Bag, 8' & 9' (Used On G6060 & PB6000 Only)
	42.6006037	1	Pan, Bag, 10' (Used On G6070 Only)
4	42.6006012	1	Cradle, Bag Boom, 8' & 9' (Used On G6060 & PB6000 Only)
	42.6006089	1	Cradle, Bag Boom, 10' (Used On G6070 Only)
	42.6006088	1	Cradle, Bag Boom, 9' (Used On G6070 Only)
5	42.6006006	1	Socket, Bag Boom
5a	42.1541638	2	Fitting, Grease
6	42.1500602	NLA	Winch, Manual Order 42.0900397
7	42.1060039	1	Spacer, Bag Boom, Bronze
8	42.1060085	1	Bar, Bag Boom Turn
9	42.1501691	1	Cable With Hook
10	901619	2	Capscrew, Hex Hd. 5/8-11 x 1-1/2" Gr 5
11	906402	4	Nut, Hex Lock, 5/8-11 Nylock
12	902300	3	Capscrew, Hex Hd. 3/8-16 x 1" Gr 5
13	902675	1	Capscrew, Hex Hd. 1/2-13 x 3" Gr 5
14	906400	4	Nut, Hex Lock, 3/8-16 Nylock
15	906401	3	Nut, Hex Lock, 1/2-13 Nylock
16	900498	2	Washer, Flat, 5/8"
17	900495	3	Washer, Flat, 3/8"
18	902884	1	Capscrew, Hex Hd. 3/8-16 x 2-1/2" Gr 5
19	903849	2	Capscrew, Hex Hd. 5/8-11 x 3" gr 5
20	42.1060036	3	Pulley, Bag Boom
21	903855	2	Capscrew, Hex Hd. 1/2-13 x 3-1/2" Gr 5
22	901937	2	Washer, Flat, 1/2"

Tunnel Interchangeable Hood with Bag Boom Option (continued)



Standard Conveyor

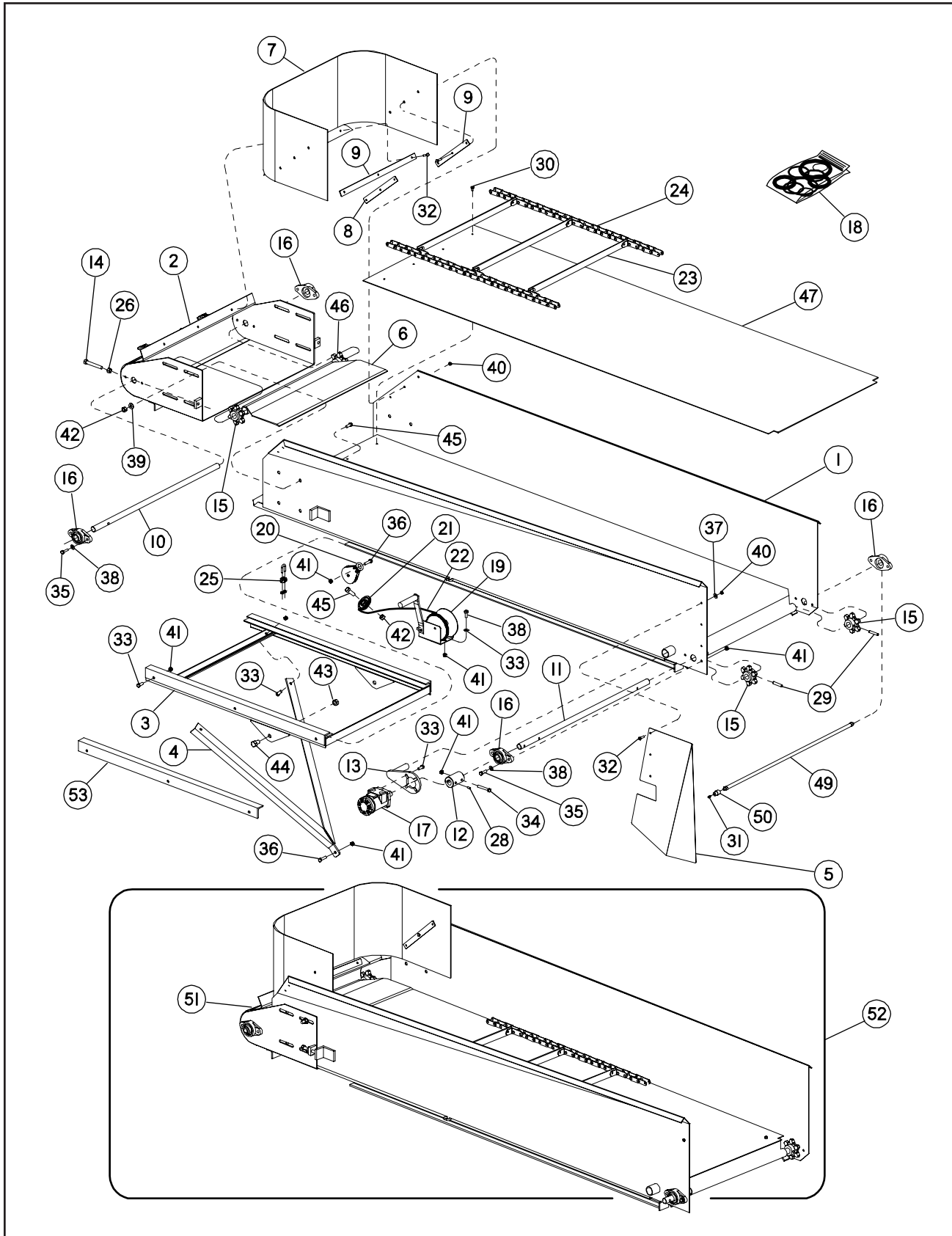




Standard Conveyor Parts List

Item	Part No.	Quantity	Description
1	42.6008001	1	Conveyor, Frame (Used On G6060 & PB6000 Only)
2	42.6008024	1	Conveyor End, Adjusting (Used On G6060 & PB6000 Only)
	904520	2	Rubber Latch, 3" (Used On G6060 & PB6000 Only)
	42.1501318	2	Rubber Latch, 5" (Used On G6060 & PB6000 Only)
3	42.6008007	1	Frame, Conveyor Track H (Used On G6060 & PB6000 Only)
4	42.6008006	1	Stabilizer, Conveyor Angle Adj. (Used On G6060 & PB6000 Only)
5	42.6008013	1	Plate, Conveyor End Deflector (Used On G6060 & PB6000 Only)
6	42.6008027	1	Guard, Conveyor Tail Shaft (Used On G6060 & PB6000 Only)
7	42.6008052	1	Skirt, Conveyor (Used On G6060 & PB6000 Only)
8	42.6008020	1	Strip, Conveyor Skirting Center (Used On G6060 & PB6000 Only)
9	42.6008021	2	Bracket, Skirting - Small (Used On G6060 & PB6000 Only)
10	42.6008093	1	Shaft, Conveyor Idle (Used On G6060 & PB6000 Only)
11	42.6008092	1	Shaft, Conveyor Drive (Used On G6060 & PB6000 Only)
12	42.6008004	1	Coupler, Conveyor Motor (Used On G6060 & PB6000 Only)
13	42.6008011	1	Mount, Hydraulic Motor (Used On G6060 & PB6000 Only)
14	904674	2	Capscrew, Hex Hd. 1/2-13 x 6"
15	42.1520773	3	Sprocket, Drive (Used On G6060 & PB6000 Only)
16	42.6008088	4	Bearing, 2 Bolt Flange (Used On G6060 & PB6000 Only)
	42.1510020	AR	Bearing, 1" - 2 Bolt Flange
17	42.1540898	1	Motor, Hydraulic, 101-1019-009, 5.9 cu. in. (G6060 & PB6000 Only)
	42.1541780	1	Motor, Hydraulic, 101-1751-009, 7.3 cu. in. (G6060 & G6070 Only)
18	16.21179	1	Seal Kit, H-Series (For Item 17)
19	42.1501521	NLA	Winch, Manual (G6060 & PB6000 Only) Order 42.0900397
20	42.1501314	1	Pulley, Swivel (Used On G6060 & PB6000 Only)
21	42.1501279	1	Pulley (Used On G6060 & PB6000 Only)
22	42.0900554	1	Cable, 1/4" x 17 Ft. (Used On G6060 & PB6000 Only)
23	42.6008018	17	Slat, Conveyor Chain (Used On G6060 & PB6000 Only)
24	42.1520318	1	Chain, Conveyor Complete (Used On G6060 & PB6000 Only)
	900703	AR	Link, CA550 Connector
	900709	AR	Link, CA550 Offset
25	42.1590024	2	Clamp, Cable (Used On G6060 & PB6000 Only)
26	900369	2	Nut, Hex, 1/2-13
28	900444	1	Setscrew, Hex Socket, 3/8-16 x 3/8" (G6060 & PB6000 Only)
29	09.72010	2	Pin, Roll, 3/8 x 2" (Used On G6060 & PB6000 Only)
30	902364	4	Capscrew, Hex Hd. 5/16-18 x 3/4" Gr 5
31	900537	2	Fitting, Grease (Used On G6060 & PB6000 Only)
32	903033	12	Capscrew, Hex Hd. 1/4-20 x 1" Gr 5
33	902300	8	Capscrew, Hex Hd. 3/8-16 x 1" Gr 5
34	902884	1	Capscrew, Hex Hd. 3/8-16 x 2-1/2" Gr 5
35	902367	8	Capscrew, Hex Hd. 3/8-16 x 1-1/4" Gr 5
36	903848	2	Capscrew, Hex Hd. 3/8-16 x 1-1/2" Gr 5
37	900493	12	Washer, Flat, 1/4"
38	900495	8	Washer, Flat, 3/8"
39	901937	8	Washer, Flat, 1/2"
40	904092	12	Nut, Hex Lock, 1/4-20
41	906400	19	Nut, Hex Lock, 3/8-16
42	906401	9	Nut, Hex Lock, 1/2-13
43	906402	2	Nut, Hex Lock, 5/8-11 Nylock

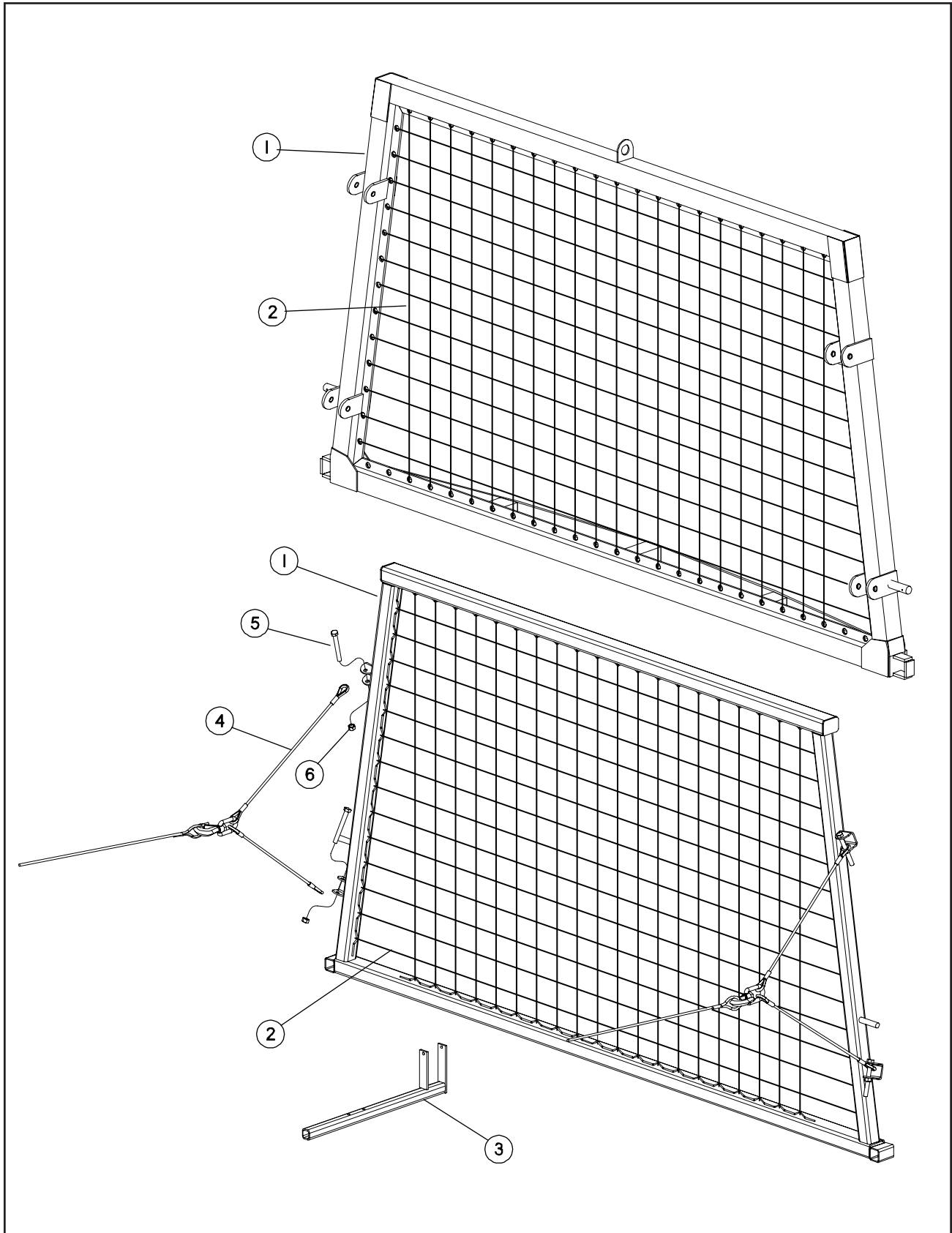
Standard Conveyor (continued)



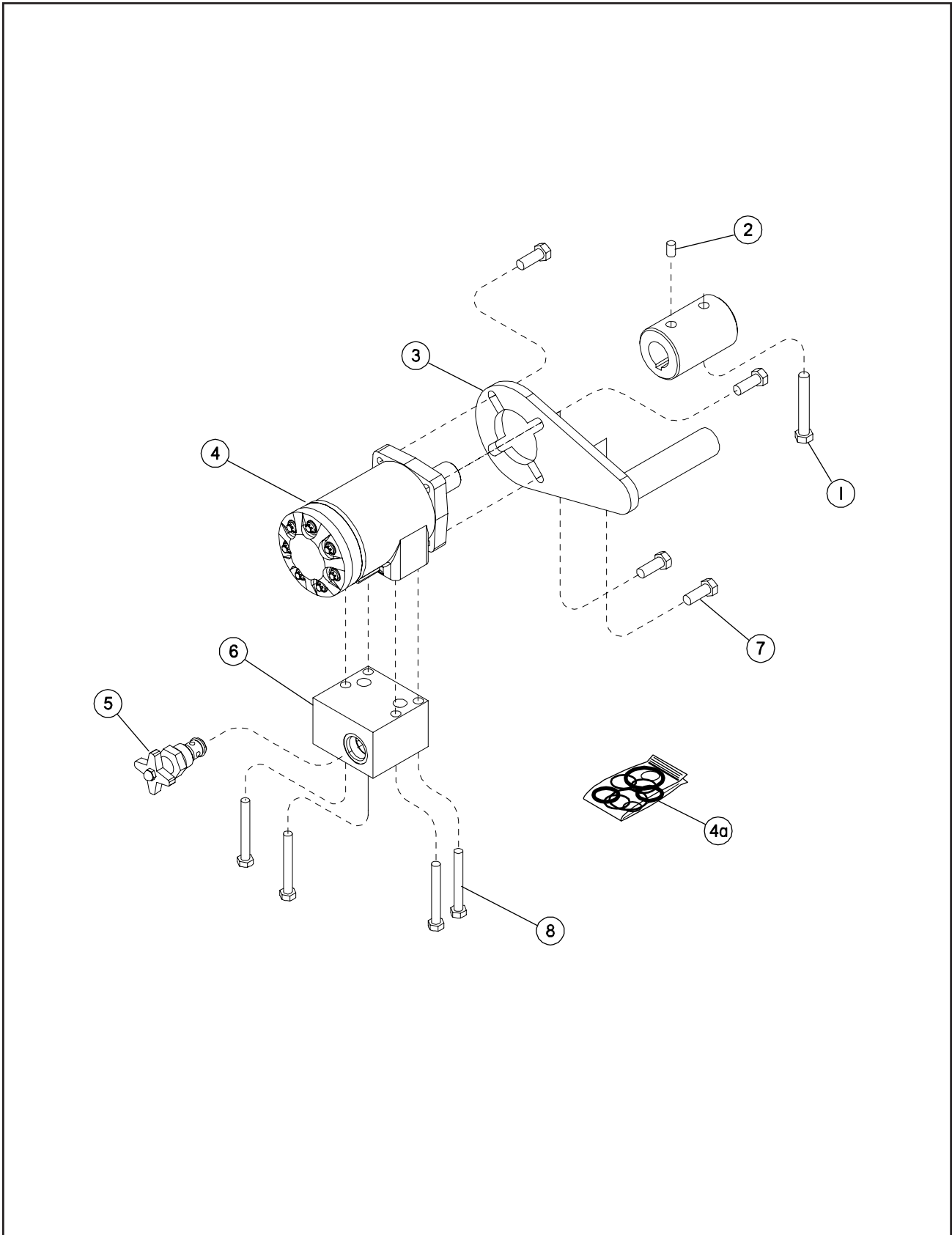
Split Conveyor Parts List

Item	Part No.	Quantity	Description
1	903708	2	Washer, Flat, 1"
2	—	2	Bushing - Included With Item 3
3	42.6008083	2	Sprocket (Used On G6060 & G6070 Only)
4	42.6008085	1	Shaft, Idle - Top (Used On G6060 & G6070 Only)
6	42.6008086	2	Spring, Compression (Used On G6060 & G6070 Only)
7	42.6008080	1	Bracket (Used On G6060 & G6070 Only)
8	42.6008087	4	Bolt, Adjuster, 1/2-13 x 12" (Used On G6060 & G6070 Only)
	907400	2	Bolt, Adjuster, 1/2-13 x 6" (Used On G6060 & G6070 Only)
9	900367	4	Nut, Hex, 7/16-14
11	42.6008088	4	Bearing, 2 Bolt Flange (Used On G6060 & G6070 Only)
12	42.1520773	2	Sprocket, Drive (Used On G6060 & G6070 Only)
13	09.72010	2	Pin, Roll, 3/8 x 2" (Used On G6060 & G6070 Only)
14	42.6008090	1	Shaft, Drive - Top (Used On G6060 & G6070 Only)
15	42.1541780	1	Motor, Hydraulic, 101-1751, 7.3 cu. in. (G6060 & G6070 Only)
15a	16.21179	1	Seal Kit, Hydraulic Motor
16	42.6008011	1	Mount, Hydraulic Motor (Used On G6060 & G6070 Only)
17	42.6008084	NLA	Conveyor, Complete - Split (Order 42.0900060)
	42.6008076	NLA	Conveyor Body Weldment (Order 42.0900060)
18	904871	4	Capscrew, Hex Hd. 7/16-14 x 1-1/4" Gr 5
19	900369	4	Nut, Hex 1/2-13
23	42.6008078	1	Chain, Split Conveyor - Short (Used On G6060 & G6070 Only)
	900703	AR	Link, CA550 Connector
	900709	AR	Link, CA550 Offset
24	42.6008077	1	Chain, Split Conveyor - Long (Used On G6060 & G6070 Only)
	900703	AR	Link, CA550 Connector
	900709	AR	Link, CA550 Offset
25	901937	12	Washer, Flat, 1/2"
26	903306	4	Capscrew, Hex Hd. 1/2-13 x 1-1/2"
27	42.6008104	2	Bracket, Adjusting & Mount (Used On G6060 & G6070 Only)
28	42.6008101	4	Sprocket, Idler, 1-3/8" (Used On G6060 & G6070 Only)
29	42.6008100	1	Guard, Conveyor Chain - Split (Used On G6060 & G6070 Only)
31	09.72010	4	Pin, Roll, 3/8 x 2"
32	42.6008094	1	Shaft, Conveyor - Lower (Used On G6060 & G6070 Only)
33	904871	4	Capscrew, Hex Hd. 7/16-14 x 1-1/4" Gr 5
34	907399	8	Nut, Hex Flange, 1/2-13 Nylock
35	42.6008095	1	Conveyor End, Adjusting (Used On G6060 & G6070 Only)
36	900367	4	Nut, Hex, 7/16-14
37	42.1510261	2	Bearing, 1-3/8" Flange (Used On G6060 & G6070 Only)
38	42.6008096	1	Door assembly, Conveyor w/Hooks (Used On G6060 & G6070 Only)
	42.6008004	1	Coupler, Conveyor Motor - Not Shown (G6060 & G6070 Only)
	42.6008013	1	Deflector, Conveyor - Not Shown (Used On G6060 & G6070 Only)
	42.6008052	1	Skirt, Conveyor, 20 x 60 - Not Shown (G6060 & G6070 Only)
	42.6008020	1	Strip, Conveyor Skirting Center - Not Shown (G6060 & G6070 Only)
	42.6008021	2	Strip, Conveyor Skirting Side - Not Shown (G6060 & G6070 Only)
	42.6008072	1	Guide, Conveyor Chain, Left - Not Shown (G6060 & G6070 Only)
	42.6008073	1	Guide, Conveyor Chain, Right - Not Shown (G6060 & G6070 Only)

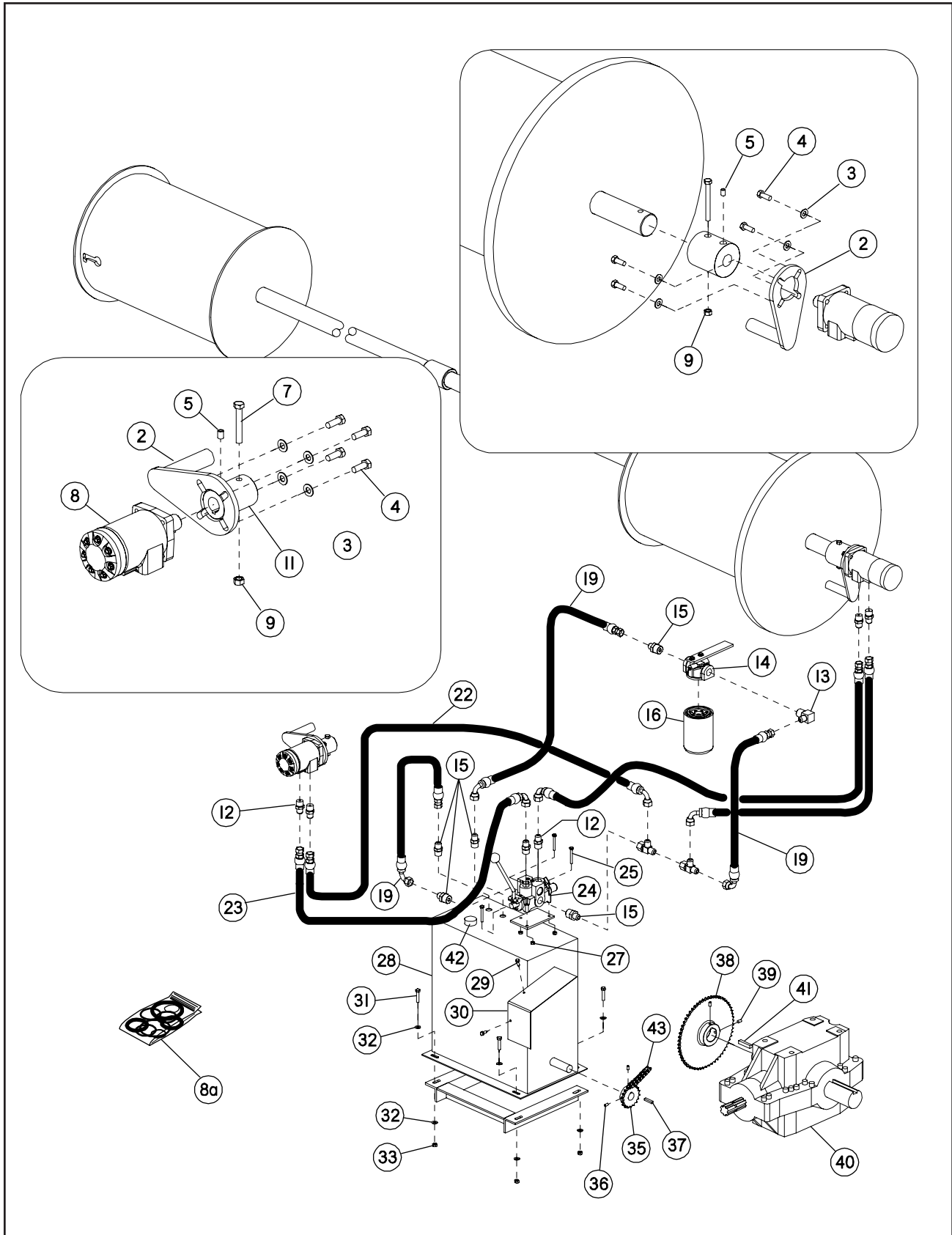
Backstop



Hydraulics - PB6000 & G6060A



Hydraulics Package Option - G6060B & G6070B

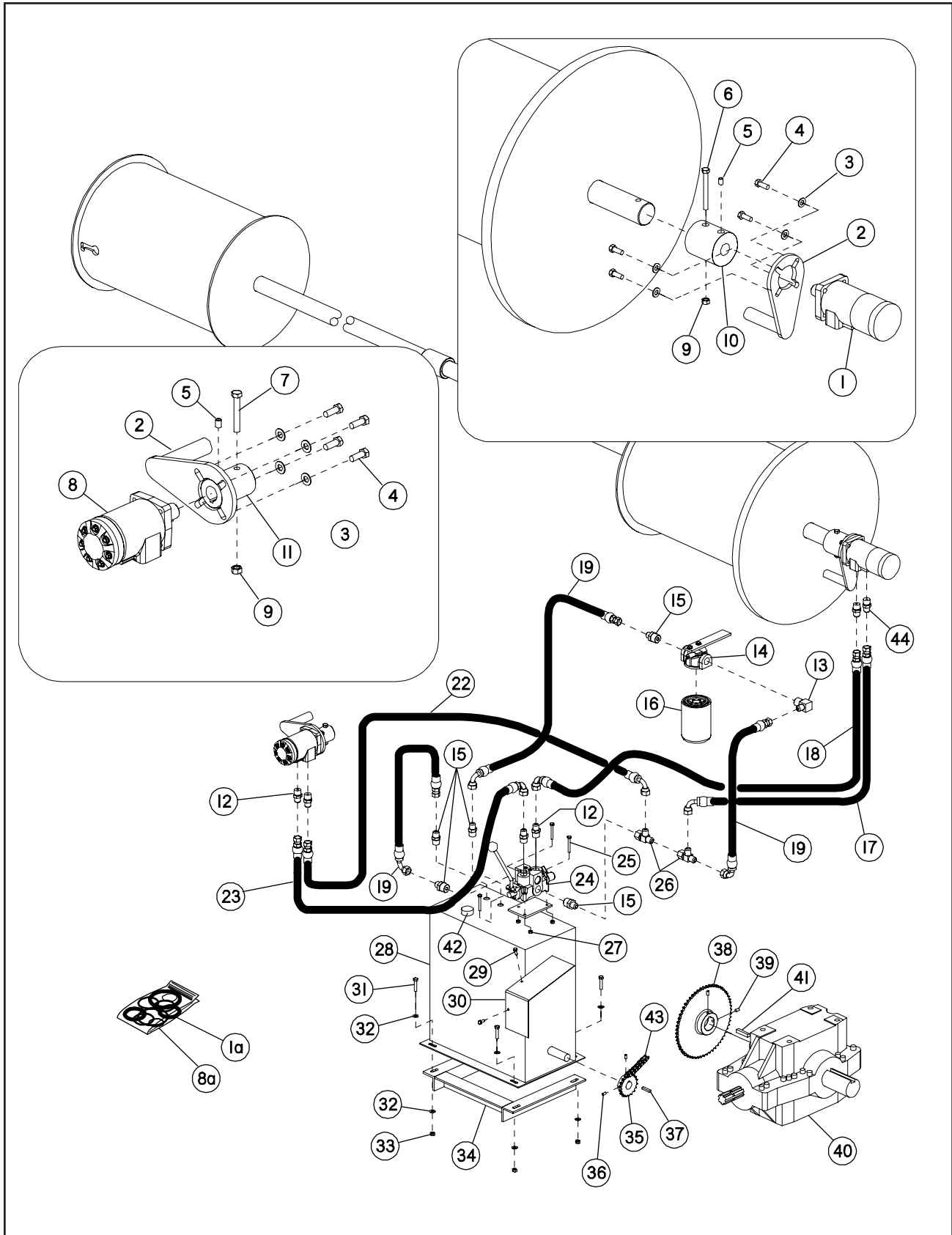




Hydraulics Package Option - G6060B & G6070B Parts List

Item	Part No.	Quantity	Description
2	42.6008011	1	Mount, Hydraulic Motor
3	900495	4	Washer, Flat, 3/8"
4	902300	4	Capscrew, Hex Hd. 3/8-16 x 1" Gr 5
5	905582	1	Setscrew, 3/8-16 x 1/2"
7	902884	1	Capscrew, Hex Hd. 3/8-16 x 2-1/2" Gr 5
8	42.1541780	1	Motor, Hydraulic, 101-1751, 7.3 cu. in.
8a	16.21179	1	Seal Kit, Hydraulic Motor
9	906400	1	Nut, Hex Lock, 3/8-16 Nylock
11	42.6008004	1	Coupling, Conveyor Motor
12	32.02101	4	Adapter
13	42.1541758	1	Fitting, Hydraulic
14	42.1541757	1	Base, Filter
15	42.1541759	1	Fitting, Hydraulic
16	42.1540167	1	Filter, Hydraulic Oil
19	42.0900965	3	Hose Assembly, 15"
22	42.0900963	1	Hose Assembly, 70"
23	42.0900964	1	Hose Assembly, 66"
24	42.1541648	1	Valve, Flow Control
	42.0900175	1	Handle Kit
	42.0900176	1	Seal Kit
	42.0900177	1	Relief Cartridge
	42.0900272	1	Knob, Handle
25	907614	3	Bolt, Button Hd. 1/4-20 x 1-1/2" Stainless Steel
27	907784	3	Nut, Hex Flange Lock, 1/4-20 Nylock
28	42.0900555	1	Pump, Hydraulic With Tank
	42.0900240	1	Pump Kit w/Reliefs
	42.0900395	1	Relief Valves (1 Set)
29	907120	2	Screw, Self Tap, 1/4-20 x 1"
30	42.6012003	1	Guard, Hydraulic Pump Chain
31	902920	4	Capscrew, Hex Hd. 5/16-18 x 1-1/2" Gr 5
32	904324	8	Washer, Flat, 5/16"
33	906483	4	Nut, Hex Lock, 5/16-18 Nylock
35	42.1520759	1	Sprocket
36	900441	2	Setscrew, 5/16-18 x 5/16"
37	901172	1	Key, 1/4 x 1/4 x 2"
38	42.1520760	1	Sprocket
39	905582	2	Setscrew, 3/8-16 x 1/2"
40	42.1520814	1	Gearbox
41	900561	1	Key, 3/8 x 3/8 x 1-1/2"
42	42.1500686	1	Cap, Breather, Williams Pump
43	42.1520761	1	Chain, Roller
	42.1520073	1	Link, Connector, #50
	42.1520091	AR	Link, Offset, #50

Hydraulics Package Option - G6060C

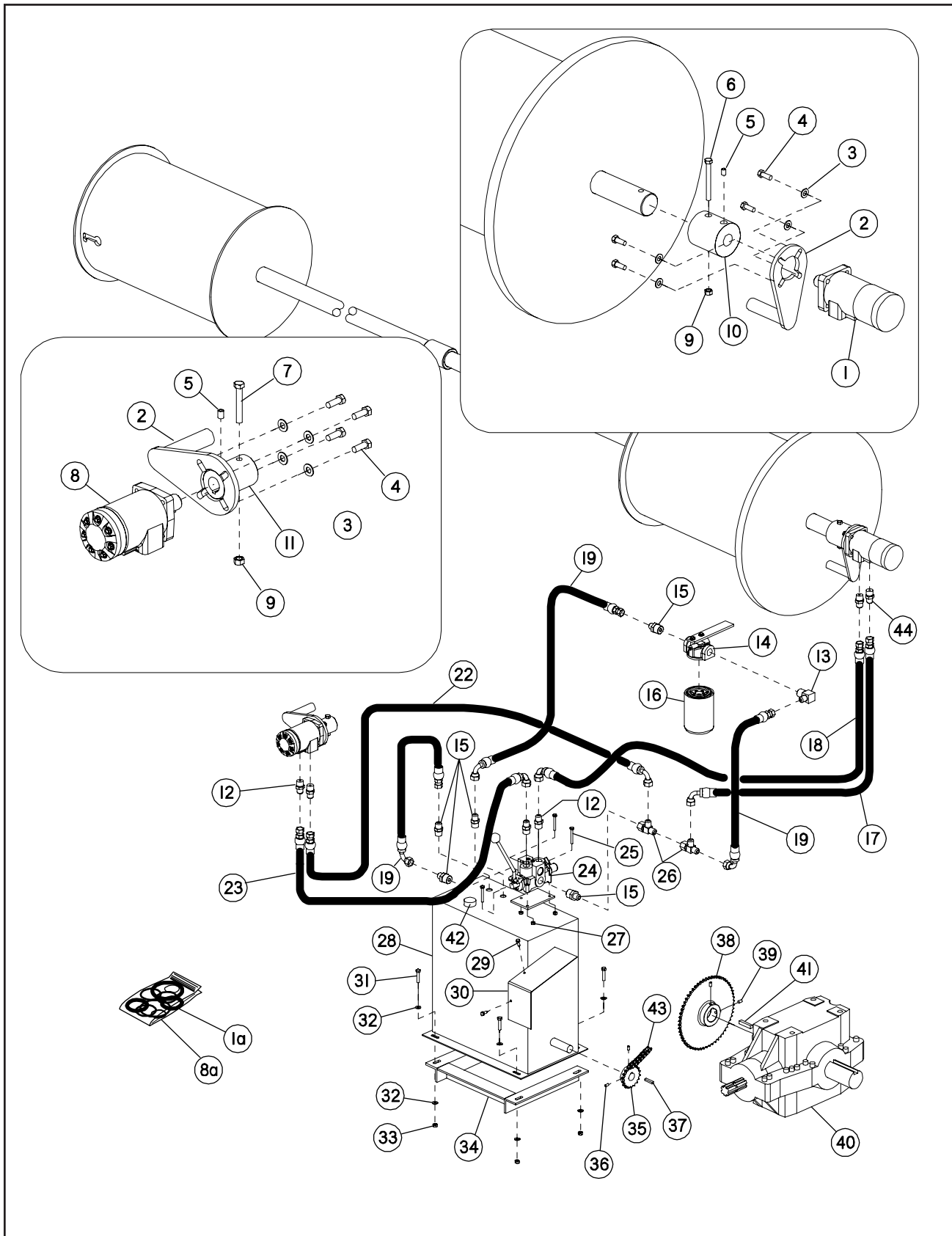




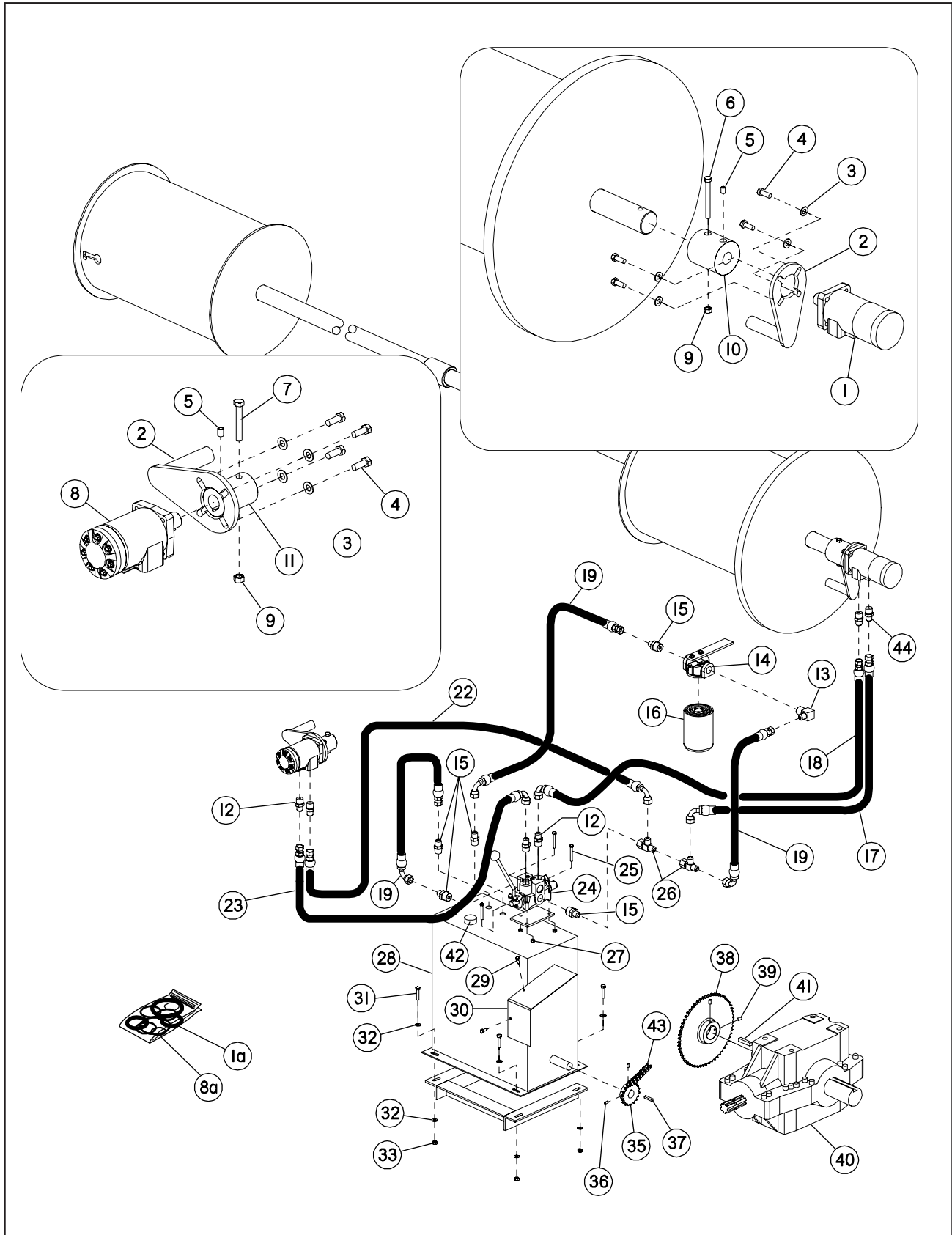
Hydraulics Package Option - G6060C Parts List

Item	Part No.	Quantity	Description
1	42.1541054	1	Motor, hydraulic, 101-1272-Pipe Thread, 23.8 cu. in.
1a	16.21179	1	Seal Kit, Hydraulic Motor
2	42.6008011	1	Mount, Hydraulic Motor
3	900495	4	Washer, Flat, 3/8"
4	902300	4	Capscrew, Hex Hd. 3/8-16 x 1" Gr 5
5	905582	1	Setscrew, 3/8-16 x 1/2"
6	904214	1	Capscrew, Hex Hd. 3/8-16 x 3-1/2" Gr 5
7	902884	1	Capscrew, Hex Hd. 3/8-16 x 2-1/2" Gr 5
8	42.1541780	1	Motor, Hydraulic, 101-1751, 7.3 cu. in.
8a	16.21179	1	Seal Kit, Hydraulic Motor
9	906400	1	Nut, Hex Lock, 3/8-16 Nylock
10	42.1030014	1	Coupling, Cable Rewind
11	42.6008004	1	Coupling, Conveyor Motor
12	32.02101	6	Adapter
13	42.1541758	1	Fitting, Hydraulic
14	42.1541757	1	Base, Filter
15	42.1541759	3	Fitting, Hydraulic
16	42.1540167	1	Filter, Hydraulic Oil
17	42.0900959	1	Hose Assembly, 99"
18	42.0900960	1	Hose Assembly, 108"
19	42.0900965	3	Hose Assembly, 15"
22	42.0900963	1	Hose Assembly, 70"
23	42.0900964	1	Hose Assembly, 66"
24	42.1541648	1	Valve, Flow Control
	42.0900175	1	Handle Kit
	42.0900176	1	Seal Kit
	42.0900177	1	Relief Cartridge
	42.0900272	1	Knob, Handle
25	907614	3	Bolt, Button Hd. 1/4-20 x 1-1/2" Stainless Steel
26	32.02033	2	Fitting, Hydraulic
27	907784	3	Nut, Hex Flange Lock, 1/4-20 Nylock
28	42.0900555	1	Pump, Hydraulic With Tank
	42.0900240	1	G2 Pump Only
	42.0900395	1	Relief Valves (1 Set)
29	907120	2	Screw, Self Tap, 1/4-20 x 1"
30	42.6012003	1	Guard, Hydraulic Pump Chain
31	902920	4	Capscrew, Hex Hd. 5/16-18 x 1-1/2" Gr 5
32	904324	8	Washer, Flat, 5/16"
33	906483	4	Nut, Hex Lock, 5/16-18 Nylock
34	42.6012001	1	Mount, Hydraulic Pump, Williams
35	42.1520759	1	Sprocket
36	900441	2	Setscrew, 5/16-18 x 5/16"
37	901172	1	Key, 1/4 x 1/4 x 2"
38	42.1520760	1	Sprocket
39	905582	2	Setscrew, 3/8-16 x 1/2"

Hydraulics Package Option - G6060C (continued)



Hydraulics Package Option - G6070C

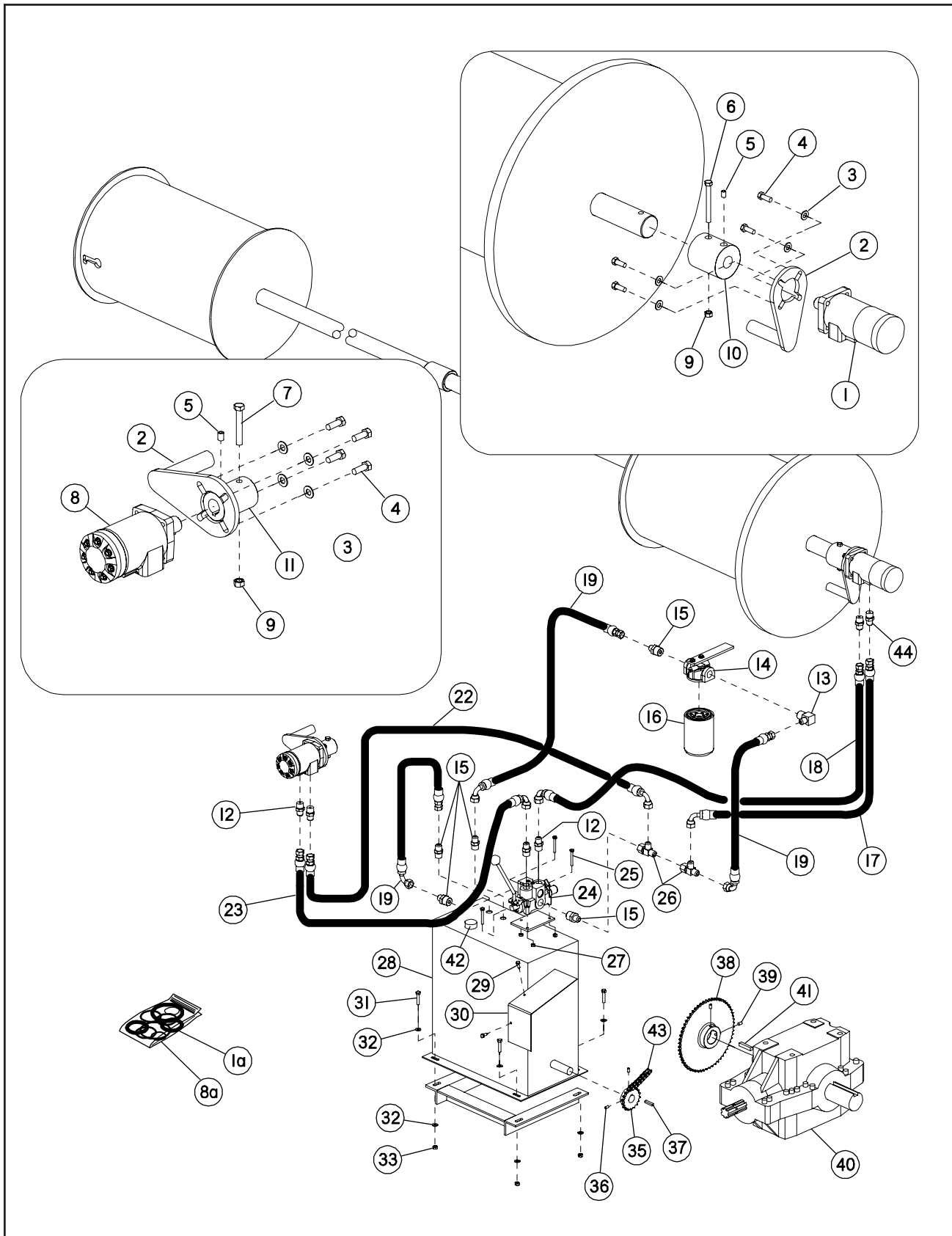




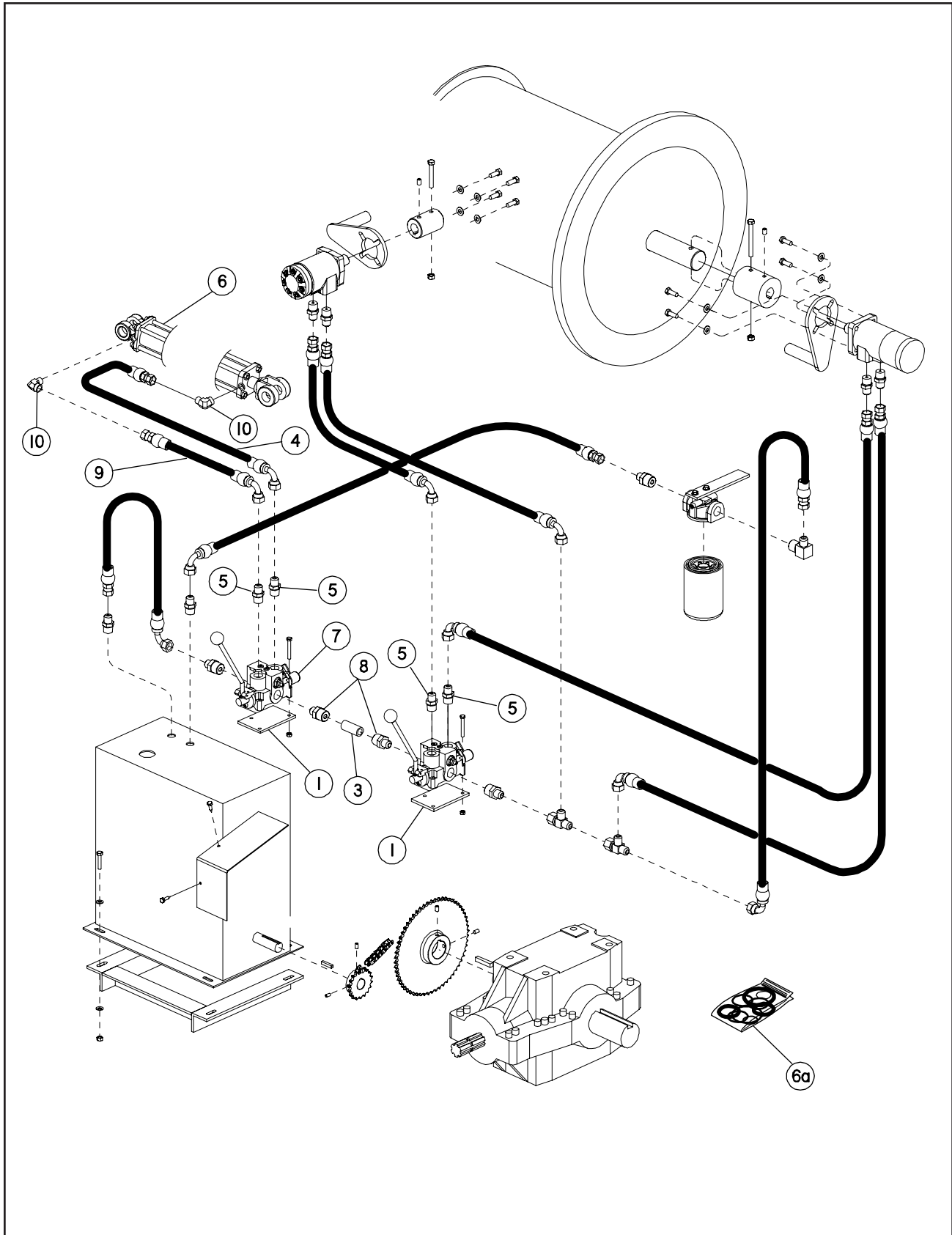
Hydraulics Package Option - G6070C Parts List

Item	Part No.	Quantity	Description
1	42.1541054	1	Motor, hydraulic, 101-1272-Pipe Thread, 23.8 cu. in.
1a	16.21179	1	Seal Kit, Hydraulic Motor
2	42.6008011	1	Mount, Hydraulic Motor
3	900495	4	Washer, Flat, 3/8"
4	902300	4	Capscrew, Hex Hd. 3/8-16 x 1" Gr 5
5	905582	2	Setscrew, 3/8-16 x 1/2"
6	904214	1	Capscrew, Hex Hd. 3/8-16 x 3-1/2" Gr 5
7	902884	1	Capscrew, Hex Hd. 3/8-16 x 2-1/2" Gr 5
8	42.1541780	1	Motor, Hydraulic, 101-1751, 7.3 cu. in.
8a	16.21179	1	Seal Kit, Hydraulic Motor
9	906400	1	Nut, Hex Lock, 3/8-16 Nylock
10	42.1030014	1	Coupling, Cable Rewind
11	42.6008004	1	Coupling, Conveyor Motor
12	32.02101	6	Adapter
13	42.1541758	1	Fitting, Hydraulic
14	42.1541757	1	Base, Filter
15	42.1541759	3	Fitting, Hydraulic
16	42.1540167	1	Filter, Hydraulic Oil
17	42.0900961	1	Hose Assembly, 120"
18	42.0900962	1	Hose Assembly, 132"
19	42.0900965	3	Hose Assembly, 15"
22	42.0900963	1	Hose Assembly, 70"
23	42.0900964	1	Hose Assembly, 66"
24	42.1541648	1	Valve, Flow Control
	42.0900175	1	Handle Kit
	42.0900176	1	Seal Kit
	42.0900177	1	Relief Cartridge
	42.0900272	1	Knob, Handle
25	907614	3	Bolt, Button Hd. 1/4-20 x 1-1/2" Stainless Steel
26	32.02033	2	Fitting, Hydraulic
27	907784	3	Nut, Hex Flange Lock, 1/4-20 Nylock
28	42.0900555	1	Pump, Hydraulic With Tank
	42.0900240	1	G2 Pump Only
	42.0900395	1	Relief Valves (1 Set)
29	907120	2	Screw, Self Tap, 1/4-20 x 1"
30	42.6012003	1	Guard, Hydraulic Pump Chain
31	902920	4	Capscrew, Hex Hd. 5/16-18 x 1-1/2" Gr 5
32	904324	8	Washer, Flat, 5/16"
33	906483	4	Nut, Hex Lock, 5/16-18 Nylock
35	42.1520759	1	Sprocket
36	900441	2	Setscrew, 5/16-18 x 5/16"
37	901172	1	Key, 1/4 x 1/4 x 2"
38	42.1520760	1	Sprocket
39	905582	2	Setscrew, 3/8-16 x 1/2"

Hydraulics Package Option - G6070C (continued)



Hydraulic Conveyor Lift - G6060 & G6070

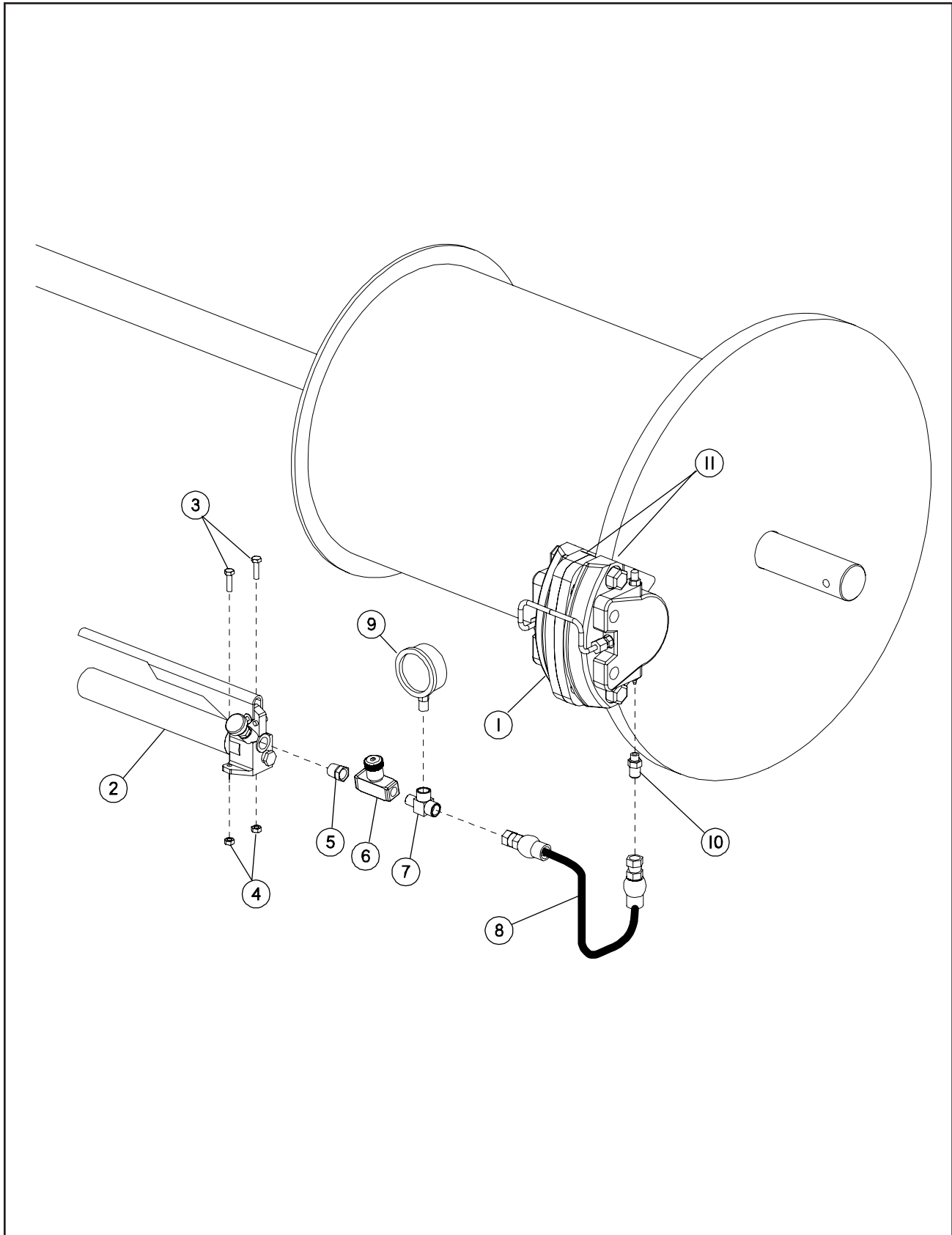




Hydraulic Conveyor Lift - G6060 & G6070 Parts List

Item	Part No.	Quantity	Description
1	42.1120006	2	Bracket, Valve Mount
2	42.1120035	1	Mount, Hydraulic Cylinder - Not Shown
3	42.1541192	1 (*)	Fitting, Hydraulic
4	42.1541616	1	Hose Assembly
5	32.02101	2	Adapter
6	42.1541755	1	Cylinder, Hydraulic
6a	42.1541947	1	Seal Kit, 1-1/16" (For Hydraulic Cylinder)
7	42.1541777	1	Valve, Hydraulic - Conveyor Lift
	42.1541899	1	Relief Valve - 1500 PSI
	42.1541648	1	Valve, Hydraulic - Conveyor Drive
	42.0900177	1	Relief Valve - 2100 PSI
8	42.1541782	2 (*)	Fitting, Hydraulic
9	42.1541806	1	Hose Assembly
10	42.1541893	2	Fitting, Hydraulic
	42.6008074	1	Mount, Hydraulic Cylinder - Not Shown
	42.2101001	2	Tubing - Not Shown
	42.1541973	1 (*)	Fitting, Hydraulic (This Item Replaces Items 3 & 8)

Single Cable Drum Brake Assembly

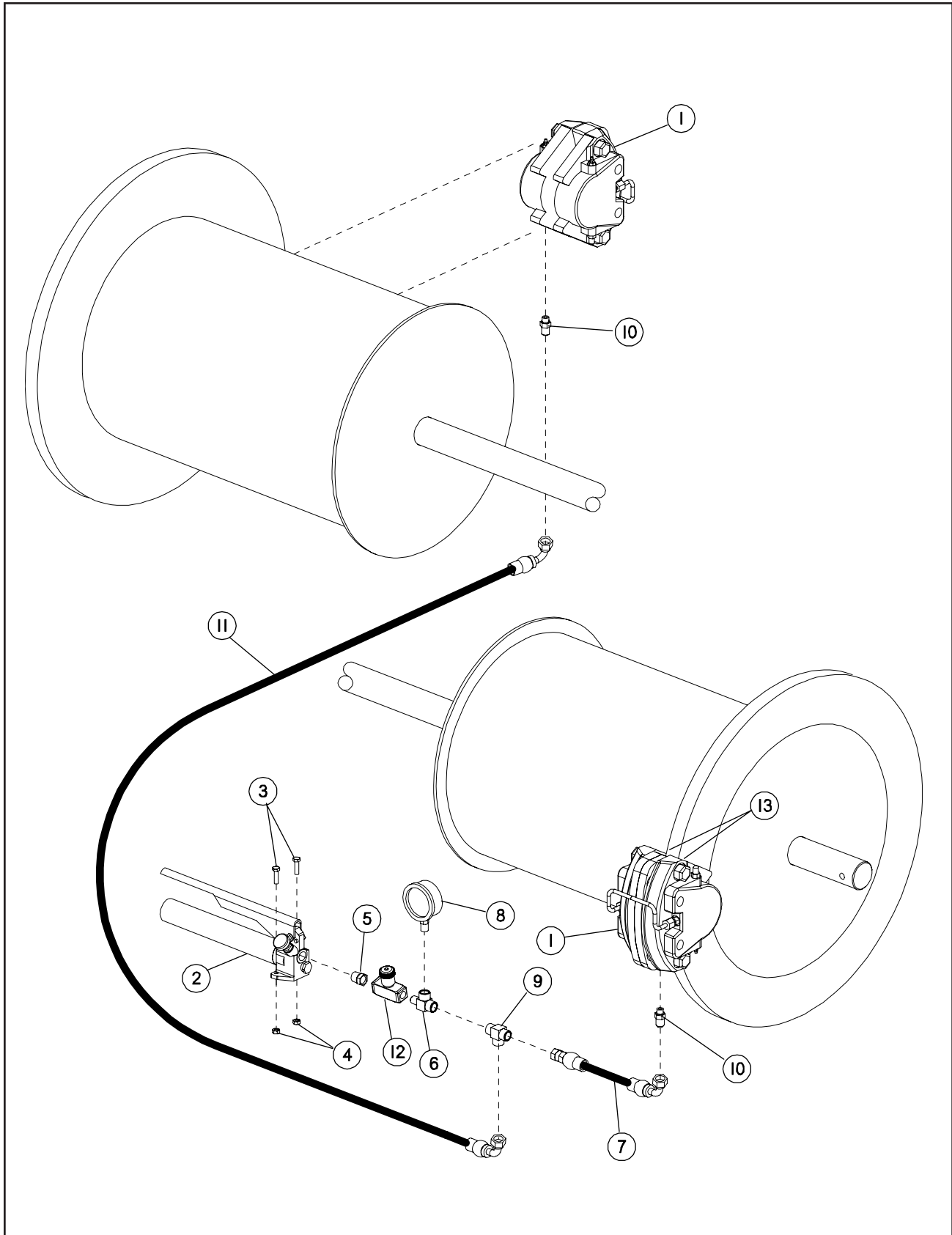




Single Cable Drum Brake Assembly Parts List

Item	Part No.	Quantity	Description
1	42.1501348	1	Brake, Mico Disk
	42.1500199	AR	Kit, Seal - Mico
2	42.0900040	1	Pump, Hand (Used On G6060 Only)
	42.1541231	1	Pump, Hand (Used On PB6000 Only)
3	903033	2	Capscrew, Hex Hd. 1/4-20 x 1" Gr 5
4	904092	2	Nut, Hex Lock, 1/4-20 Nylock
5	42.1542021	1	Adapter, 06 ORB x 1/4 NPT
	32.60001	1	Reducer (Used On PB6000 Only)
6	42.1541121	1	Valve, Needle
7	907146	1	Tee
8	42.1541282	1	Hose Assembly, Hydraulic Brake Pump (G6060 & PB6000 Only)
9	42.1500142	1	Gauge, Hydraulic Pressure
10	42.1541283	1	Fitting, Hydraulic
11	42.1500294	1 Set	Pad, Brake
	42.6003001	1	Bracket, Mico Brake - Not Shown
	42.6003004	1	Gusset - Not Shown

Double Cable Drum Brake Assembly

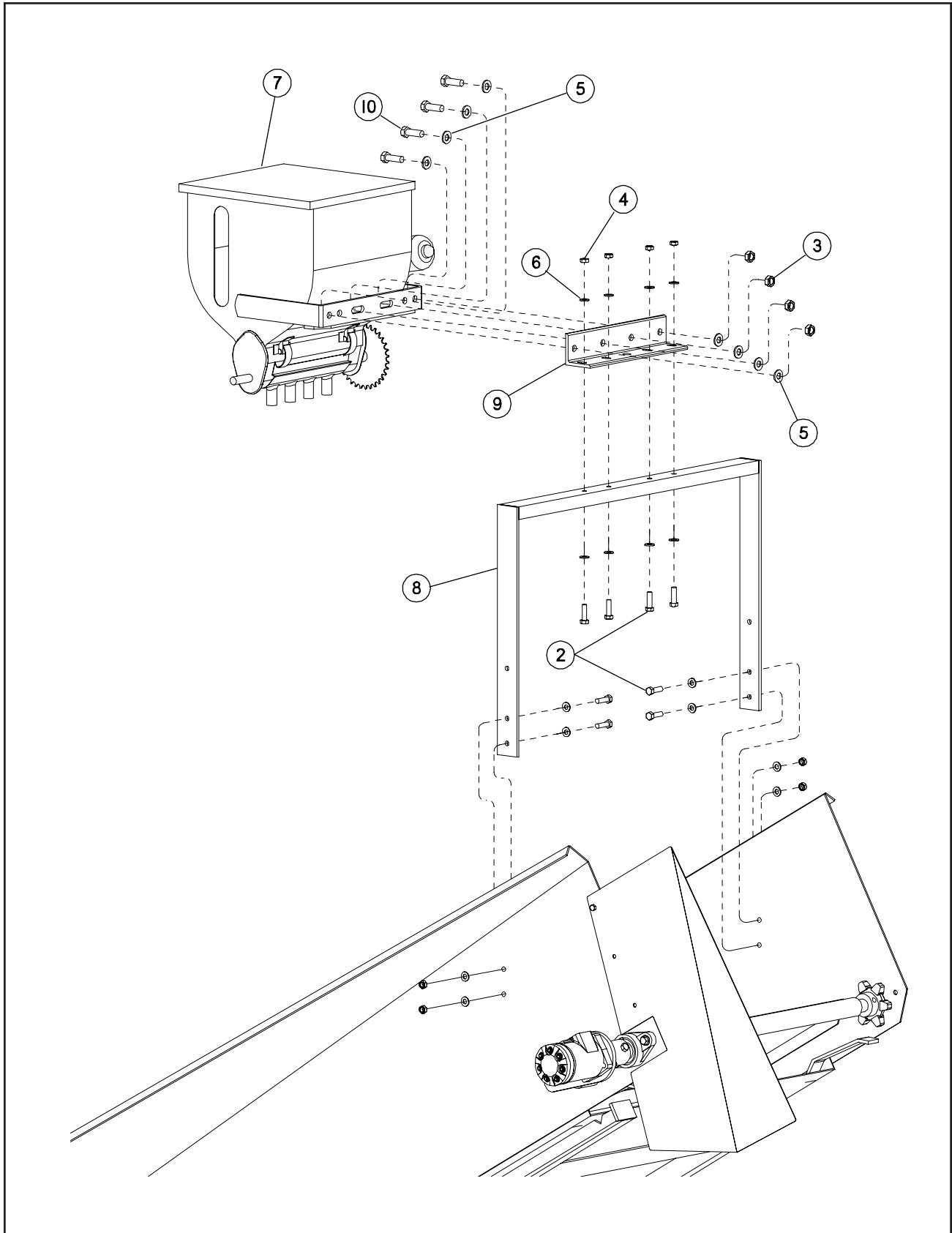




Double Cable Drum Brake Assembly Parts List

Item	Part No.	Quantity	Description
1	42.1501348	2	Brake, Mico Disk
	42.1500199	AR	Kit, Seal - Mico
2	42.0900040	1	Pump, Hand
3	903033	2	Capscrew, Hex Hd. 1/4-20 x 1" Gr 5
4	904092	2	Nut, Hex Lock, 1/4-20 Nylock
5	42.1542021	1	Adapter, 06 ORB x 1/4 NPT
6	907146	1	Tee
7	42.1541948	1	Hose Assembly, Hydraulic Brake (Used On G6070 Only)
8	42.1500142	1	Gauge, Hydraulic Pressure
9	42.1540734	1	Fitting, Hydraulic (Used On G6070 Only)
10	42.1541283	2	Fitting, Hydraulic (Used On G6070 Only)
11	42.1541949	1	Hose Assembly, Hydraulic Brake (Used On G6070 Only)
	42.1541404	1	Hose Kit - Consists Of: Items 7 & 11 (Used On G6070 Only)
12	42.1541121	1	Valve, Needle
13	42.1500294	1 Set	Brake Pad

Gandy

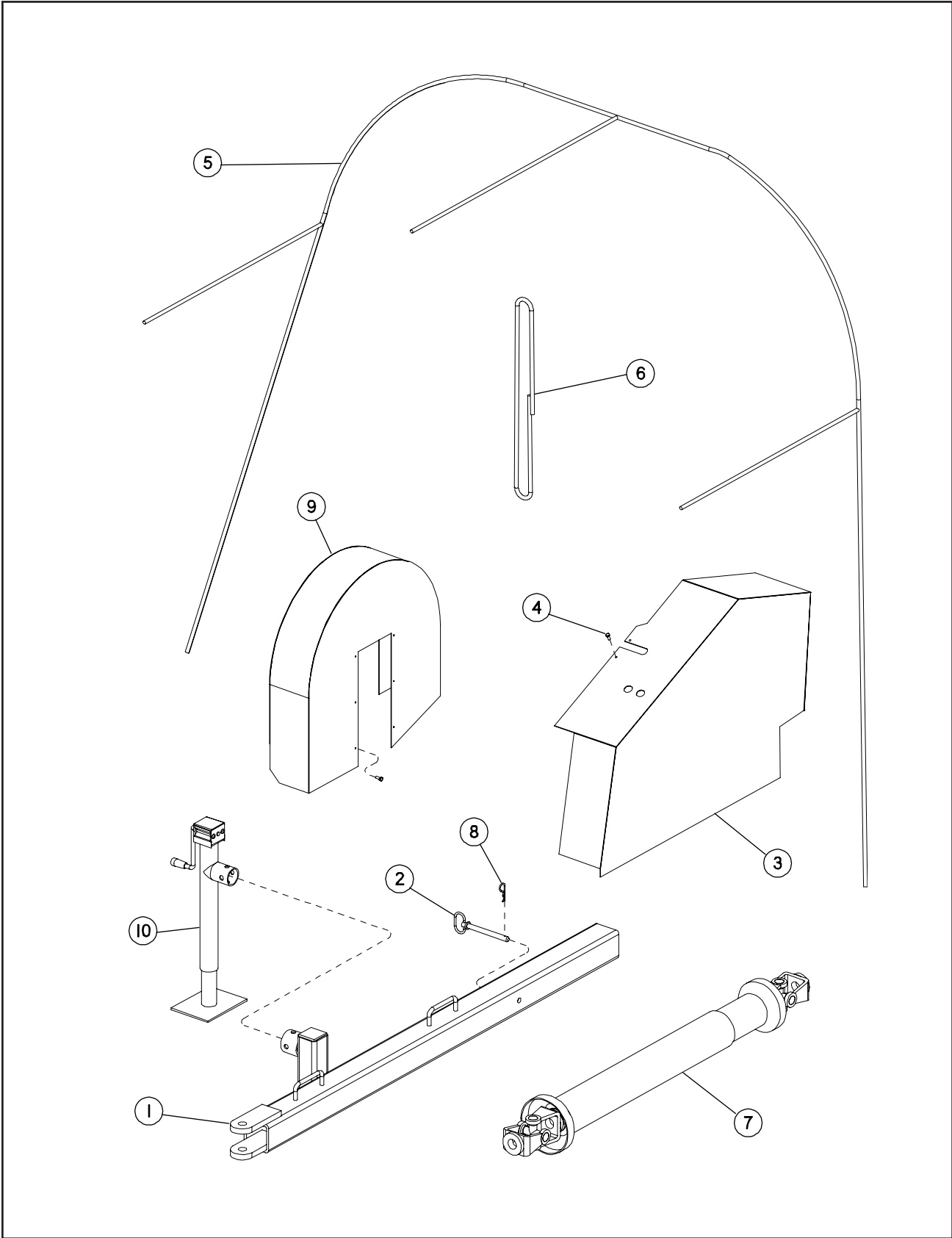




Gandy Parts List

Item	Part No.	Quantity	Description
2	902300	8	Capscrew, Hex Hd. 3/8-16 x 1" Gr 5
3	900369	4	Nut, Hex Lock, 1/2-13 Nylock
4	900366	8	Nut, Hex Lock, 3/8-16 Nylock
5	901937	8	Washer, Flat, 1/2"
6	900495	16	Washer, Flat, 3/8"
7	42.1500005	1	Gandy Applicator - 4 Hole (Used On G6060 & G6070 Only)
	42.1501621	1	Gasket, Bearing Retainer - Not Shown
	42.1501628	1	Bearing - Not Shown
	42.1501921	1	O-Ring, Rubber - Not Shown
	42.1501630	1	Retainer, Bearing - Not Shown
	42.1500472	1	Bottom/Slide, 4 Hole Straight Jumbo - Not Shown
	42.1500276	1	Motor, Electric w/Sprockets & Harness - Not Shown
	42.1500344	1	Rotor, Gandy Jumbo 10" Rubber - Not Shown
	42.1500004	1	Gandy Applicator - 2 Hole (Used On G6060 & G6070 Only)
	42.1501621	1	Gasket, Bearing Retainer - Not Shown
	42.1501628	1	Bearing - Not Shown
	42.1501921	1	O-Ring, Rubber - Not Shown
	42.1501630	1	Retainer, Bearing - Not Shown
	42.1500471	1	Bottom/Slide, 2 Hole Straight Jumbo - Not Shown
	42.1500276	1	Motor, Electric w/Sprockets & Harness - Not Shown
	42.1501629	1	Rotor, Gandy Jr 8" Rubber - Not Shown
8	42.6012006	1	Mount, Gandy Applicator (Used On G6060 & G6070 Only)
9	42.1120038	1	Bracket, Gandy Applicator
10	902928	4	Capscrew, Hex Hd. 1/2-13 x 1-1/4" Gr 5

Guards, Hitch, PTO & Miscellaneous Items










Guards, Hitch, PTO & Miscellaneous Items Parts List

Item	Part No.	Quantity	Description
1	42.6011009	1	Hitch, Field, 8-9 Ft (Used On G6060 & PB6000 Only)
	42.6011010	1	Hitch, Field, 10 Ft (Used On G6070 Only)
2	42.1550172	1	Pin, Hitch
3	42.6002031	1	Guard, Rotor Chain (Used On G6060 & PB6000 Only)
	42.6002040	1	Guard, Rotor Chain (Used On G6070 Only)
4	903524	8	Screw, Hex Hd. 1/4-20 x 3/4" Self Tapping
5	42.1560000	1	Bungee Cord, Tunnel
6	42.1560001	2	Bungee Cord, Bag Pan
	42.1560004	1	Kit, Bungee Cord (Consists Of Items 5 & 6)
7	42.0900041	1	Shaft, PTO - #6 U-Joint (Used On G6060 Only)
	42.1500875	1	Cross Kit - #6 U-Joint
	42.1501713	1	Shear Bolts, 10mm x 55 CI 8.8 (Pack Of 5)
	42.0900042	1	Shaft, PTO - #8 U-Joint (Used On G6070 Only)
	42.1501790	1	Cross Kit - #8 U-Joint
	42.0000482	1	Shear Bolts, 12mm x 65 CI 8.8 (Pack Of 5)
8	05.73120	1	Pin, Hair
9	42.6003030	1	Guard, Cable Drum Brake (Used On G6060 & PB6000 Only)
	42.6003030	2	Guard, Cable Drum Brake (Used On G6070 Only)
10	42.1501398	1	Jack, Manual, 15" Square Mount
			Miscellaneous Items
	42.1500893	AR	Valve, Bag Vent - Not Shown
	42.1500568	AR	Tool, Bag Vent - Not Shown
	42.1570001	AR	Spray Adhesive - Not Shown
	42.1500534	AR	Koster Moisture Tester - Not Shown
	42.1500523	18/Case	Repair Tape, 2" x 36 Yard Roll - Not Shown
	42.1500525	24/Case	Repair Tape, 3" x 36 Yard Roll - Not Shown
	42.1501331	18/Case	Repair Tape, 4" x 36 Yard Roll - Not Shown
	42.1500272	AR	Master Seal, 250 Ft Roll - Not Shown
	42.1500270	AR	Master Seal, 9.5 ft Lengths 4/Box - Not Shown
	42.1500267	AR	Master Seal, 14.5 ft Lengths 4/Box for 8 & 9 ft Bags - Not Shown
	42.1500268	AR	Master Seal, 17 ft Lengths 4/Box for 10 ft Bags - Not Shown
	42.1500269	AR	Master Seal, 20 ft Lengths 4/Box for 11 & 12 ft Bags - Not Shown
	42.1500273	AR	Master Seal Zip Tool - Not Shown
	42.00000	AR	Inoculant, Granular, 50 lb Bucket (treats 100 ton) - Not Shown
	42.00001	AR	Inoculant, Liquid 50 Ton Foil Pouch - Not Shown
	42.00002	AR	Inoculant, Liquid 250 Ton Foil Pouch for Inject. Sprayer - Not Shown
	42.1500473	1	Liquid Inoculant Applicator, 15 Gallon Sprayer - Not Shown
	42.1500474	1	Liquid Inoculant Applicator, 27 Gallon Sprayer - Not Shown
	42.1500475	1	Liquid Inoculant Applicator, 55 Gallon Sprayer - Not Shown
	42.1501207	1	Bird Netting, 30 x 100 Ft - Not Shown
	42.1501283	1	Bird Netting, 30 x 375 Ft - Not Shown
	42.1501208	1	Bird Netting, 30 x 500 Ft - Not Shown

Decals

⚠ DANGER		
		
FALL HAZARD Do NOT climb on or in. Moving parts can crush and cut. Falling into machine could result in serious injury or death. Read safety instructions in operator's manual before climbing on or into this equipment.		

1

	⚠ WARNING SKIN INJECTION HAZARD. Avoid contact with high pressure fluid. BEFORE SERVICING: Relieve stored hydraulic pressure. Failure to follow this warning can result in serious injury.	
---	--	---

2

	⚠ WARNING KEEP SHIELDS IN PLACE. Pinch hazard exists. DO NOT operate equipment unless shields are in place	
---	---	---

3

Decals (continued)

WARNING



It is your Responsibility to Read, Understand, and Follow safe operating practices defined in the Operators Manual shipped with this unit. Failure to do so may result in Personal Injury to you or others. If the manual is missing, obtain a replacement from you Dealer.

CAUTION



CHECK LUG NUTS.
Check Lug Nuts Regularly. Consult Operator's Manual for torque specifications.

CAUTION



MAXIMUM TOWING SPEED
25 MPH

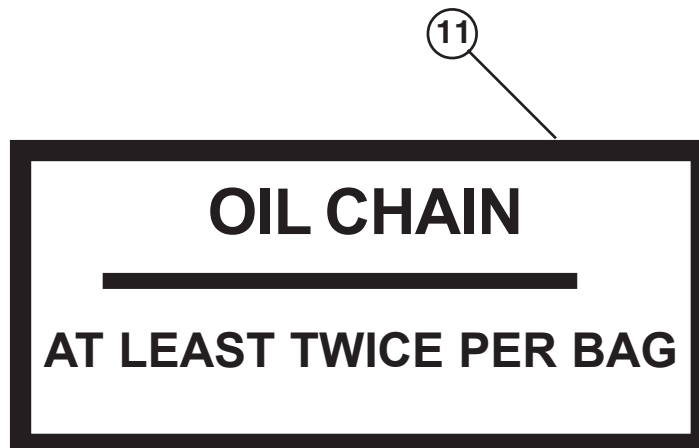
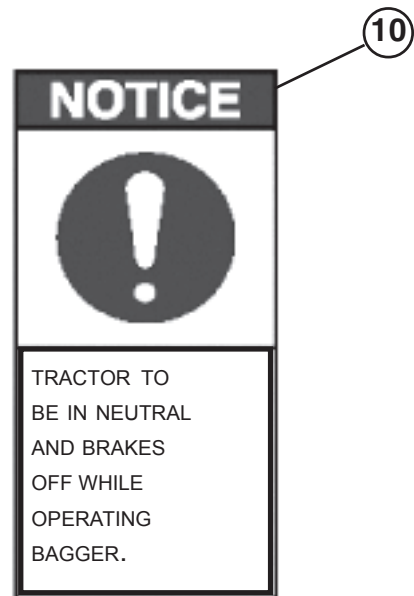
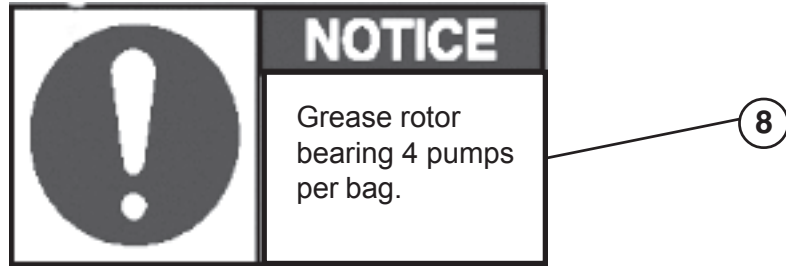
WARNING



**ROTATING DRIVELINE
KEEPAWAY.
KEEP SHIELD IN PLACE**

U-joint yokes must be locked in place. Adjust tractor or drawbar and implement hitch to proper dimensions. Keep tractor master shield, PTO guard, and implement guards in place.

Decals (continued)



Decals (continued)

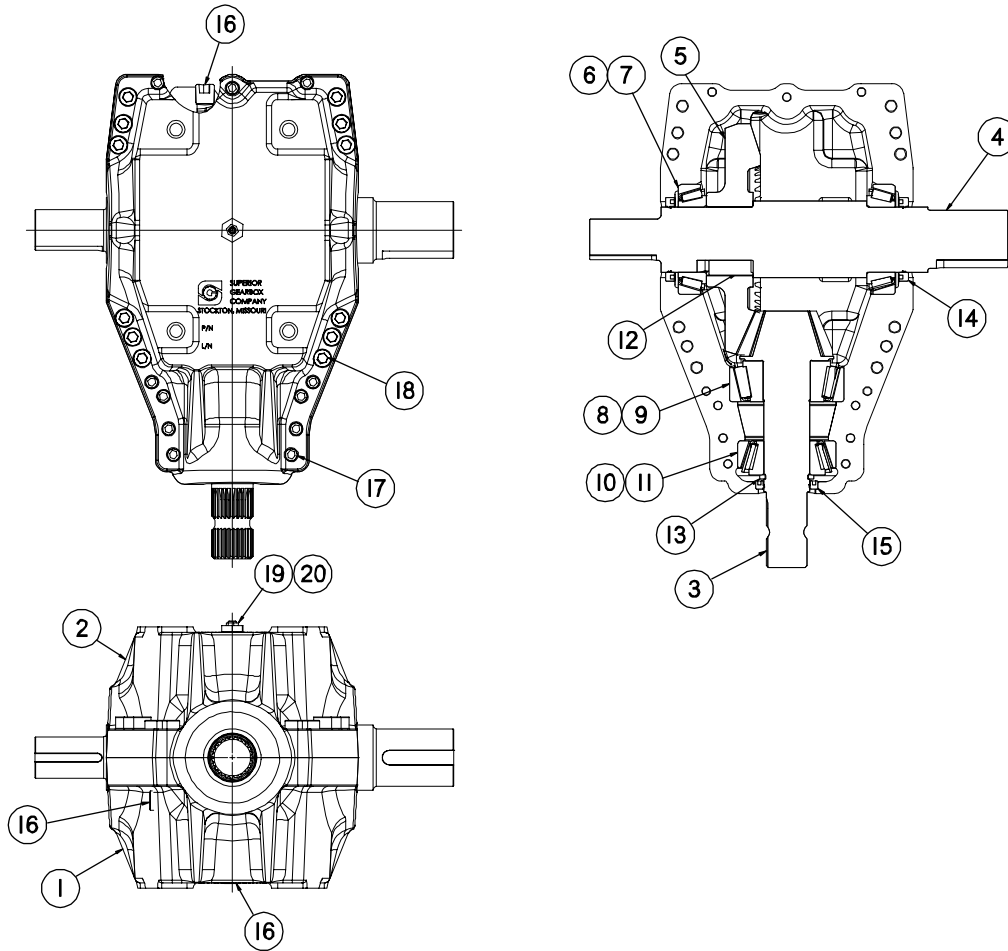


WARNING PRECAACION

1. DO NOT reach or place any part of your body inside the hopper.
NO TRATE de alcanzar o ponga ninguna parta del cuerpo adentro de la mezcladora.
2. DO NOT attempt to service, remove or unclog any material while machine is in operation.
NO TRATE de reparar, remover, o destapar material cuando la maquina esta en operacion.
3. DO NOT climb or ride on machine during operation or transport.
NO TREPE o monte la maquina cuando esta en operacion or transportando.
4. Make sure everyone is clear of machine BEFORE STARTING ENGINE OR ENGAGING POWER. KEEP CHILDREN AWAY AT ALL TIMES.
Haga seguro que nadie este en o ALREDEDOR DE LA MAQUINA ANTES QUE EL MOTOR ARRANQUE, MANTEGA NINOS LEJOS DE LA MAQUINA.
5. DO NOT stand behind backstop net or near cables under tension.
NO se pare detras de la malla o cerca de cables en tension.
6. STAY CLEAR of hoses under pressure.
MANTENGASE LEJOS de las mangas a presion.
7. Keep all SHIELDS IN PLACE.
Mantenga los ESCUDOS EN SU PROPIO LUGAR.
8. Keep HANDS, FEET AND CLOTHING AWAY FROM INTAKE AREA AND ALL OTHER MOVING PARTS OF MACHINE.
Mantenga las MANOS, PIES, Y ROPA FUERA DEL AREADE ADMISION.
9. Think SAFETY AND USE CAUTION in entire operation area.
SEA PRECAVIDOY SEA CUIDADOSO en la area de operacion.

12

Gearbox - Dual Output (G6060 & G6070)

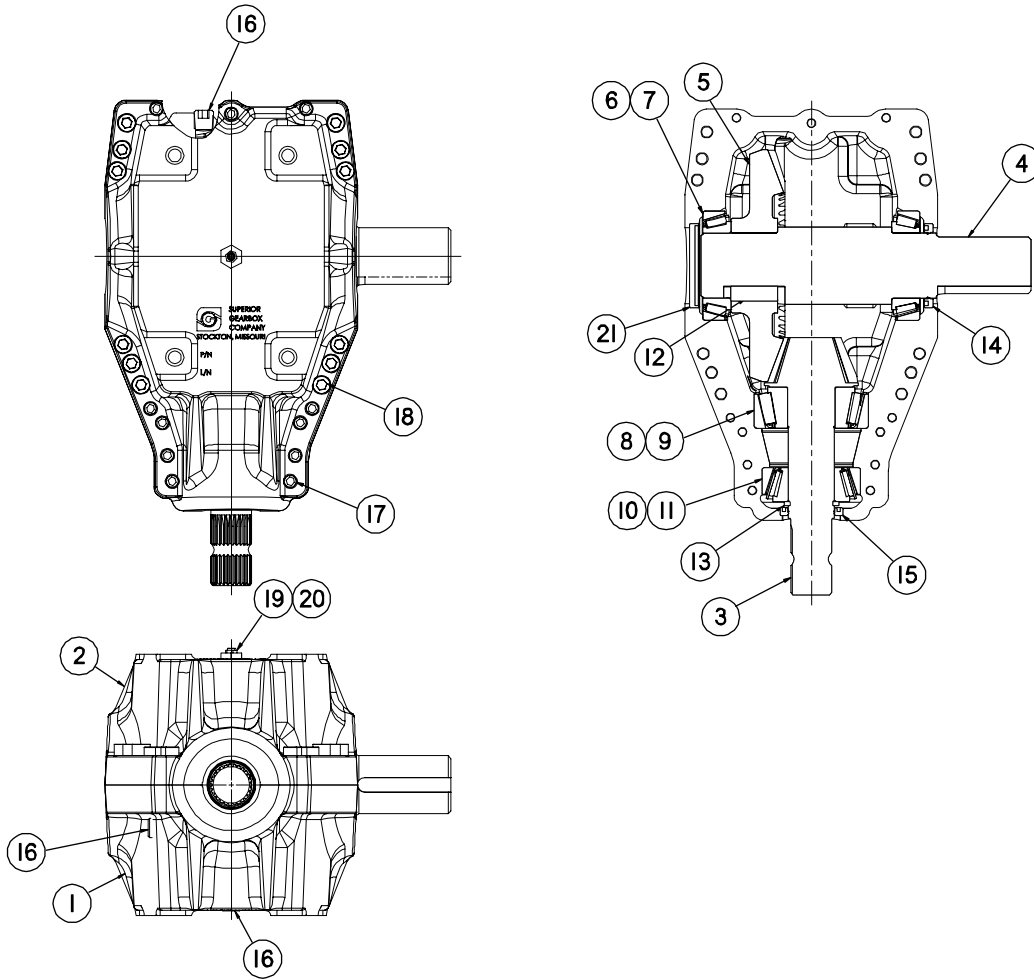




Gearbox - Dual Output (G6060 & G6070) Parts List

Item	Part No.	Quantity	Description
1	42.0000317	1	Housing, R700 TAP 1/2-14 Side
2	42.0000318	1	Housing, R700 THRU Improved
3	42.1520316	1	Pinion Gear
4	42.1500381	1	Shaft, Cross R700
5	42.1520774	1	Gear
6	42.1510215	2	Bearing Cup, 4.6250 VN-33462
7	42.1510214	2	Bearing Cone, 2.750 VN-33275
8	42.1510199	1	Bearing Cup, TMKN# 5535
9	42.1510059	1	Bearing Cone, TMKN# 5565
10	905456	1	Bearing Cup, 4.125 VN-HM807010
11	42.1510060	1	Bearing Cone, TMKN# HM807044
12	42.0901101	1	Key, 5/8 x 5/8 x 1.845
13	42.1500338	1	Retaining Ring, External, 1.938
14	42.1500356	2	Seal, 2.750 - 3.500 x .375
15	42.1500355	1	Seal, 1.937 - 2.623 x .312
16	903096	3	Plug, 1/2-14 NPT Socket Head
17	906385	11	Bolt, SHCS, 3/8-16 x 2-1/4"
18	907896	12	Bolt, SHCS, 1/2-13 x 2-1/4" Gr 8
19	904768	1	Bushing, 1/2 NPT To 1/8 NPT
20	906386	1	Plug, Vent, 5 psi
	42.1520814	1	Gearbox Complete

Gearbox - Single Output (PB6000)





Gearbox - Single Output (PB6000) Parts List

Item	Part No.	Quantity	Description
1	42.0000317	1	Housing, R700 TAP 1/2-14 Side
2	42.0000318	1	Housing, R700 THRU Improved
3	42.1520316	1	Pinion Gear
4	42.1500380	1	Shaft, Cross 700110
5	42.1520774	1	Gear
6	42.1510215	2	Bearing Cup, 4.6250 VN-33462
7	42.1510214	2	Bearing Cone, 2.750 VN-33275
8	42.1510199	1	Bearing Cup, TMKN# 5535
9	42.1510059	1	Bearing Cone, TMKN# 5565
10	905456	1	Bearing Cup, 4.125 VN-HM807010
11	42.1510060	1	Bearing Cone, TMKN# HM807044
12	42.0901100	1	Key, 5/8 x 5/8 x 1.945
13	42.1500338	1	Retaining Ring, External, 1.938
14	42.1500356	2	Seal, 2.750 - 3.500 x .375
15	42.1500355	1	Seal, 1.937 - 2.623 x .312
16	903096	3	Plug, 1/2-14 NPT Socket Head
17	906385	11	Bolt, SHCS, 3/8-16 x 2-1/4"
18	907896	12	Bolt, SHCS, 1/2-13 x 2-1/4" Gr 8
19	904768	1	Bushing, 1/2 NPT To 1/8 NPT
20	906386	1	Plug, Vent, 5 psi
21	907897	1	End Cap, CP - 3.500 x .375
	42.1520051	1	Gearbox Complete



Part Number Index

Part No.	Page	Part No.	Page	Part No.	Page
05.73120	3, 5, 45	42.0901100	57	42.1500523	45
09.71756	7	42.0901101	55	42.1500525	45
09.72010	17, 21	42.1010034	5	42.1500534	45
16.21179	17, 21, 25, 27, 29, 33	42.1020001	7	42.1500568	45
32.02101	27, 29, 33, 37	42.1020018	7	42.1500602	11, 13
32.02033	29, 33	42.1030014	29, 33	42.1500686	27, 31, 35
32.60001	39	42.1030017	9	42.1500875	45
42.00000	45	42.1030069	9	42.1500893	45
42.0000093	3	42.1060036	11, 13	42.1501207	45
42.0000094	3	42.1060039	11, 13	42.1501208	45
42.00001	45	42.1060085	11, 13	42.1501279	17
42.00002	45	42.1060160	23	42.1501283	45
42.0000317	55, 57	42.1090008	23	42.1501314	17
42.0000318	55, 57	42.1090014	23	42.1501318	17
42.0000482	45	42.1090026	23	42.1501324	19
42.0900040	39, 41	42.1090031	23	42.1501331	45
42.0900041	45	42.1090034	23	42.1501348	39, 41
42.0900042	45	42.1120006	37	42.1501374	5
42.0900056	7	42.1120035	37	42.1501398	45
42.0900061	3	42.1120038	43	42.1501517	19
42.0900062	3	42.1120218	19	42.1501518	7
42.0900165	5	42.1150171	5	42.1501519	19
42.0900174	7	42.1500004	43	42.1501521	17
42.0900175	27, 29, 33	42.1500005	43	42.1501611	19
42.0900176	27, 29, 33	42.1500142	39, 41	42.1501621	43
42.0900177	27, 29, 33, 37	42.1500182	5	42.1501628	43
42.0900181	5	42.1500199	39, 41	42.1501629	43
42.0900190	5	42.1500267	45	42.1501630	43
42.0900191	5	42.1500268	45	42.1501691	11, 13
42.0900192	5	42.1500269	45	42.1501713	45
42.0900240	27, 29, 33	42.1500270	45	42.1501790	45
42.0900272	27, 29, 33	42.1500272	45	42.1501921	43
42.0900349	3	42.1500273	45	42.1502063	5
42.0900371	7	42.1500276	43	42.1502069	5
42.0900373	15	42.1500294	39, 41	42.1502166	7
42.0900385	11	42.1500329	5	42.1510020	17
42.0900395	27, 29, 33	42.1500338	55, 57	42.1510044	9
42.0900397	11, 13, 17	42.1500344	43	42.1510047	9
42.0900447	3	42.1500355	55, 57	42.1510059	55, 57
42.0900549	3	42.1500356	55, 57	42.1510060	55, 57
42.0900554	17	42.1500377	5	42.1510199	55, 57
42.0900555	27, 29, 33	42.1500380	57	42.1510214	55, 57
42.0900581	7	42.1500381	55	42.1510215	55, 57
42.0900959	29	42.1500412	23	42.1510261	21
42.0900960	29	42.1500471	43	42.1520005	7
42.0900961	33	42.1500472	43	42.1520051	7, 57
42.0900962	33	42.1500473	45	42.1520068	7
42.0900963	27, 29, 33	42.1500474	45	42.1520073	27, 31, 35
42.0900964	27, 29, 33	42.1500475	45	42.1520086	7
42.0900965	27, 29, 33	42.1500483	7	42.1520091	27, 31, 35



Part Number Index (continued)

Part No.	Page	Part No.	Page	Part No.	Page
42.1520124	7	42.1541947	37	42.6006070	13
42.1520316	55, 57	42.1541948	41	42.6006071	13
42.1520318	17	42.1541949	41	42.6006072	13
42.1520664	7	42.1541973	37	42.6006073	13
42.1520756	7	42.1542021	39	42.6006074	13
42.1520757	7	42.1550136	5	42.6006075	13
42.1520759	27, 29, 33	42.1550172	3, 45	42.6006076	13
42.1520760	27, 29, 33	42.1550228	5	42.6006077	13
42.1520761	27, 31, 35	42.1550309	5	42.6006078	13
42.1520773	17, 19, 21	42.1550428	5	42.6006079	13
42.1520774	55, 57	42.1560000	45	42.6006080	13
42.1520814	7, 27, 31, 35, 55	42.1560001	45	42.6006081	13
42.1530011	49	42.1560004	45	42.6006084	13
42.1530015	47	42.1560005	23	42.6006085	13
42.1530028	51	42.1560006	23	42.6006086	13
42.1530038	47	42.1570001	45	42.6006087	13
42.1530041	49	42.1590024	17	42.6006088	11, 13
42.1530054	51	42.1590065	9	42.6006089	13
42.1530059	49	42.1590066	9	42.6006109	11
42.1530065	51	42.2101001	37	42.6006110	3
42.1530068	53	42.4070028	7	42.6006111	11
42.1530069	49	42.6000127	3	42.6006112	23
42.1530096	51	42.6002002	7	42.6006113	13
42.1530127	47	42.6002005	7	42.6006114	13
42.1540025	25	42.6002007	7	42.6006115	13
42.1540167	27, 29, 33	42.6002008	7	42.6006116	13
42.1540734	41	42.6002019	7	42.6008001	17
42.1540898	17, 25	42.6002028	7	42.6008003	19
42.1541054	29, 33	42.6002031	45	42.6008004	17, 21, 27, 29, 33
42.1541121	39, 41	42.6002033	7	42.6008006	17
42.1541192	37	42.6002039	7	42.6008007	17
42.1541231	39	42.6002040	45	42.6008011	17, 21, 25, 27
42.1541237	25	42.6003001	39		29, 33
42.1541282	39	42.6003004	39	42.6008013	17, 21
42.1541283	39, 41	42.6003013	9	42.6008018	17
42.1541404	41	42.6003014	9	42.6008020	17, 21
42.1541605	31, 35	42.6003018	9	42.6008021	17, 21
42.1541616	37	42.6003021	9	42.6008024	17
42.1541638	11, 13	42.6003024	9	42.6008027	17
42.1541648	27, 29, 33, 37	42.6003025	9	42.6008052	17, 21
42.1541755	37	42.6003028	9	42.6008058	19
42.1541757	27, 29, 33	42.6003030	45	42.6008072	19, 21
42.1541758	27, 29, 33	42.6006000	11, 13	42.6008073	19, 21
42.1541759	27, 29, 33	42.6006001	11, 13	42.6008074	37
42.1541777	37	42.6006005	11, 13	42.6008075	19
42.1541780	17, 21, 27, 29, 33	42.6006006	11, 13	42.6008076	21
42.1541782	37	42.6006012	11, 13	42.6008077	21
42.1541806	37	42.6006037	11, 13	42.6008078	21
42.1541893	37	42.6006039	11	42.6008080	21
42.1541899	37	42.6006063	23	42.6008083	21



Part Number Index (continued)

Part No.	Page	Part No.	Page	Part No.	Page
42.6008084	21	902300	11, 13, 17, 25, 27	907401	23
42.6008085	21		29, 33, 43	907465	15
42.6008086	21	902364	17	907467	15
42.6008087	21	902367	17	907614	27, 29, 33
42.6008088	17, 21	902410	5	907688	7
42.6008090	21	902532	25	907689	15
42.6008092	17	902675	11, 13	907725	7
42.6008093	17	902884	9, 11, 13, 17, 25	907757	5
42.6008094	21		27, 29, 33	907777	7
42.6008095	21	902920	27, 29, 33	907784	27, 29, 33
42.6008096	21	902928	9, 43	907896	55, 57
42.6008100	21	903033	17, 39, 41	907897	57
42.6008101	21	903096	55, 57		
42.6008104	21	903306	3, 19, 21		
42.6011009	45	903524	45		
42.6011010	45	903708	21		
42.6012001	29	903848	17		
42.6012003	27, 29, 33	903849	11, 13		
42.6012006	43	903855	11, 13		
42.6012007	3	904092	3, 17, 39, 41		
42.6012009	3	904214	29, 33		
42.6012010	3	904215	7		
42.6012011	3	904217	23		
900366	43	904253	7		
900367	21	904324	27, 29, 33		
900369	7, 17, 21, 43	904520	17		
900441	27, 29, 33	904674	17		
900444	17	904768	55, 57		
900445	25	904871	21		
900493	3, 17	905050	5		
900495	11, 13, 17, 27, 29	905401	9		
	33, 43	905448	9		
900496	7	905456	55, 57		
900497	7	905501	7		
900498	11, 13	905582	27, 29, 33		
900499	7	906339	7		
900508	7	906349	7, 23		
900537	17	906385	55, 57		
900561	27, 31, 35	906386	55, 57		
900703	17, 21	906400	9, 11, 13, 15, 17		
900709	17, 21		27, 29, 33		
901078	19	906401	3, 9, 11, 13, 17		
901150	5	906402	9, 11, 13, 17, 23		
901151	5	906483	27, 29, 33		
901172	27, 29, 33	907120	7, 27, 29, 33		
901181	5	907146	39, 41		
901182	5	907171	3		
901292	9	907391	15		
901619	11, 13	907399	21		
901937	11, 13, 17, 21, 43	907400	21		



© 2006 by Miller-St. Nazianz, Inc.